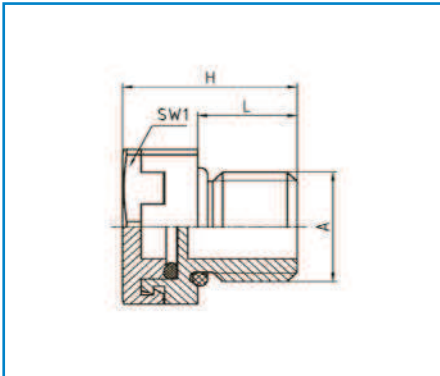


Venting element

GVPPA M/ML

Metric thread



Technical details

Body Polyamide PA6 V-0
 Membrane Polyether sulphone PES
 O-ring Nitrile rubber NBR
 Connecting thread metric as per EN 60423

GVPPA M/ML

Properties

- Protection for hermetically sealed electro-technical and electronic enclosures against condensation water from alternating temperature and pressure
- Continuous ventilation and adaption of the inner pressure
- Hydrophobic and oleophobic PES-membrane

Typical air flow 90 – 130 ml/min/cm² at p = 0,01 bar
 Water entry pressure > 1 bar
 Temperature range -40...+100 °C
 Protection grade IP66 / IP67 / IP69K

Order symbol	Code	EAN	A	L mm	SW1 mm	H mm	Pack
RAL 7035: Connecting thread: short							
GVPPA M12	7016702	6418074091314	M12 x 1,5	6	17	13,8	100
RAL 7035: Connecting thread: standard length							
GVPPA M12L	7016700	6418074091291	M12 x 1,5	10	17	17,8	100
RAL 9005: Connecting thread: standard length							
GVPPA M12L 9005	7016701	6418074091307	M12 x 1,5	10	17	17,8	100