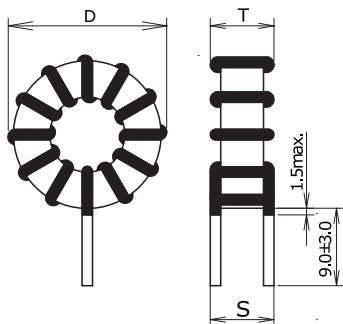


KEMET Part Number: PHBC14-1R2A0187V
(UALP141R2A0187)

KEMET, PHBC, AC Line Filters, Normal Mode, 187 uH, 20%



Dimensions

D	34mm MAX
T	19.4mm MAX
LL	9mm +/-3mm
S	15mm NOM

Packaging Specifications

Packaging:	Tray
Packaging Quantity:	120
Weight:	52 g

General Information

Series:	PHBC
Style:	Through-Hole
Features:	Switching Power Supply Outlet, DC-DC Converter, Phase Compensation, Noise Solution
RoHS:	Yes
Miscellaneous:	60 (K) Temperature Rise Max.

Specifications

Inductance:	187 uH (0.1 MHz)
Inductance Tolerance:	20%
Current:	8 A
Temperature Range:	-40/+125°C
DC Resistance:	37.6 mOhms