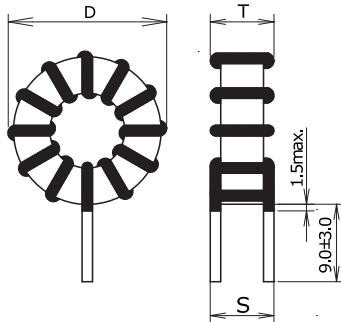


KEMET Part Number: PHBC10-0R8A0068V
(UALP100R8A0068)

KEMET, PHBC, AC Line Filters, Normal Mode, 68 uH, 20%



Dimensions

D	21.5mm MAX
T	12.3mm MAX
LL	9mm +/-3mm
S	8mm NOM

Packaging Specifications

Packaging:	Tray
Packaging Quantity:	240
Weight:	12 g

General Information

Series:	PHBC
Style:	Through-Hole
Features:	Switching Power Supply Outlet, DC-DC Converter, Phase Compensation, Noise Solution
RoHS:	Yes
Miscellaneous:	20 (K) Temperature Rise Max.

Specifications

Inductance:	68 uH (0.1 MHz)
Inductance Tolerance:	20%
Current:	3 A
Temperature Range:	-40/+125°C
DC Resistance:	42.3 mOhms