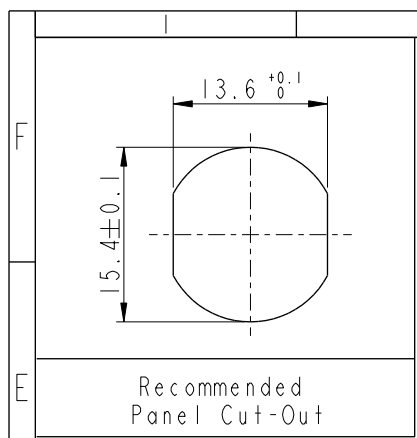
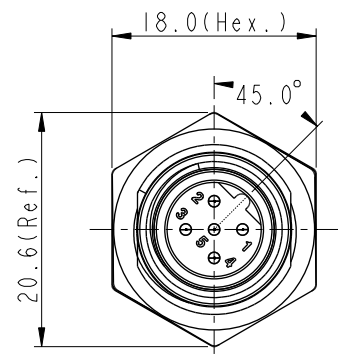
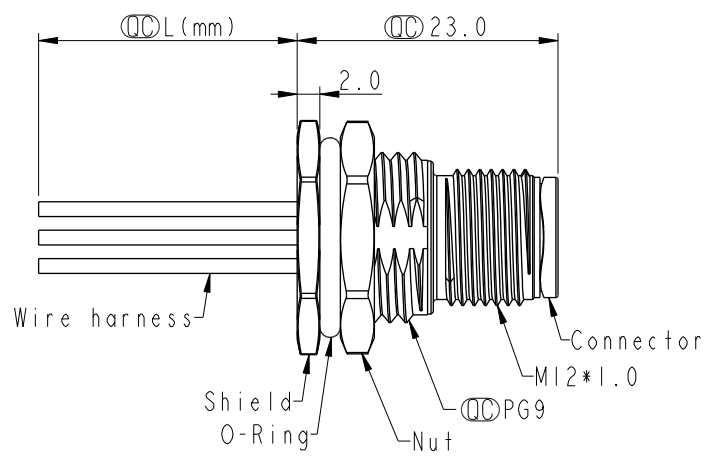
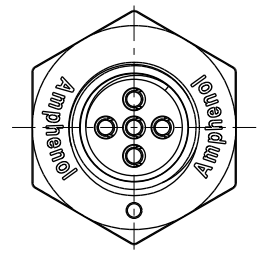


THIS DOCUMENT IS SUBJECT TO CHANGE WITHOUT NOTICE. IT IS CONFIDENTIAL AND A PROPERTY OF Amphenol LTW. DISCLOSURE TO THIRD PARTY HAS TO BE AUTHORIZED BY Amphenol LTW.

| REV. | ECN NO. | DATE | SIGN | DESCRIPTION |
|------|---------|------------|-------|-------------|
| D | C201473 | 2020/09/24 | Vicky | X3 |
| E | C210024 | 2021/01/12 | Vicky | X2 |
| F | C210593 | 2021/04/16 | Ruru | X3 |

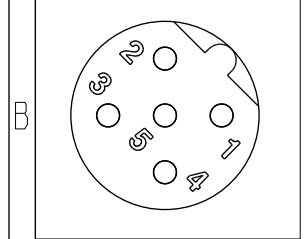


Recommended Panel Cut-Out



| | | |
|---|-------|---|
| 5 | Gray | 灰 |
| 4 | Black | 黑 |
| 3 | Blue | 藍 |
| 2 | White | 白 |
| 1 | Brown | 棕 |

| Pin # | Wire |
|-------|---------|
| | Pin Out |



Pin Assignments Front View

M12B-XXPMMC-SF8BXX
XX: No. Of Pin

- 10:100mm
- 15:150mm
- 20:200mm
- ∫
- 95:950mm
- Cable Pitch Unit=50mm
- A0:1000mm
- ∫
- A5:1500mm
- Cable Pitch Unit=100mm
- Wire Length (L):150~1500 mm

- Note:
- * RoHS Compliant
 - * Important dimension
 - * Waterproof rate: IPX8, unmated 1m/24h
 - * Connector
 - Housing: Thermoplastic, Black
 - Pin: Copper alloy, Gold plated
 - * Shield: Metal
 - * Nut: Metal
 - * O-Ring: Rubber, Black
 - * Wire harness: UL1061, 22AWG
 - * For panel thickness max: 4.5mm
 - * O-Ring and nut are assembled on connectors
 - * Wire harness tolerance: 100mm: ±10mm
 - 100mm < L ≤ 300mm: ±15mm
 - 300mm < L ≤ 1000mm: ±20mm
 - 1000mm < L ≤ 1500mm: ±50mm

| | | |
|-----------|------------|--|
| UNIT:mm | | |
| TOLERANCE | .X ±0.25 | |
| | .XX ±0.1 | |
| | .XXX ±0.05 | |
| ANGLES | ±1° | |

| | | | |
|---|----------------|-------------------|--|
| TITLE N SEN, M12 B, SCREW RECEPTACLE, M, M, FI/PANEL CRIMP | | | |
| SCALE 2:1 | SIZE A4 | SHEET 1 OF 1 | |
| REV. F | WC-REV. A.5 | : Inspection item | |

Amphenol LTW
安費諾亮泰企業股份有限公司

| | | | |
|----------|--------------------|------------|------------|
| ITEM NO | DWG NO | DRAWN BY | DATE |
| | M12B-XXPMMC-SF8BXX | Ruru | 2019-09-19 |
| CUSTOMER | APPROVED BY | CHECKED BY | DATE |
| ALTW | Max | Rita | 2019-09-19 |
| | | | 2019-09-19 |