

MODEL MLPS1 and MLPS2 - MICRO-LINE POWER SUPPLIES

- PROVIDES POWER FOR THE MICRO-LINE SERIES
- MLPS1: 12 VDC OUTPUT @ 400 mA
- MLPS2: 24 VDC OUTPUT @ 200 mA
- EASILY ATTACHED TO BACK OF DT8, CUB4 AND CUB5



UL Recognized Component,
 File # E179259




DESCRIPTION

The Model MLPS power supplies are designed to attach to the rear of the Micro-Line Series. The MLPS1 provides a 12 VDC output, while the MLPS2 provides a 24 VDC output. Both supplies can be powered from an 85-250 VAC source.


Caution: The maximum output current of the MLPS1 is 400 mA and the MLPS2 is 200 mA. Check the specifications of the specific counter(s)/indicator(s) and sensors(s) being used to ensure that total current requirements do not exceed the respective values of the power supplies.

SAFETY SUMMARY

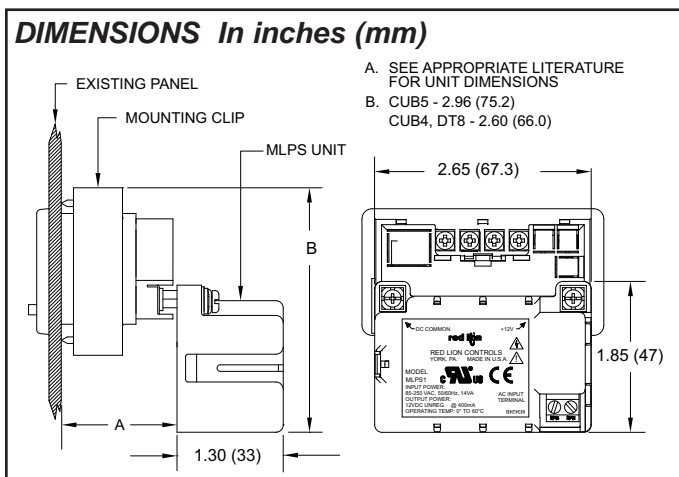
All safety related regulations, local codes and instructions that appear in the manual or on equipment must be observed to ensure personal safety and to prevent damage to either the instrument or equipment connected to it. If equipment is used in a manner not specified by the manufacturer, the protection provided by the equipment may be impaired.



CAUTION: Risk of Danger.
Read complete instructions prior to installation and operation of the unit.



CAUTION: Risk of electric shock.



ORDERING INFORMATION

MODEL NO.	DESCRIPTION	PART NUMBER
MLPS1	+12 VDC Micro Line/Sensor Power Supply	MLPS1000
MLPS2	+24 VDC Micro Line/Sensor Power Supply	MLPS2000

SPECIFICATIONS

- POWER REQUIREMENTS:** 85-250 VAC, 50/60 Hz, 14 VA.
- POWER OUTPUT:**
 MLPS1: +16 VDC max @ 4 mA; 11.5 VDC min @ 400 mA
 MLPS2: +26 VDC max @ 0 mA; 22 VDC min @ 200 mA
- ENVIRONMENTAL CONDITIONS:**
 Operating Temperature: 0 to 60°C
 Storage Temperature: -30 to 75°C
 Operating and Storage Humidity: 85% max. (non-condensing) from 0°C to 50°C.
 Altitude: Up to 2000 meters
- CERTIFICATIONS AND COMPLIANCES:**

SAFETY

UL Recognized Component, File # E179259, UL61010-1, CAN/CSA-C22.2 No. 61010-1
 Recognized to U.S. and Canadian requirements under the Component Recognition Program of Underwriters Laboratories, Inc.
 Output meets Class 2 power requirements per UL 1310.
 IECCE CB Scheme Test Report # E179259-V2-S1
 Issued by Underwriters Laboratories, Inc.
 IEC 61010-1, EN 61010-1: Safety requirements for electrical equipment for measurement, control, and laboratory use, Part 1.

ELECTROMAGNETIC COMPATIBILITY

Emissions and Immunity to EN 61326: Electrical Equipment for Measurement, Control and Laboratory use.

Immunity to Industrial Locations:

Test	Standard	Requirement
Electrostatic discharge	EN 61000-4-2	Criterion A 4 kV contact discharge 8 kV air discharge
Electromagnetic RF fields	EN 61000-4-3	Criterion A 10 V/m
Fast transients (burst)	EN 61000-4-4	Criterion A 2 kV power 1 kV signal
Surge	EN 61000-4-5	Criterion B 1 kV L-L, 2 kV L&N-E power 1 kV signal
RF conducted interference	EN 61000-4-6	Criterion A 3 V/rms
Voltage dip/interruptions	EN 61000-4-11	Criterion A 0.5 cycle
Emissions:	EN 55011	Class B

Notes:

1. Criterion A: Normal operation within specified limits.
2. Criterion B: Temporary loss of performance from which the unit self-recovers.
5. **CONSTRUCTION:** High impact black plastic. Mounting hardware included. Installation Category II, Pollution Degree 2.
6. **CONNECTION:** Two position terminal block which accepts one 14 AWG wire (torque terminal screws to 5 inch-lbs. [0.56 N-m]).
7. **WEIGHT:** 2 oz (47 g)

INSTALLATION ENVIRONMENT

The unit should be installed in a location that does not exceed the maximum operating temperature and provides good air circulation. Placing the unit near devices that generate excessive heat should be avoided.

Installation Procedure

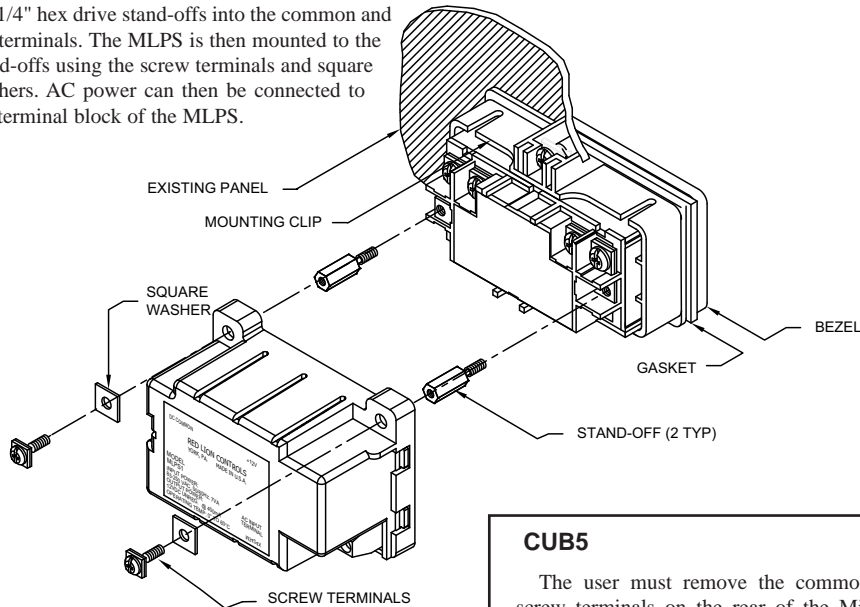
The MLPS is shipped with all the necessary hardware to mount to the rear of an installed Micro-Line unit. Refer to the instructions that correspond to your Micro-Line unit for proper installation.

TROUBLESHOOTING

For further technical assistance, contact technical support at the appropriate company numbers listed.

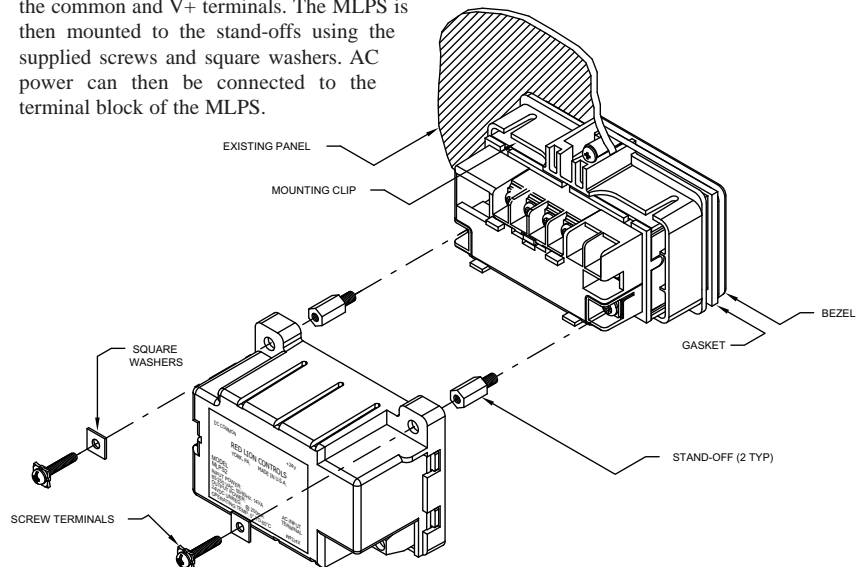
CUB4, DT8

The user must remove the common and V+ screw terminals on the rear of the Micro-Line unit. Install the 1/4" hex drive stand-offs into the common and V+ terminals. The MLPS is then mounted to the stand-offs using the screw terminals and square washers. AC power can then be connected to the terminal block of the MLPS.



CUB5

The user must remove the common and V+ screw terminals on the rear of the Micro-Line unit. Install the 3/16" hex drive stand-offs into the common and V+ terminals. The MLPS is then mounted to the stand-offs using the supplied screws and square washers. AC power can then be connected to the terminal block of the MLPS.



Red Lion Controls
Headquarters
20 Willow Springs Circle
York PA 17406
Tel +1 (717) 767-6511
Fax +1 (717) 764-0839

Red Lion Controls
Europe
Printerweg 10
NL - 3821 AD Amersfoort
Tel +31 (0) 334 723 225
Fax +31 (0) 334 893 793

Red Lion Controls
India
54, Vishvas Tenement
GST Road, New Ranip,
Ahmedabad-382480 Gujarat, India
Tel +91 987 954 0503
Fax +91 79 275 31 350

Red Lion Controls
China
Unit 101, XinAn Plaza
Building 13, No.99 Tianzhou Road
ShangHai, P.R. China 200223
Tel +86 21 6113-3688
Fax +86 21 6113-3683