

# XCKN2102G11

limit switch XCKN - plastic roller plunger - 1NC  
+1NO - snap - Pg11



## Main

|                               |                                      |
|-------------------------------|--------------------------------------|
| Range of product              | OsiSense XC                          |
| Series name                   | Standard format                      |
| Product or component type     | Limit switch                         |
| Device short name             | XCKN                                 |
| Sensor design                 | Compact form C                       |
| Body type                     | Fixed                                |
| Head type                     | Plunger head                         |
| Material                      | Plastic                              |
| Body material                 | Plastic                              |
| Head material                 | Plastic                              |
| Fixing mode                   | By the body                          |
| Movement of operating head    | Linear                               |
| Type of operator              | Spring return roller plunger plastic |
| Type of approach              | Lateral approach 2 directions        |
| Cable entry                   | 1 entry tapped for Pg 11 cable gland |
| Number of poles               | 2                                    |
| Contacts type and composition | 1 NC + 1 NO                          |
| Contacts operation            | Snap action                          |

## Complementary

|  |  |
|--|--|
| Switch actuation                       | By 30° cam   |
| Electrical connection                  | Screw-clamp terminals, clamping capacity: 1 x 0.34...2 x 1.5 mm <sup>2</sup>   |
| Contacts insulation form               | Zb   |
| Positive opening                       | With   |
| Positive opening minimum force         | 20 N   |
| Minimum force for tripping             | 12 N   |
| Maximum actuation speed                | 0.3 m/s  |
| Contact code designation               | R300, DC-13 (U <sub>e</sub> = 250 V, I <sub>e</sub> = 0.1 A) conforming to EN/IEC 60947-5-1 appendix A<br>A300, AC-15 (U <sub>e</sub> = 240 V, I <sub>e</sub> = 3 A), I <sub>the</sub> = 10 A conforming to EN/IEC 60947-5-1 appendix A  |
| [Ui] rated insulation voltage          | 300 V conforming to CSA C22.2 No 14<br>500 V degree of pollution 3 conforming to IEC 60947-1<br>300 V conforming to UL 508   |
| [Uimp] rated impulse withstand voltage | 6 kV conforming to IEC 60947-1<br>6 kV conforming to IEC 60664   |
| Short circuit protection               | 10 A cartridge fuse type gG  |
| Electrical durability                  | 5000000 cycles, DC-13, 48 V, 7 W, operating rate: ≤ 60 cyc/mn, load factor: 0.5 conforming to IEC 60947-5-1 appendix C<br>5000000 cycles, DC-13, 24 V, 10 W, operating rate: ≤ 60 cyc/mn, load factor: 0.5 conforming to IEC 60947-5-1 appendix C<br>5000000 cycles, DC-13, 120 V, 4 W, operating rate: ≤ 60 cyc/mn, load factor: 0.5 conforming to IEC 60947-5-1 appendix C |
| Mechanical durability                  | 10000000 cycles  |
| Width                                  | 30 mm  |
| Height                                 | 85 mm  |

The information provided in this documentation contains general descriptions and/or technical characteristics of the performance of the products contained herein. This documentation is not intended as a substitute for and is not to be used for determining suitability or reliability of these products for specific user applications. It is the duty of any such user or integrator to perform the appropriate and complete risk analysis, evaluation and testing of the products with respect to the relevant specific application or use thereof. Neither Schneider Electric Industries SAS nor any of its affiliates or subsidiaries shall be responsible or liable for misuse of the information contained herein.

|                               |                        |
|-------------------------------|------------------------|
| Depth                         | 30 mm                  |
| Product weight                | 0.145 kg               |
| Terminals description ISO n°1 | (13-14)NO<br>(21-22)NC |

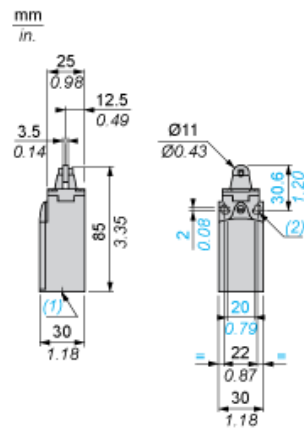
## Environment

|  |   |
|--|---|
| Shock resistance                           | 50 gn (duration = 11 ms) conforming to IEC 60068-2-27                                   |
| Vibration resistance                       | 25 gn (f = 10...500 Hz) conforming to IEC 60068-2-6                                     |
| IP degree of protection                    | IP65 conforming to IEC 60529  |
| IK degree of protection                    | IK04 conforming to EN 50102   |
| Class of protection against electric shock | Class II conforming to NF C 20-030<br>Class II conforming to IEC 61140                  |
| Ambient air temperature for operation      | -25...70 °C   |
| Ambient air temperature for storage        | -40...70 °C   |
| Protective treatment                       | TC  |
| Product certifications                     | CCC<br>CSA<br>UL  |
| Standards                                  | EN 60204-1<br>EN 60947-5-1<br>IEC 60204-1<br>IEC 60947-5-1<br>UL 508<br>CSA C22.2 No 14 |

## Offer Sustainability

|                                  |   |
|----------------------------------|---|
| Sustainable offer status         | Green Premium product   |
| RoHS (date code: YYWW)           | Compliant - since 0953 - <a href="#">Schneider Electric declaration of conformity</a> |
| REACH                            | Reference not containing SVHC above the threshold                                     |
| Product environmental profile    | Available <a href="#">Download Product Environmental</a>                              |
| Product end of life instructions | Need no specific recycling operations   |

Dimensions



- (1) 1 tapped entry for Pg 11 cable gland
- (2) Ø: 2 elongated holes Ø 4.3 x 6.3 on 22 mm centres, 2 holes Ø 4.3 on 20 mm centres.

---

Mounting with Cable Entry

---

Position of Cable Gland



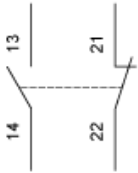
- (1) Recommended
- (2) To be avoided

---

## Wiring Diagram

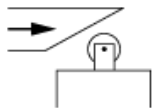
---

2-pole NC + NO Snap Action

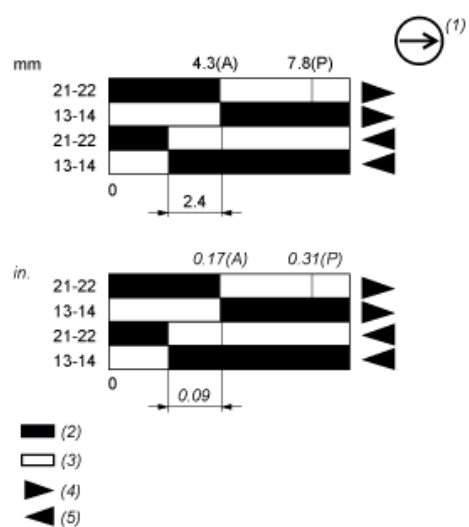


Characteristics of Actuation

Switch Actuation by 30° Cam



Functionnal Diagram



- (P) Positive opening point
- (A) Cam displacement
- (1) NC contact with positive opening operation
- (2) Closed
- (3) Open
- (4) Tripping
- (5) Resetting