

swiss made 

 ideal-tek s.a.
manufacturer of high precision tools and instruments

ergo-tek



ISO 9001
BUREAU VERITAS
Certification 



Ideal-tek has been always known as an innovative company and, in the last few years, thanks to an intensive co-operation with Universities, has been able to turn market needs and ideas into innovative and unique products.

Our NEW ergo-tek cutters and pliers line is the result of the co-operation with POLIMI's usability Lab in Milan.

[click here to download the Paper Abstract](#)





2-Component ESD-safe user-friendly
Ergonomic handles with a soft comfortable
gripping surface.

For every handles production lot
Ideal-Tek performs the following test:

- point to point resistance
- surface resistance
- decay time analysis





High quality ball bearing steel

- 45 Rockwell Hardness (HRC) for pliers
- 63 Rockwell Hardness for cutters

Pyrometer controlled inductive hardening

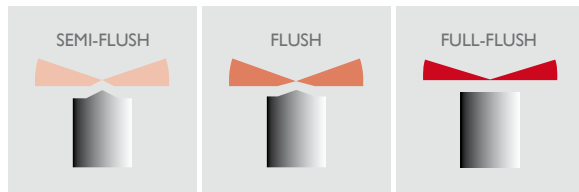
Superior no-scratch/antiglare satin finish

For every single production lot Ideal-Tek performs **metallographic and hardness profile analysis**.





Cutting blades definition



Wire definition

- SOFT wire, copper, aluminium, tensile strength 250 MPa
- MEDIUM-HARD wire, stainless steel wire, material 1.4301, tensile strength 800 MPa
- HARD wire, stainless steel wire, material 1.4301, tensile strength 1800 MPa

100% visual inspection





- Dual leaf springs made of stainless steel
- Lap joint with screw, to achieve a high level of strength and precision
- Nuts made of hardened alloy steel to resist high cutting load
- Fine-pitched screw for perfect joint adjustment
- Perfect symmetry





The application engineering of the Ideal-Tek factory will conduct test cutting and cutting evaluations at no charge upon the receipt of test wire samples. We also provide free cutter model recommendations.

In order to preserve your cutters perfectly efficient keep a thin oil film on the tips head.

[click here to see the maintenance \(VIDEO\)](#)





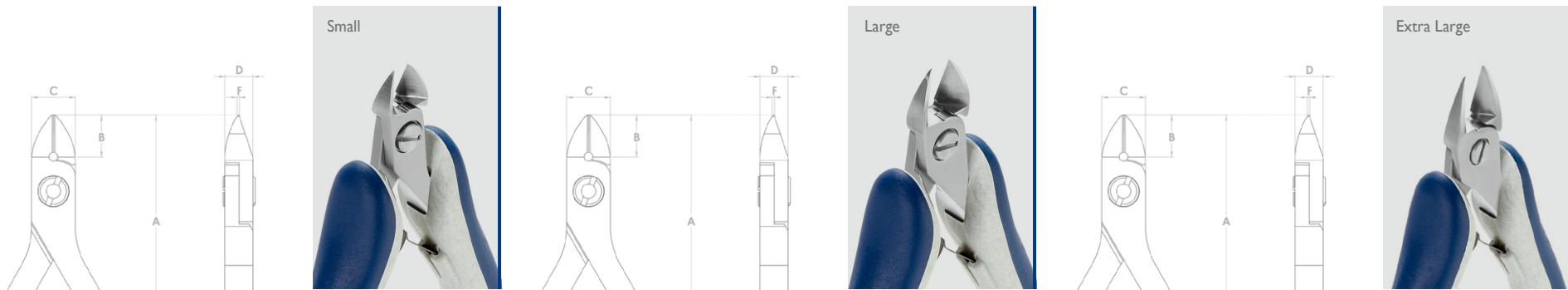
CUTTERS

- Oval
- Tapered
- Tapered & Relieved
- Wire Lead Catchers
- Special

PLIERS

- Snipe Nose
- Flat & Round Nose



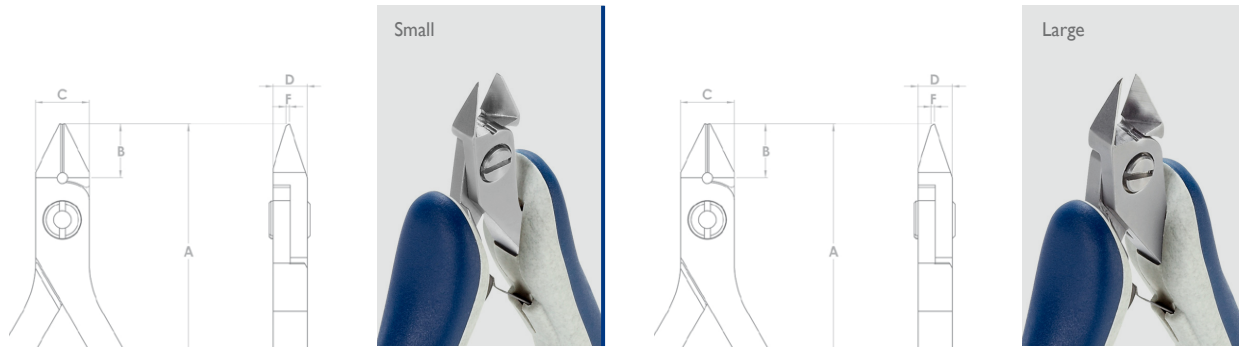


Small robust, slim shape, an optimum balance between durability and accessibility **Large** strong and durable, for intensive cutting operations
Extra Large very strong and durable, for intensive cutting operations

Art. No.	Type	A[mm]	B[mm]	C[mm]	D[mm]	F[mm]	Cutting Edges	CUTTING CAPACITY MM/AWG		
								Soft	Medium	Hard
E5140	Small	125	10	10	6.4	0.5	Semi-Flush	0.2-1.2 / 32-17	0.1-1.0 / 38-18	0.03-0.6 / 48-23
E5141	Small	125	10	10	6.4	0.5	Flush	0.1-1.2 / 38-17	0.1-1.0 / 38-18	-
E5142	Small	125	10	10	6.4	0.5	Full-Flush	0.1-1.0 / 38-18	0.1-0.8 / 38-20	-
E5150	Large	125	12.5	12.5	6.4	0.5	Semi-Flush	0.3-1.6 / 29-14	0.1-1.3 / 38-16	0.03-0.7 / 48-21
E5151	Large	125	12.5	12.5	6.4	0.5	Flush	0.2-1.6 / 32-14	0.1-1.2 / 38-17	-
E5152	Large	125	12.5	12.5	6.4	0.5	Full-Flush	0.2-1.2 / 32-17	0.1-1.0 / 38-18	-
E5160	Extra Large	130	14	16	6.4	0.5	Semi-Flush	0.4-2.0 / 26-12	0.3-1.6 / 29-14	0.05-0.9 / 44-19
E5161	Extra Large	130	14	16	6.4	0.5	Flush	0.3-1.6 / 29-14	0.3-1.5 / 29-15	-
E5162	Extra Large	130	14	16	6.4	0.5	Full-Flush	0.3-1.6 / 29-14	0.3-1.1 / 29-17	-



TAPERED | CUTTERS LINE

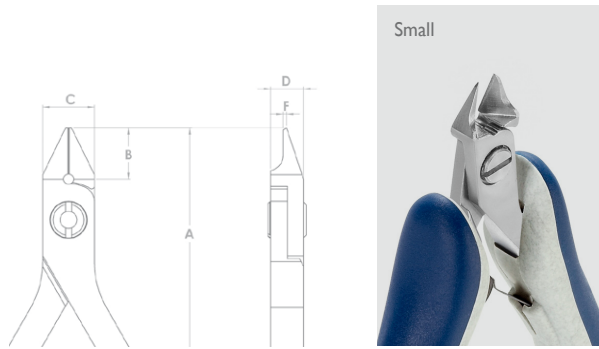


Small pointed head shape, slim and optimum balance between durability and accessibility **Large** robust and versatile, pointed head shape to increase accessibility when limited space

Art. No.	Type	A[mm]	B[mm]	C[mm]	D[mm]	F[mm]	Cutting Edges	CUTTING CAPACITY MM/AWG		
								Soft	Medium	Hard
E5340	Small	125	10	10	6.4	0.5	Semi-Flush	0.2-1.2 / 32-17	0.1-1.0 / 38-18	0.03-0.6 / 48-23
E5341	Small	125	10	10	6.4	0.5	Flush	0.1-1.2 / 38-17	0.1-1.0 / 38-18	-
E5342	Small	125	10	10	6.4	0.5	Full-Flush	0.1-1.0 / 38-18	0.1-0.8 / 38-20	-
E5350	Large	125	12.5	12.5	6.4	0.5	Semi-Flush	0.3-1.6 / 29-14	0.1-1.0 / 38-18	0.03-0.7 / 48-21
E5351	Large	125	12.5	12.5	6.4	0.5	Flush	0.2-1.6 / 32-14	0.1-1.2 / 38-17	-
E5352	Large	125	12.5	12.5	6.4	0.5	Full-Flush	0.2-1.2 / 32-17	0.1-1.0 / 38-18	-

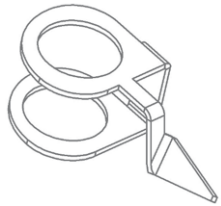


TAPERED & RELIEVED | CUTTERS LINE



Pointed head shape and deep relief for a very low profile to maximize accessibility when limited space

Art. No.	Type	A[mm]	B[mm]	C[mm]	D[mm]	F[mm]	Cutting Edges	CUTTING CAPACITY MM/AWG		
								Soft	Medium	Hard
E5540	Small	125	10	10	6.4	0.5	Semi-Flush	0.2-1.2 / 32-17	0.1-1.0 / 38-18	-
E5541	Small	125	10	10	6.4	0.5	Flush	0.1-1.2 / 38-17	0.1-0.4 / 38-26	-
E5542	Small	125	10	10	6.4	0.5	Full-Flush	0.1-0.8 / 38-20	0.1-0.4 / 38-26	-



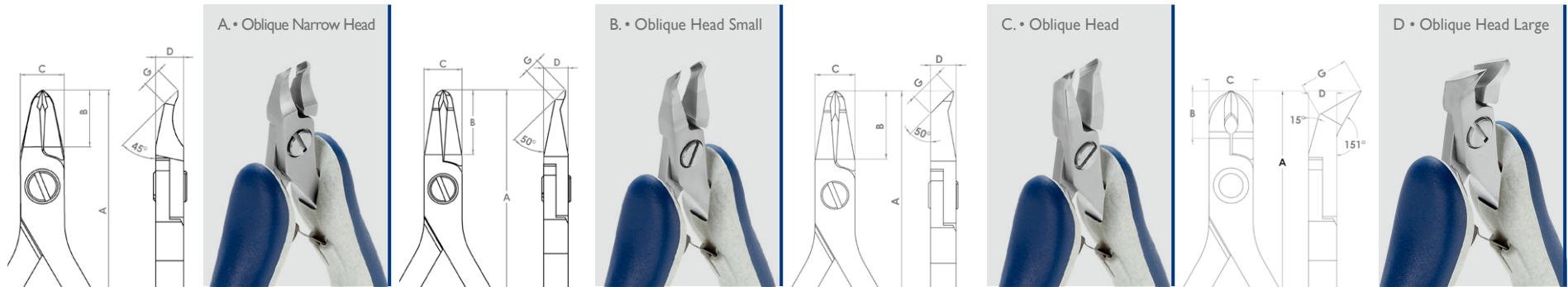
Wire Lead Catcher, made of stainless steel AISI 304, for our high precision cutters with 10mm box or 12,5mm box.
Wire Lead Catcher fits Oval, Tapered and Tapered & Relieved cutters only.

Art. No.	Type	Description
WLC100	Small	100 pcs • for cutters with box joint of 10mm
WLC125	Large	100 pcs • for cutters with box joint of 12,5mm

[click here to see the plug&play system \(VIDEO\)](#)



SPECIAL | CUTTERS LINE

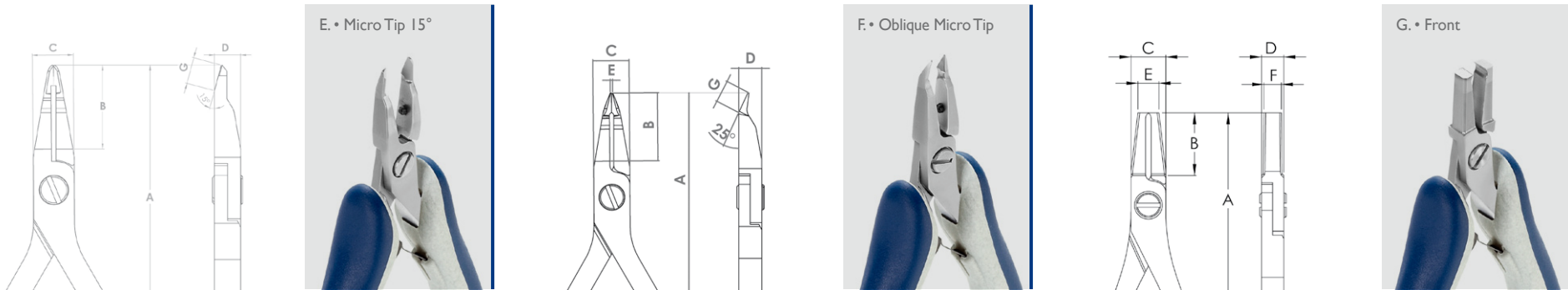


A. - B. - C. Angulated cutters to maximize accessibility and visibility when limited space **D.** Angulated and robust

Art. No.	Type	A[mm]	B[mm]	C[mm]	D[mm]	F[mm]	G[mm]	Cutting Edges	CUTTING CAPACITY MM/AWG		
									Soft	Medium	Hard
E5245	Oblique Narrow Head	130	13	10	6.4	-	4	Full-Flush	0.1-1.2 / 38-17	0.1-1.0 / 38-18	-
E5246	Oblique Head Small	130	17	10	6.4	-	4	Flush	0.1-1.2 / 38-17	0.1-0.4 / 38-26	-
E5247	Oblique Head	130	17	10	6.4	-	8	Flush	0.1-1.2 / 38-17	0.1-0.6 / 38-23	-
E5250	Oblique Head Large	130	14.5	10	6.4	-	11	Flush	0.2-1.2 / 32-17	0.1-1.0 / 38-18	-



SPECIAL | CUTTERS LINE

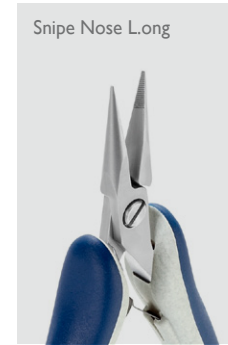
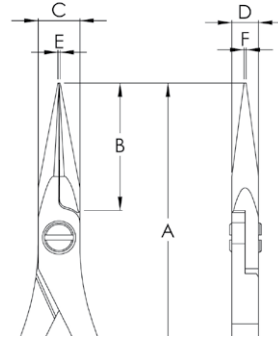
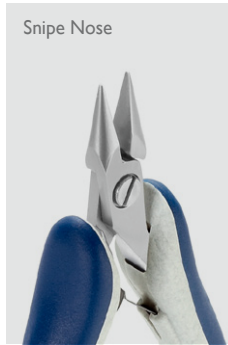
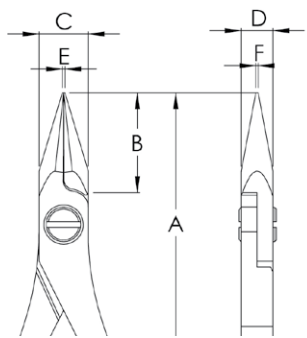


E. - F. long, narrow jaws. Sharp edges for cutting at the very tip. Deep relief for an exceptionally low profile **G.** tip cutters for vertical tip cutting

Art. No.	Type	A[mm]	B[mm]	C[mm]	D[mm]	E[mm]	F[mm]	G[mm]	Cutting Edges	CUTTING CAPACITY MM/AWG		
										Soft	Medium	Hard
E5233	Micro Tip 15°	135	20	10	6.4	-	-	7	Full-Flush	0.1-0.8 / 38-20	0.1-0.6 / 38-23	-
E5234	Oblique Micro Tip	135	20	10	6.4	0.5	-	6	Full-Flush	0.1-0.8 / 38-20	0.1-0.6 / 38-23	-
E5291	Front Cutters	135	20	10	6.4	6	5	-	Flush	0.1-1.2 / 38-17	0.1-0.8 / 38-20	-



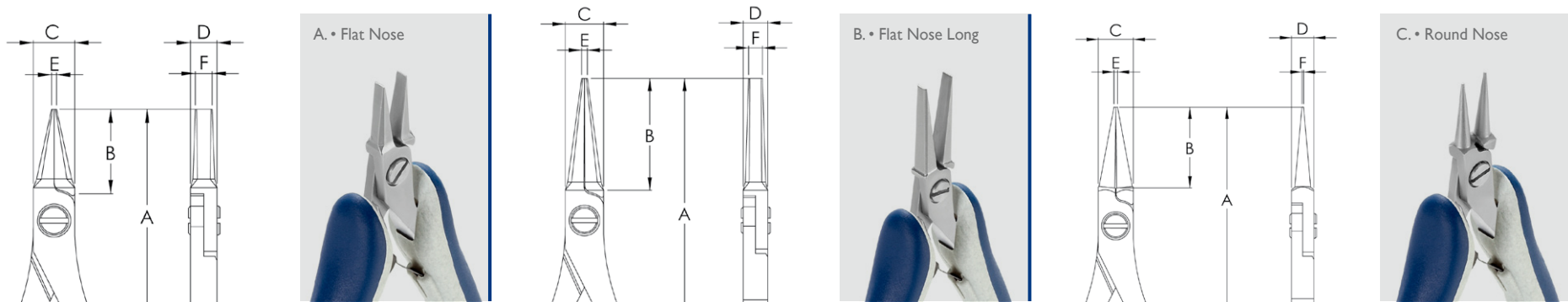
SNIPE NOSE | PLIERS LINE



Commonly used in electronic assembly and rework, as well as in fine jewellery

Art. No.	Type	A [mm]	B [mm]	C [mm]	D[mm]	E[mm]	F[mm]	Jaw Shape
E6021	Snipe Nose	135	20	10	6.4	1	0.5	Smooth
E6022	Snipe Nose	135	20	10	6.4	1	0.5	Serrated
E6023	Snipe Nose Long	145	30	10	6.4	1	0.5	Smooth
E6024	Snipe Nose Long	145	30	10	6.4	1	0.5	Serrated

FLAT & ROUND NOSE | PLIERS LINE



A. - B. flat nose pliers feature a very fine tip, smooth or serrated jaws and inner edges **C.** round nose pliers have jaws formed by two cones. A round nose pliers is generally used both to clamp and to form loops on leads or wire.

Art. No.	Type	A [mm]	B [mm]	C [mm]	D[mm]	E[mm]	F[mm]	Jaw Shape
E6011	Flat Nose	135	20	10	6.4	1.2	4.0	Smooth
E6012	Flat Nose	135	20	10	6.4	1.2	4.0	Serrated
E6013	Flat Nose Long	145	30	10	6.4	1.5	3.6	Smooth
E6014	Flat Nose Long	145	30	10	6.4	1.5	3.6	Serrated
E6041	Round Nose	140	24	10	6.4	1.0	0.5	Smooth



Mail address

Ideal-Tek SA · p.o. box 221
6830 Chiasso 3 · Switzerland

Shipping address

Ideal-Tek SA · via Monti 10
6828 Balerna · Switzerland

Phone +41 91 683 32 29

Fax +41 91 683 03 71

E-mail info@ideal-tek.com

Web www.ideal-tek.com

A large, white, abstract shape resembling a stylized arrow or a wing, pointing towards the top right, set against a grey background.

 ideal-tek s.a.

Technology at your fingertips