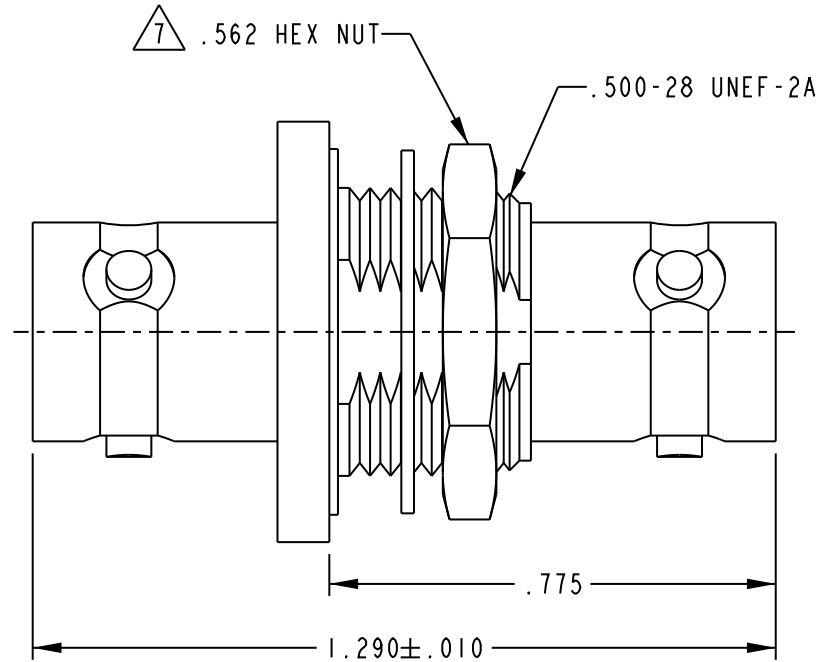
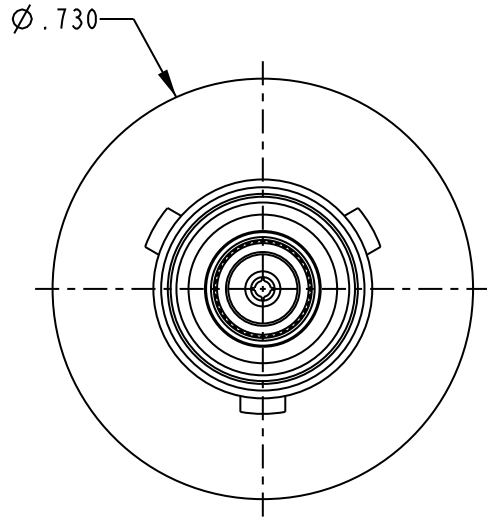
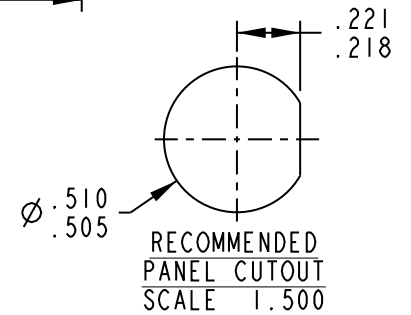


DATA CONTAINED IN THIS DOCUMENT IS PROPRIETARY TO EMERSON CONNECTIVITY SOLUTIONS AND SHALL NOT BE DISCLOSED, COPIED OR USED FOR PROCUREMENT OR MANUFACTURE WITHOUT EXPRESS WRITTEN PERMISSION

REVISIONS			
REV	DESCRIPTIONS	DATE	APPROVED
H	ECO 53006	2/7/11	T. KOHLER




BJ78HS SHOWN



- △ FOR BJ78HSS, 5/8 HEX NUT.
- 6. FOR BJ78HSS, REPLACE 8-1520-17 WITH 805-1304-3
- 5. MATERIAL & CONSTRUCTION: MEET THE REQUIREMENTS OF MIL-C-49142 WHERE APPLICABLE.
- 4. DIELECTRIC WITHSTANDING VOLTAGE: 500 V COMMON MADE VOLTAGE BETWEEN CIRCUITS.
- 3. LEAK RATE: 1×10^{-8} CC/SEC MAX OF TRACER GAS AT ATMOSPHERIC PRESURE.
- 2. HERMETICALLY SEALED TWINAX/TRIAX FEED THRU ADAPTER FOR MOUNTING IN BULKHEAD .187 THK MAX.
- △ PASSIVATED STAINLESS STEEL.

NOTES: UNLESS OTHERWISE SPECIFIED.

INTERPRET DRAWING PER MIL-STD-100. DIMENSIONS ARE IN INCHES AND INCLUDE FINISH THICKNESS UNLESS OTHERWISE SPECIFIED.		TOL: UNLESS SPECIFIED. .XX ± .XXX ± .005 .XXXX ± ANGLE ±		 Cinch Connectivity Solutions 299 Johnson Ave, Ste. 100 Waseca, MN 56093 1-800-247-8256		
DRN C. WALLACE	4/7/11	MATERIAL: △	TITLE: BJ78HS, BJ78HSS			
CHK T. KOHLER	4/8/11		FINISH: △	SIZE △	CAGE CODE 14949	DRAWING NO. 305-0063
BLANK LENGTH (REF. ONLY)		APPROVED		SCALE 2/1	DATE 5/5/11	SHEET 1 OF 2
SURFACE AREA	PROF TITLE NO. 305-0063	DO NOT SCALE DWG				

Mouser Electronics

Authorized Distributor

Click to View Pricing, Inventory, Delivery & Lifecycle Information:

[Cinch Connectivity Solutions:](#)

[BJ78HS](#)