

IEC Appliance Inlet C8, Solder, PCB or Quick-connect Terminal



2570-1110



2570-2210



2570-1210



See below:  
[Approvals and Compliances](#)

**Description**

- Panel mount :  
 Splitpanel (sandwich) or snap-in version from front side
- Appliance Inlet , Pin temperature 70 °C , Protection class II
- Solder, Quick Connect or PCB Terminal

**Unique Selling Proposition**

- Complete approvals
- Well-priced product

**Technical Data**

|                                   |  |
|-----------------------------------|--|
| Ratings IEC                       | 2.5 A / 250 VAC; 50Hz  |
| Ratings UL/CSA                    | 2.5 A / 250 VAC; 60Hz<br>7 A / 125 VAC; 60 Hz                      |
| Dielectric Strength               | > 2.5 kVAC between L-N<br>> 3 kVAC between L/N-PE<br>(1 min/50Hz)  |
| Allowable Operation Temperature   | -25 °C to 70 °C  |
| IP-Protection                     | from front side IP20 acc. to IEC 60529                             |
| Protection against electric shock | Suitable for appliances with protection class II acc. to IEC 61140 |
| Panel Thickness S                 | Snap-in: from 0.6mm to 2.0mm<br>Sandwich: 1.5mm                    |
| Material: Housing                 | PA6, black, UL 94V-0   |

**Weblinks**

[pdf data sheet](#), [html datasheet](#), [General Product Information](#), [Approvals](#), [Distributor-Stock-Check](#), [Accessories](#), [Detailed request for product](#)

|                         |  |
|-------------------------|--|
| Appliance inlet/-outlet | C8 acc. to IEC 60320-1,<br>UL 60320-1, CSA C22.2 no. 60320-1<br>(for cold conditions) pin-temperature 70 °C, 2.5A, Protection Class II |
|-------------------------|--|

**Approvals and Compliances**

Detailed information on product approvals, code requirements, usage instructions and detailed test conditions can be looked up in [Details about Approvals](#)

SCHURTER products are designed for use in industrial environments. They have approvals from independent testing bodies according to national and international standards. Products with specific characteristics and requirements such as required in the automotive sector according to IATF 16949, medical technology according to ISO 13485 or in the aerospace industry can be offered exclusively with customer-specific, individual agreements by SCHURTER.




**Approvals**

The approval mark is used by the testing authorities to certify compliance with the safety requirements placed on electronic products.  
 Approval Reference Type: 2570

| Approval Logo | Certificates                  | Certification Body | Description                              |
|---------------|-------------------------------|--------------------|--|
|               | <a href="#">VDE Approvals</a> | VDE                | VDE Certificate Number: 40044595         |
|               | <a href="#">UL Approvals</a>  | UL                 | UL File Number: E96454                   |
|               | <a href="#">CCC Approvals</a> | CCC                | CCC Certificate Number: 2016180204001695 |


## Product standards

Product standards that are referenced

| Organization   | Design                | Standard              | Description   |
|--|-----------------------|-----------------------|---|
|  | Designed according to | IEC 60320-1           | Appliance couplers for household and similar general purposes         |
|  | Designed according to | UL 60320-1            | Standard for Attachment Plugs and Receptacles                         |
|  | Designed according to | CSA C22.2 no. 60320-1 | General Use Receptacles, Attachment Plugs, and Similar Wiring Devices |






## Application standards

Application standards where the product can be used

| Organization   | Design                         | Standard       | Description  |
|--|--------------------------------|----------------|--|
|  | Designed for applications acc. | IEC/UL 62368-1 | IEC 62368-1 includes the basic requirements for safety of audio, video, information technology and office equipment. |

## Compliances

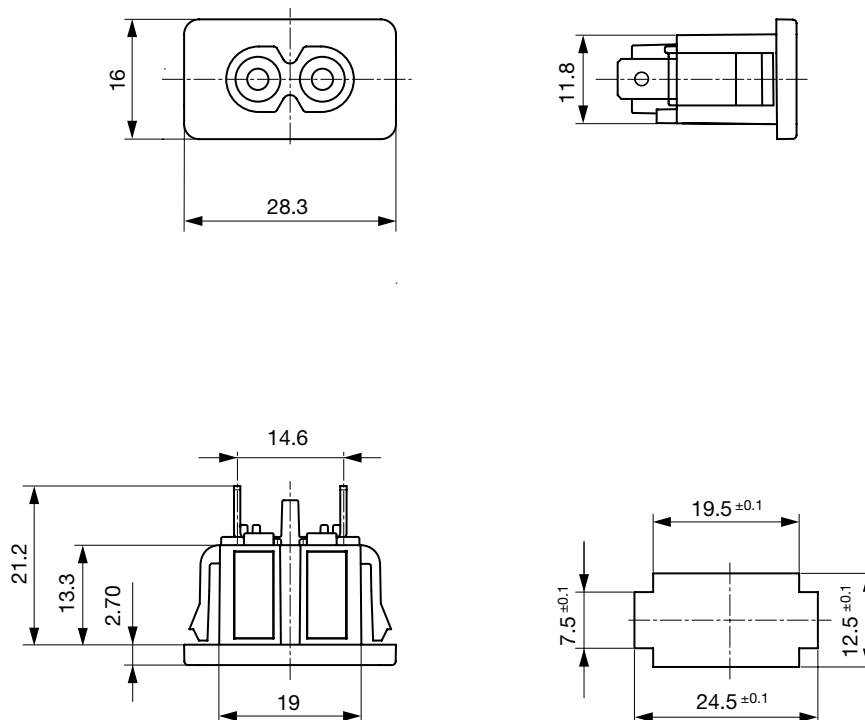
The product complies with following Guide Lines

| Identification   | Details                                      | Initiator   | Description   |
|--|--|-------------|---|
|    | <a href="#">CE declaration of conformity</a> | SCHURTER AG | The CE marking declares that the product complies with the applicable requirements laid down in the harmonisation of Community legislation on its affixing in accordance with EU Regulation 765/2008. |
|    | RoHS   | SCHURTER AG | Directive RoHS 2011/65/EU, Amendment (EU) 2015/863  |
|    | China RoHS                                   | SCHURTER AG | The law SJ / T 11363-2006 (China RoHS) has been in force since 1 March 2007. It is similar to the EU directive RoHS.  |
|   | Halogen Free                                 | SCHURTER AG | SCHURTER strives to offer our customers halogen free products.  |
|  | REACH  | SCHURTER AG | On 1 June 2007, Regulation (EC) No 1907/2006 on the Registration, Evaluation, Authorization and Restriction of Chemicals 1 (abbreviated as "REACH") entered into force.                               |

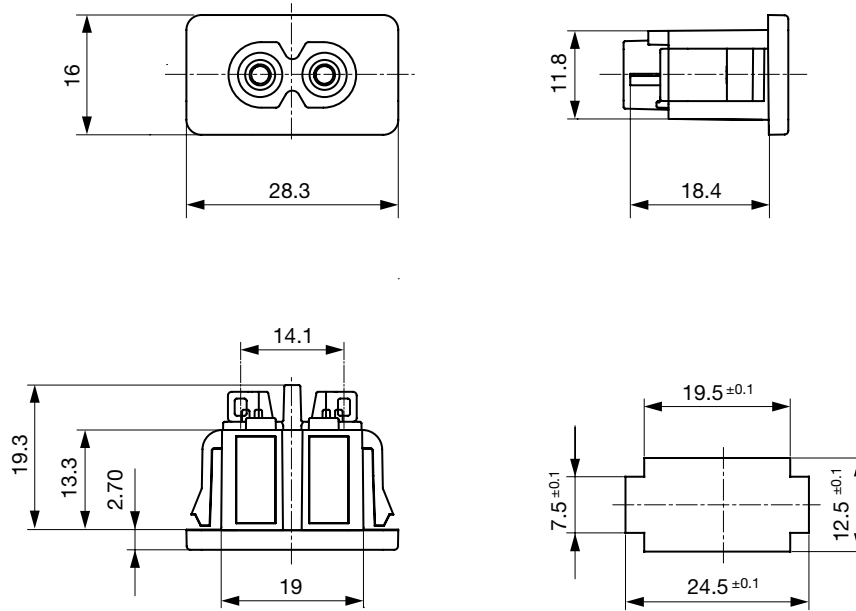
## Dimensions [mm]

2570-1310

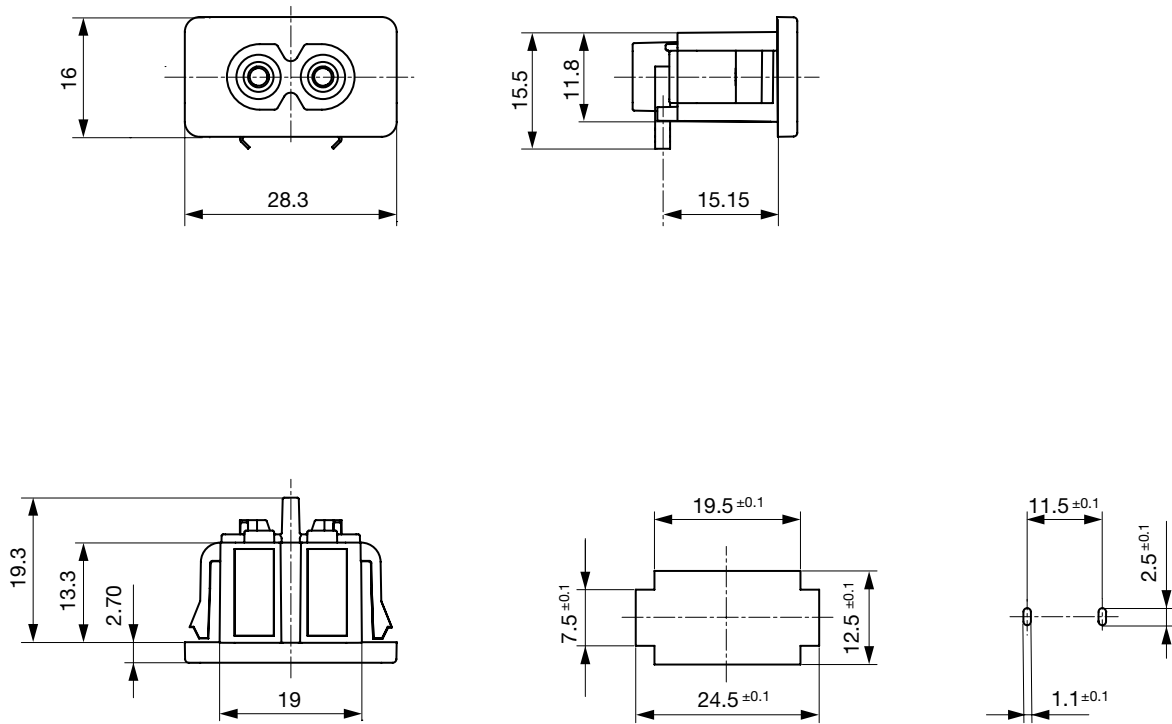
Snap-in mounting with quick connect terminal



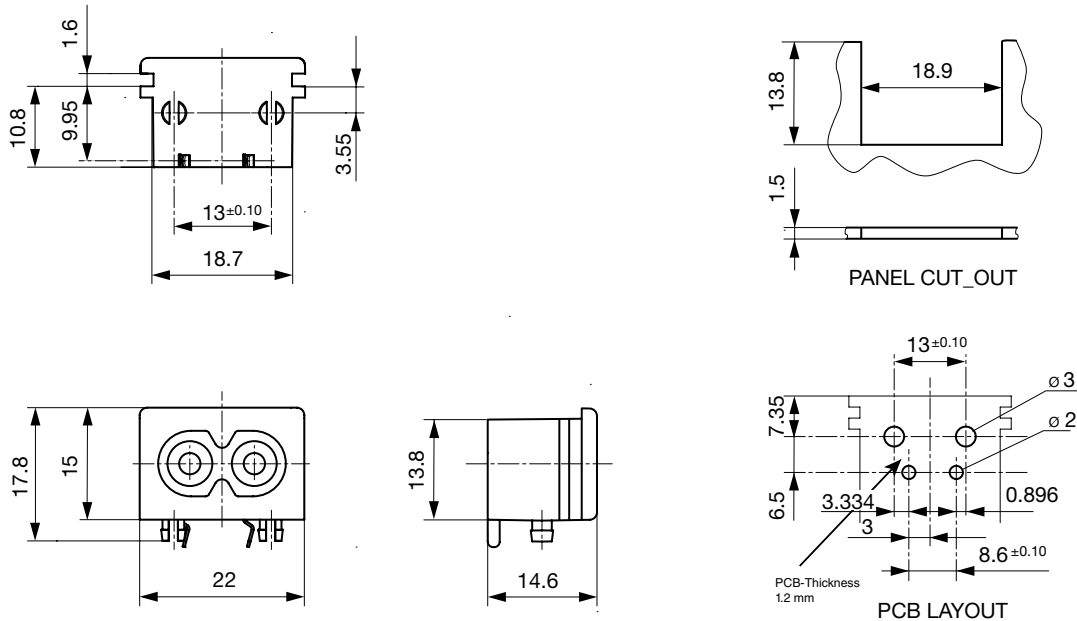
2570-1110  
Snap-in mounting with quick solder terminal



2570-1210  
Snap-in mounting with PCB terminal



2570-2210  
 Sandwich mounting with PCB terminal



**All Variants**

| Type      | Panel mounting | Panel Thickness s [mm] | Terminal                   | Order Number |
|-----------|----------------|------------------------|----------------------------|--------------|
| 2570-1110 | Snap-in        | 0.6 - 2.0              | Solder terminals           | 4300.0102    |
| 2570-1210 | Snap-in        | 0.6 - 2.0              | PCB terminals              | 4300.0103    |
| 2570-1310 | Snap-in        | 0.6 - 2.0              | Quick connect 4.8 x 0.8 mm | 4300.0105    |
| 2570-2210 | Sandwich       | 1.5                    | PCB terminals              | 4300.0104    |

Most Popular.

Availability for all products can be searched real-time: <https://www.schurter.com/en/Stock-Check/Stock-Check-SCHURTER>

**Packaging unit** 100 Pcs

**Mating Outlets/Connectors**

Category / Description

Power Cord Overview complete



|   |           |
|---|-----------|
| Cord Sets 2.5 A, IEC Connector, Black, 2.0 m, H03VVH2-F 2x0,75mm <sup>2</sup> , Connector IEC C7, 001500 mm, H03VVH2-F2G0.75, black | 6013.0474 |
| Cord Sets 2.5 A, IEC Connector, Black, 4.0 m, H03VVH2-F 2x0,75mm <sup>2</sup> , Connector IEC C7, 001500 mm, H05VVH2-F2G0.75, black | 6013.0478 |



Power Supply Cord Overview complete

|  |                           |
|--|---------------------------|
| Cord Sets 2.5 A, North America, Black, 2.0 m, SVT 2x18AWG, Connector IEC C7, 002500 mm, NISPT-2, black | <a href="#">6010.5274</a> |
| Cord Sets 2.5 A, North America, Black, 4.0 m, SVT 2x18AWG, Connector IEC C7, 002500 mm, NISPT-2, black | <a href="#">6010.5278</a> |

# Mouser Electronics

Authorized Distributor

Click to View Pricing, Inventory, Delivery & Lifecycle Information:

Schurter:

[4300.0102](#) [4300.0103](#) [4300.0104](#) [4300.0105](#)