



Mallory Sonalert Products, Inc.

Part #: **SBS12GHPC**

Sales Outline Drawing

Revision: **A**

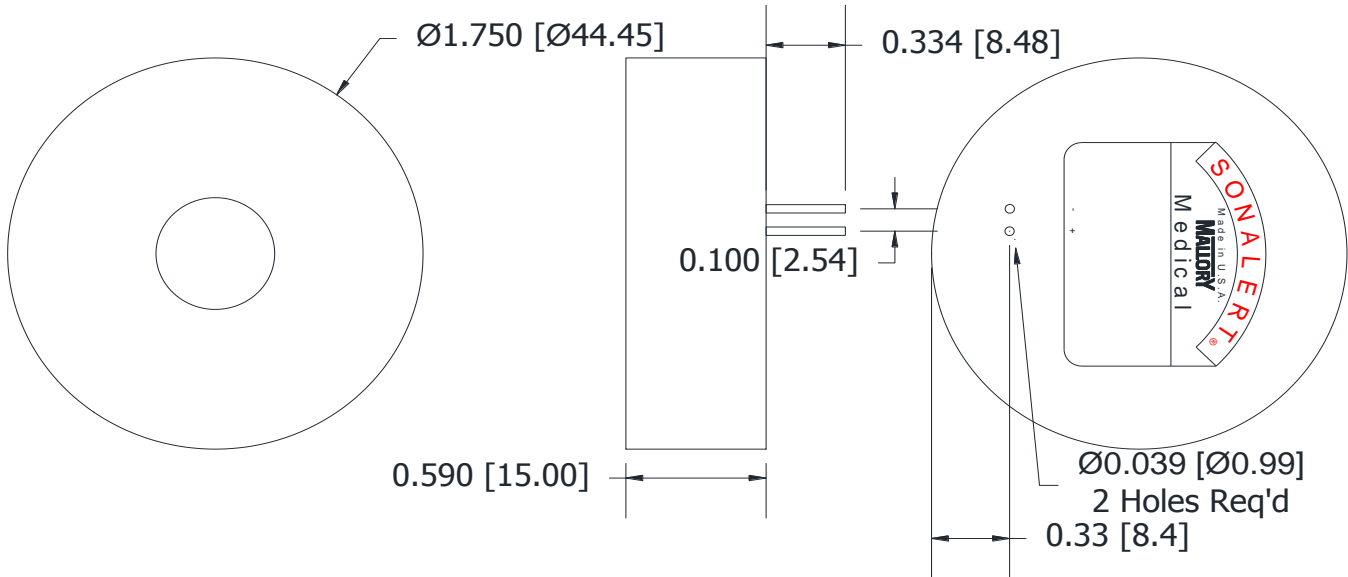
Specifications:	cUL Recognized to IEC60601-1-8 General Melody - High Priority Only
Sound Level Category:	Extra Loud
Mode of Operation:	High Priority Alarm - 10 beeps repeating every 2.5 sec
Voltage Rating:	9 to 12 VDC
Frequency:	150 to 4000 Hz
Loudness @ 10cm:	95 to 105 dB(A) Typ.
Average Current Draw:	<300mA Typ.
Ipk Current*:	400mA
Housing Material:	ABS 777D Plastic Resin, Black
Storage Temperature:	-40° to +85° C
Operating Temperature:	-30° to +65° C
Weight Typical:	1.1 oz (32g)
Options:	Please contact factory.

Dimensions: Inches (mm) **cUL Recognized** **ROHS Compliant**

PATENT NUMBER: 7880593

Before Code Date: 1546 Not cUL Recognized

After Code Date: 1547 cUL Recognized



*Ipk = Instantaneous Peak

tolerances: ± 0.01 [± 0.3]
 ± 0.005 [± 0.1]