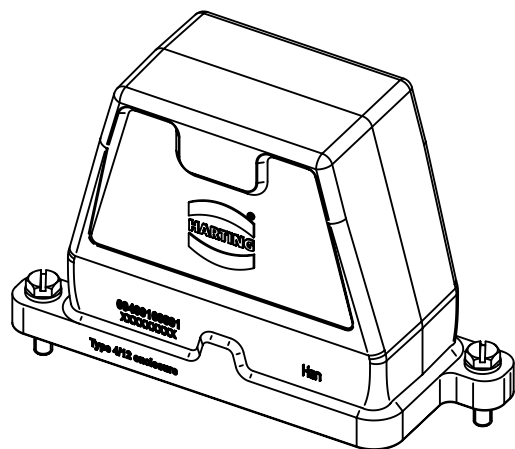
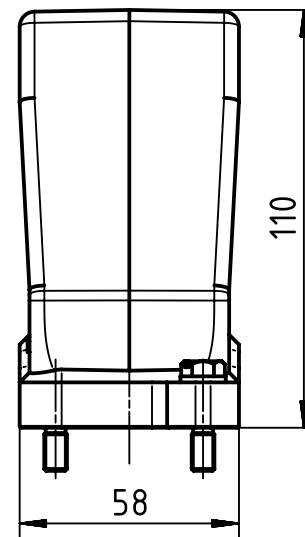
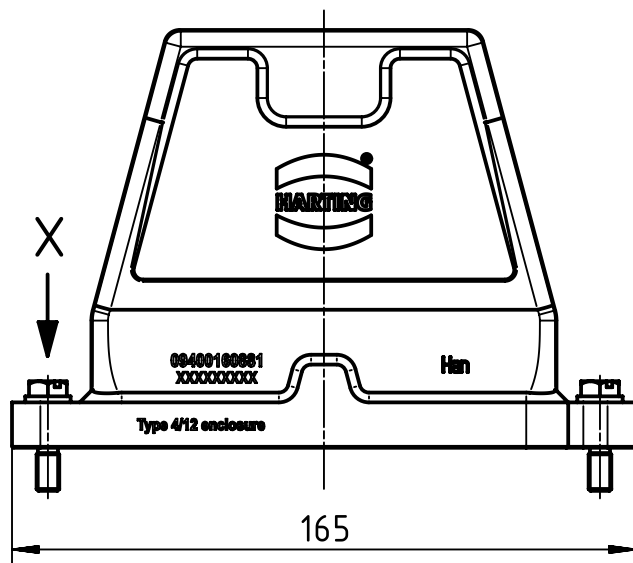
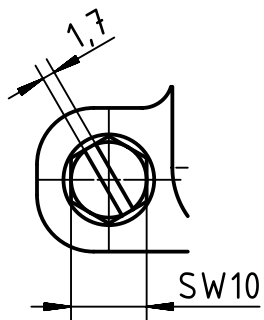


X (1:1)



	All Dimensions in mm Original Size DIN A4		Scale 1:2	Free size tol.		Ref.	
						Sub.	
	All rights reserved Department EL PD - DE		Created by FINKEV	Inspected by GERB	Standardisation TIEMANNA	Date 2015-11-16	State Final Release
	HARTING Electric GmbH & Co. KG D-32339 Espelkamp		Title Han 16HPR-g-SV			Doc-Key / ECM-Nr. 100170365/UGD/005/A 500000094076	
			Type TB	Number 09 40 016 0811		Rev. A	Page 1/1