

# EVB-LAN9252-SPI(FDB LAN9252-ADD-ON-for-F2837xD)

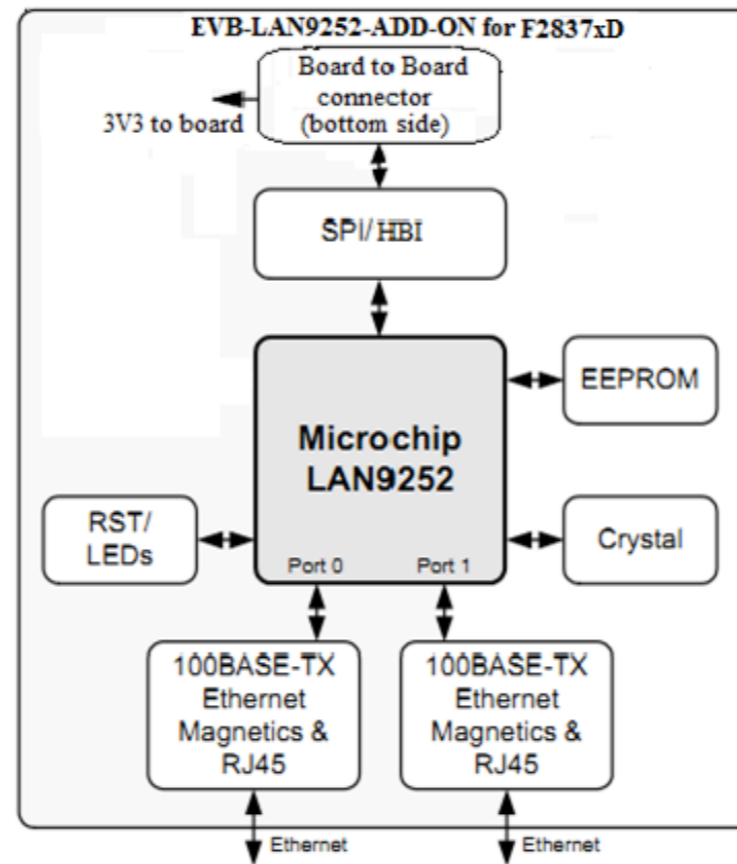
## Table of Contents

Sheet	Description
1	Titel & Block Diagram
2	LAN9252-1
3	LAN Connectors, Strap & EEPROM
4	LAN9252-2

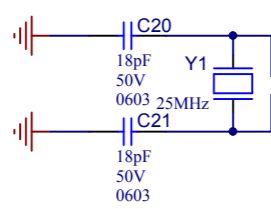
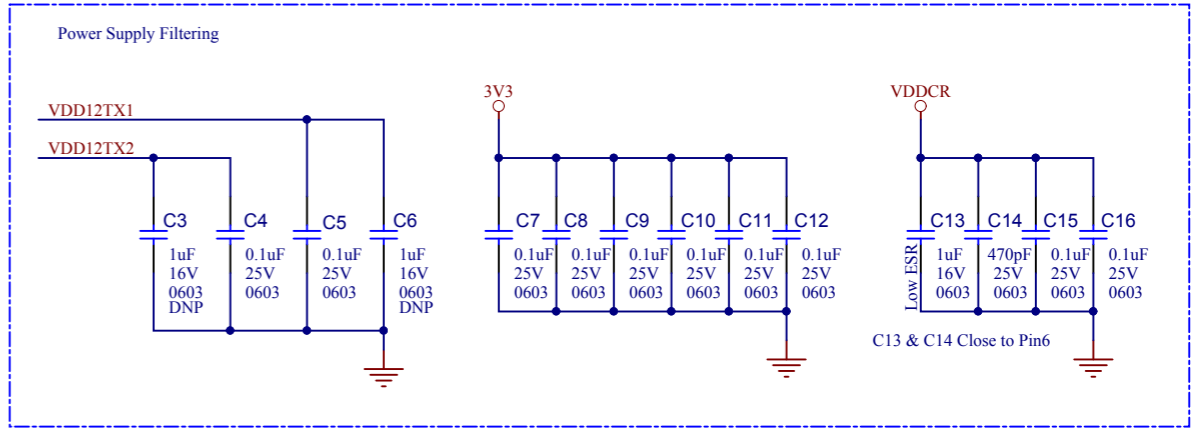
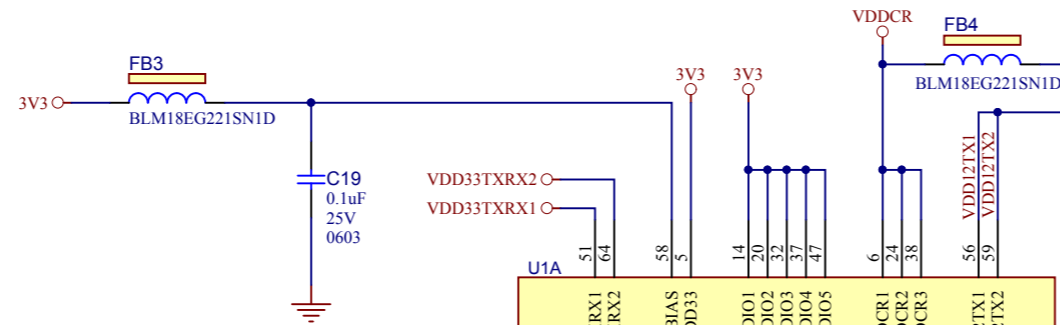
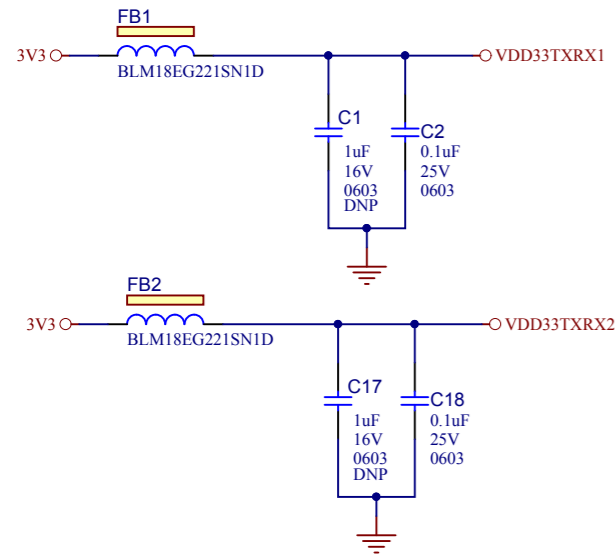
## Revision History

Revision	Date	Revision Summary	Author
A0	2016/11/08	Pre-release	Manikandan

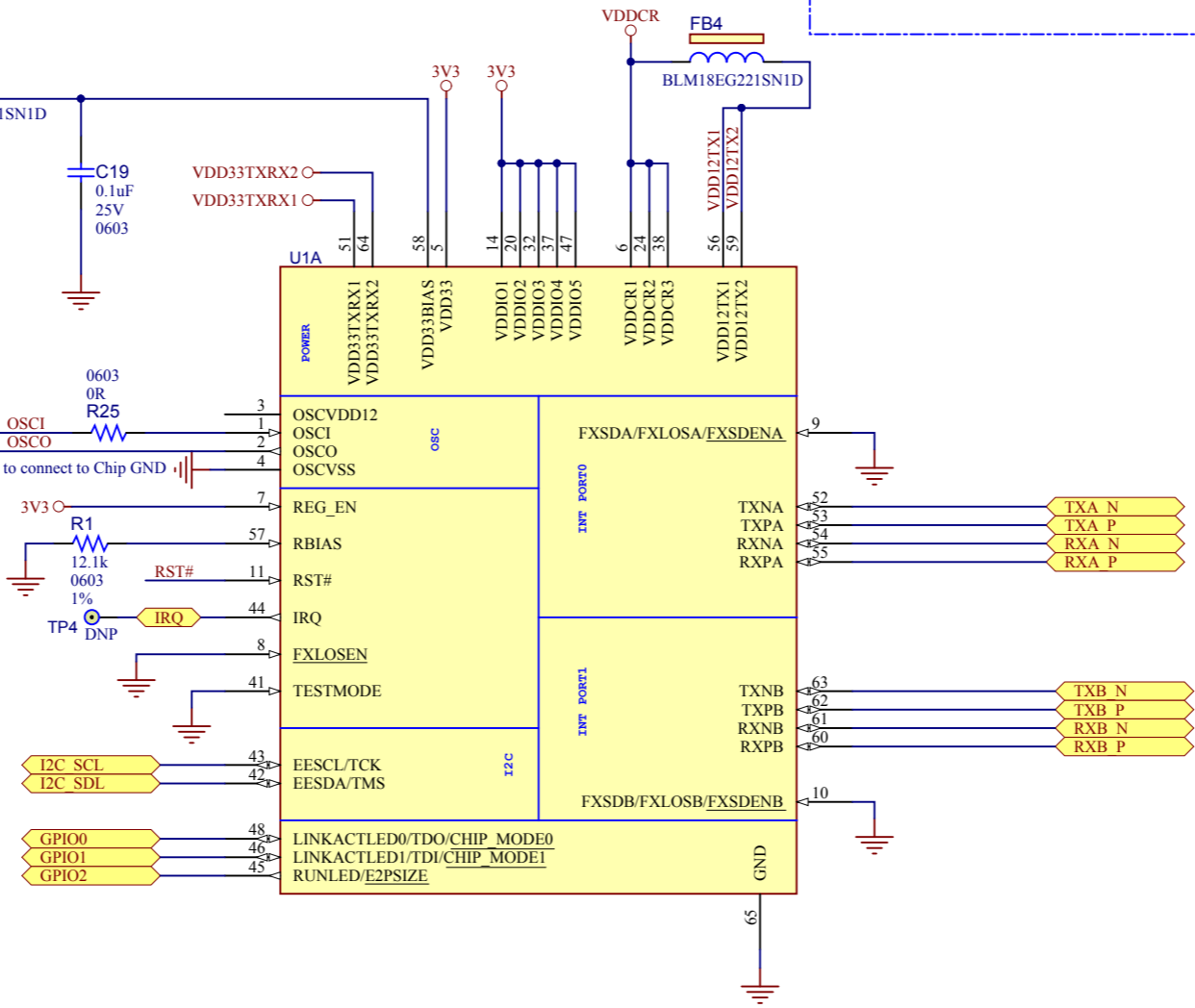
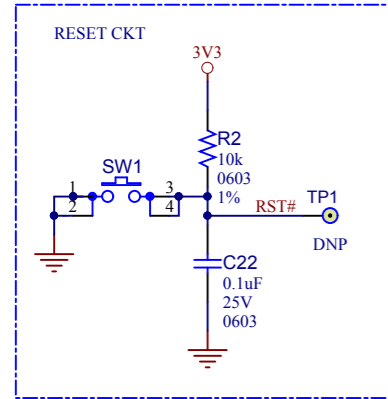
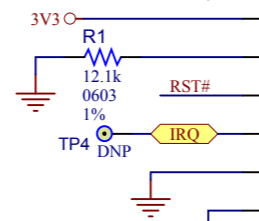
## Block Diagram



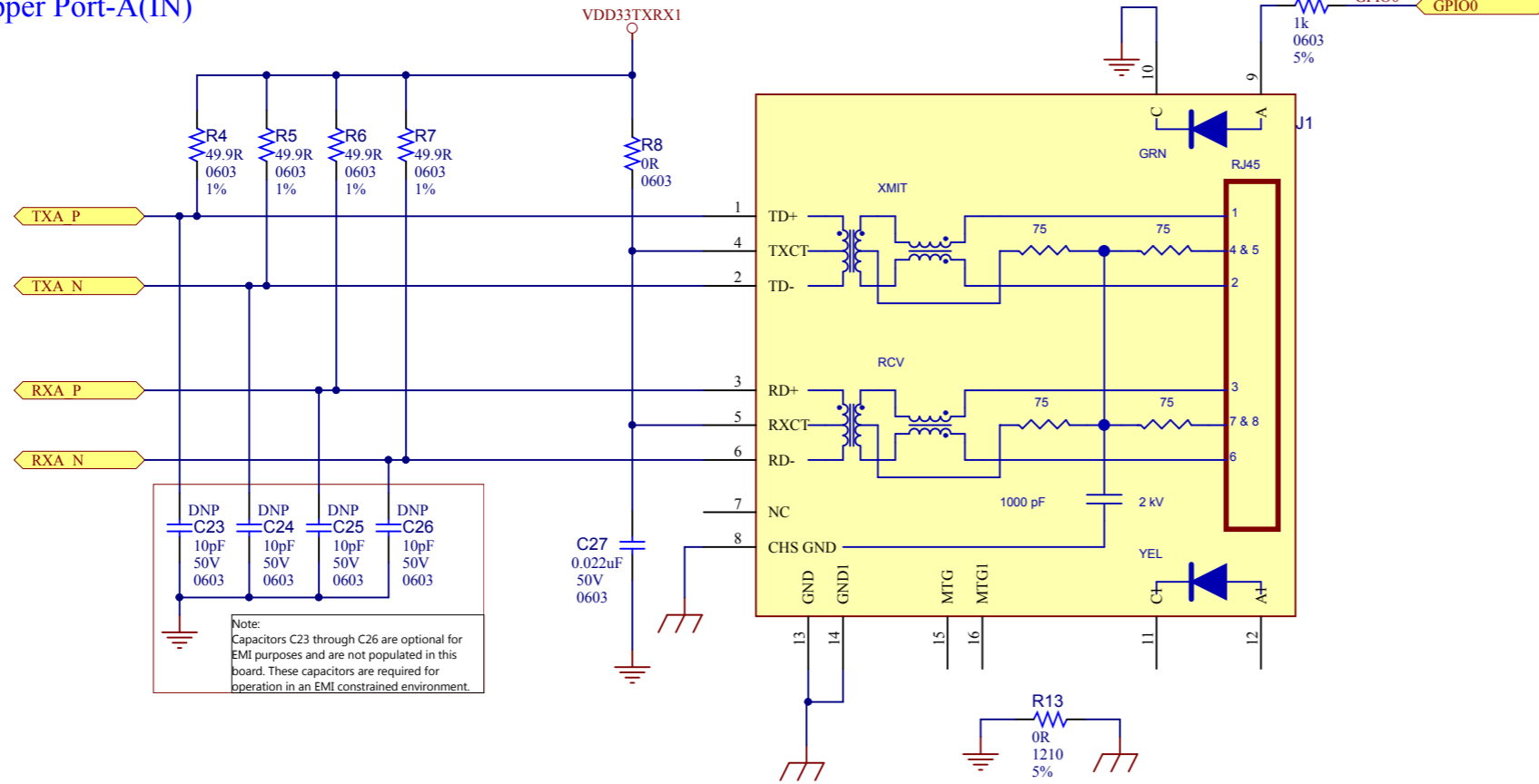
# LAN9252-PART1



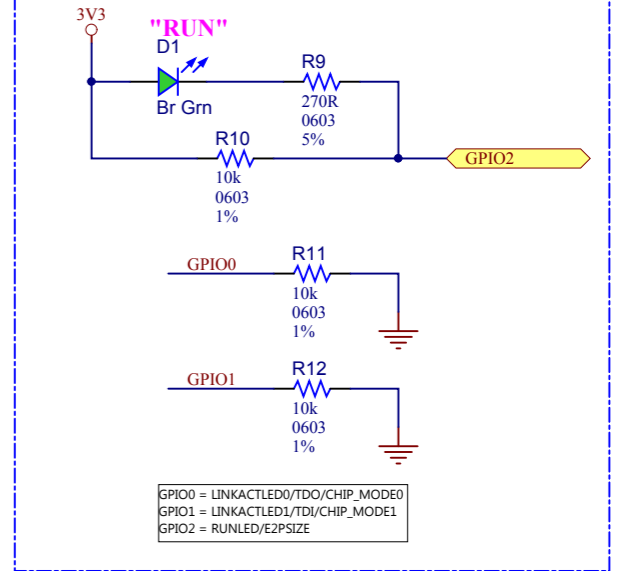
Note: OSCVSS need to connect to Chip GND



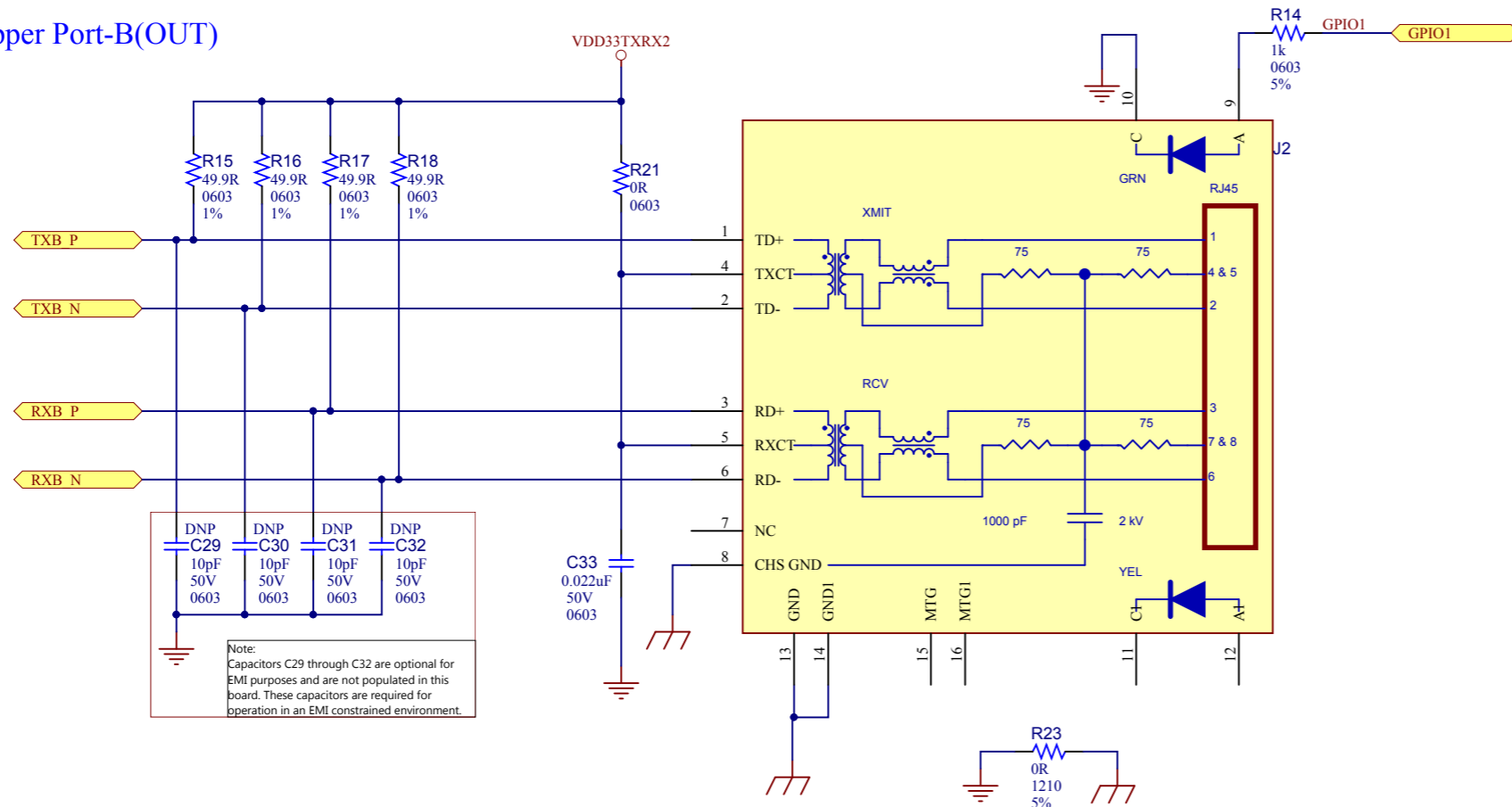
### Copper Port-A(IN)



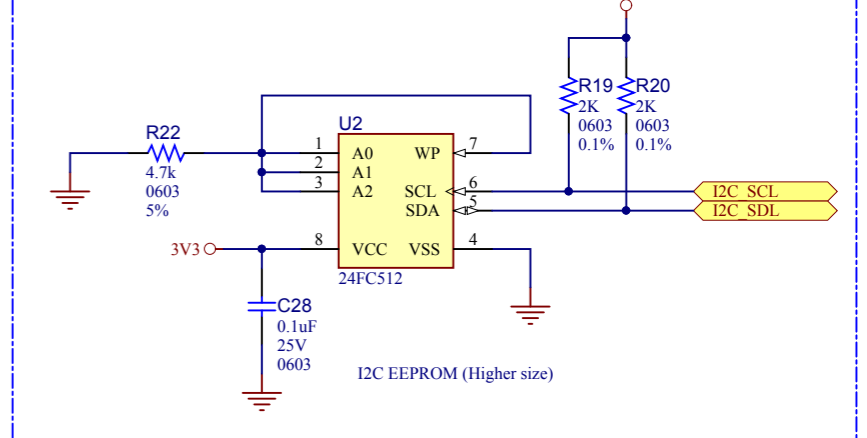
### Strap



### Copper Port-B(OUT)



### I2C EEPROM



# LAN9252-PART2

