

VS-ST-LH-3,6/18/3,8 - D-SUB power contact



1655467

<https://www.phoenixcontact.com/us/products/1655467>

Please be informed that the data shown in this PDF document is generated from our online catalog. Please find the complete data in the user documentation. Our general terms of use for downloads are valid.



POWER contact, for D-SUB combination inserts, for PCB assembly, pin, angled, rated current 40 A, gold-plated

Commercial data

Item number	1655467
Packing unit	100 pc
Minimum order quantity	100 pc
Sales key	AB19
Product key	ABNCAC
Catalog page	Page 447 (C-2-2019)
GTIN	4046356029391
Weight per piece (including packing)	2.803 g
Weight per piece (excluding packing)	2.803 g
Customs tariff number	85366990
Country of origin	DE

VS-ST-LH-3,6/18/3,8 - D-SUB power contact



1655467

<https://www.phoenixcontact.com/us/products/1655467>

Technical data

Product properties

Product type	Contacts
Type	Individual male contact
Contact material type	turned

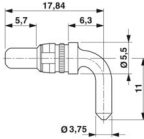
Electrical properties

Maximum load current	40 A
Rated surge voltage	1 kV
Rated current	40 A (at 20 °C)
Insulation resistance	≥ 5 GΩ
Test voltage	1000 V

Connection data

Maximum load current	40 A
Connection method	PCB mounting

Dimensions

Dimensional drawing	
Width	5.5 mm
Height	13.8 mm
Length	19.7 mm

Mechanical characteristics

Contact diameter	3.8 mm
------------------	--------

Material specifications

Material	Metal
Contact material	Copper alloy
Contact surface material	Au/Sn

Mechanical properties

Mechanical data

Insertion/withdrawal cycles	≥ 500
Insertion force per signal contact	≤ 7.00 N
Extraction force per signal contact	approx. 5 N

Environmental and real-life conditions

VS-ST-LH-3,6/18/3,8 - D-SUB power contact



1655467

<https://www.phoenixcontact.com/us/products/1655467>

Ambient conditions

Ambient temperature (operation)

-55 °C ... 130 °C

Mounting

Mounting type

Solder connection

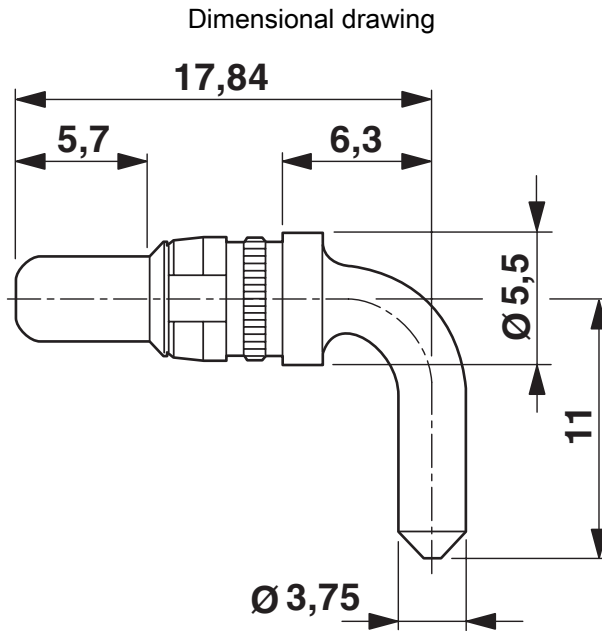
VS-ST-LH-3,6/18/3,8 - D-SUB power contact



1655467

<https://www.phoenixcontact.com/us/products/1655467>

Drawings



D-SUB power contact pin

VS-ST-LH-3,6/18/3,8 - D-SUB power contact



1655467

<https://www.phoenixcontact.com/us/products/1655467>

Classifications

ECLASS

ECLASS-11.0	27440204
ECLASS-12.0	27440204
ECLASS-13.0	27440204

ETIM

ETIM 9.0	EC000796
----------	----------

UNSPSC

UNSPSC 21.0	39121500
-------------	----------

VS-ST-LH-3,6/18/3,8 - D-SUB power contact



1655467

<https://www.phoenixcontact.com/us/products/1655467>

Environmental product compliance

EU RoHS

Fulfills EU RoHS substance requirements	Yes
Exemption	6(c)

China RoHS

Environment friendly use period (EFUP)	EFUP-50
	An article-related China RoHS declaration table can be found in the download area for the respective article under "Manufacturer declaration". For all articles with EFUP-E, no China RoHS declaration table issued and required.

EU REACH SVHC

REACH candidate substance (CAS No.)	Lead(CAS: 7439-92-1)
SCIP	93b33823-1669-4eca-8fe3-33e540196590

VS-ST-LH-3,6/18/3,8 - D-SUB power contact

1655467

<https://www.phoenixcontact.com/us/products/1655467>



Accessories

HC-M4-KOAX-EWZ - Contact removal tool

1676747

<https://www.phoenixcontact.com/us/products/1676747>

Contact removal tool for coaxial contacts



Phoenix Contact 2024 © - all rights reserved
<https://www.phoenixcontact.com>

Phoenix Contact USA
586 Fulling Mill Road
Middletown, PA 17057, United States
(+717) 944-1300
info@phoenixcon.com