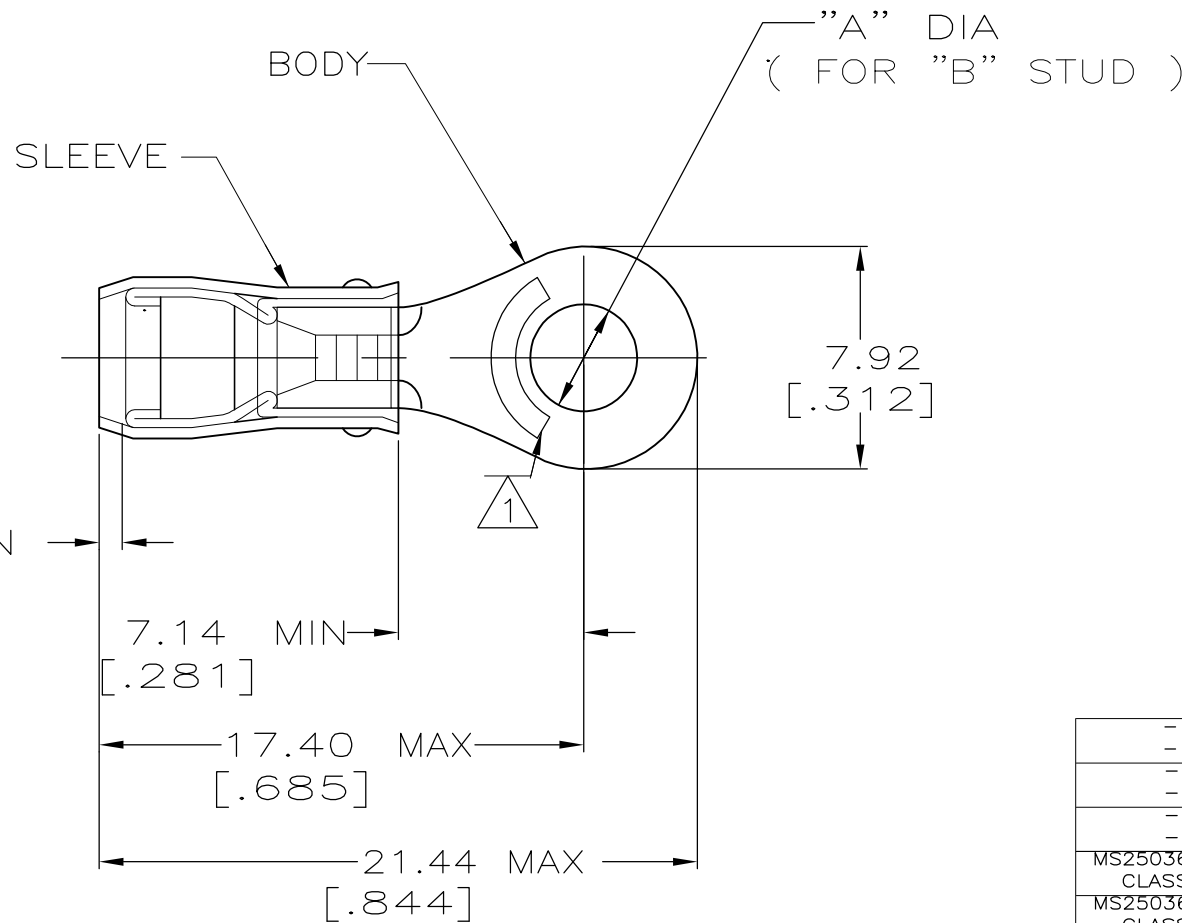


THIS DRAWING IS UNPUBLISHED. RELEASED FOR PUBLICATION - , - .  
 © COPYRIGHT - By - ALL RIGHTS RESERVED.

LOC	DIST	REVISIONS			
P	LTR	DESCRIPTION	DATE	DWN	APVD
G	14	AB1	REVISED PER ECO-11-004587	11MAR11	RK HMR

<b>AMP</b> WIRE RANGE	E13288 Listed	LR7189 Certified
16-14 AWG SOLID OR STRANDED	16-14 AWG SOLID OR STRANDED	16-14 AWG SOLID OR STRANDED



- 1 STAMP AMP 16-14\* APPROX AS SHOWN
- 2 WIRE INSULATION DIA: 2.67-3.81  
[.105-.150]
- 3 TONGUE MATERIAL THK: 0.79±0.05  
[.031±.002]

MILITARY P/N AND CLASS	"B"	DIM "A"	QUANTITY	PACKAGE TYPE	PART NO
-	10	5.00±0.08 [.197±.003]	100	LOOSE PIECE, BOX	5-51864-1
-	8	4.34±0.08 [.171±.003]	100	LOOSE PIECE, BOX	4-51864-1
-	6	3.68±0.08 [.145±.003]	100	LOOSE PIECE, BOX	3-51864-1
MS25036-153 CLASS 2	8	4.34±0.08 [.171±.003]	5000	ON TAPE, REEL	51864-5
MS25036-108 CLASS 2	10	5.00±0.08 [.197±.003]	5000	ON TAPE, REEL	51864-4
MS25036-107 CLASS 2	6	3.68±0.08 [.145±.003]	5000	ON TAPE, REEL	51864-3
MS25036-108 CLASS 1 & 2	10	5.00±0.08 [.197±.003]	1000	LOOSE PIECE	51864-2
MS25036-153 CLASS 1 & 2	8	4.34±0.08 [.171±.003]	1000	LOOSE PIECE	51864-1
MS25036-107 CLASS 1 & 2	6	3.68±0.08 [.145±.003]	1000	LOOSE PIECE	51864

<b>AMP INCORPORATED CUSTOMER SERVICE SYSTEMS</b>		MAX RECOMMENDED OPERATING TEMPERATURE: 105° C MAX
FOR ADDITIONAL PRODUCT INFORMATION OR COPIES OF DRAWINGS AND TECHNICAL DOCUMENTS	PRODUCT INFORMATION CENTER 1-800-522-6752	VOLTAGE RATING: 300 V MAX
FOR APPLICATION TOOLING INFORMATION	TOOLING ASSISTANCE CENTER 1-800-722-1111	CIRCULAR MIL AREA: 1.04-2.62mm <sup>2</sup> [2050-5180] CIR MILS SOLID OR STRANDED
FOR ORDER ENTRY	1-800-526-5142	THIS DRAWING IS A CONTROLLED DOCUMENT FOR AMP INCORPORATED. IT IS SUBJECT TO CHANGE AND THE CONTROLLING ENGINEERING ORGANIZATION SHOULD BE CONTACTED FOR THE LATEST REVISION.

THIS DRAWING IS A CONTROLLED DOCUMENT.		DWN JR RUTH 270CT99	TE Connectivity	
DIMENSIONS: mm[INCHES]		CHK RE HERSEY 270CT99	NAME TERMINAL, RING TONGUE, PIDG, WIRE SIZE, 16-14 AWG	
TOLERANCES UNLESS OTHERWISE SPECIFIED: 0 PLC ± - 1 PLC ± - 2 PLC ± 0.20[.008] 3 PLC ± - 4 PLC ± - ANGLES ± -		APVD C PRESNELL 270CT99	PRODUCT SPEC UL 486A	
MATERIAL COPPER PER ASTM B-152 SLEEVE, BLUE NYLON		FINISH TIN PLATE PER ASTM B545	APPLICATION SPEC	RESTRICTED TO
WEIGHT -		SIZE A3	CAGE CODE 00779	DRAWING NO C-51864
CUSTOMER DRAWING			SCALE NTS	SHEET 1 OF 2
			REV AB1	

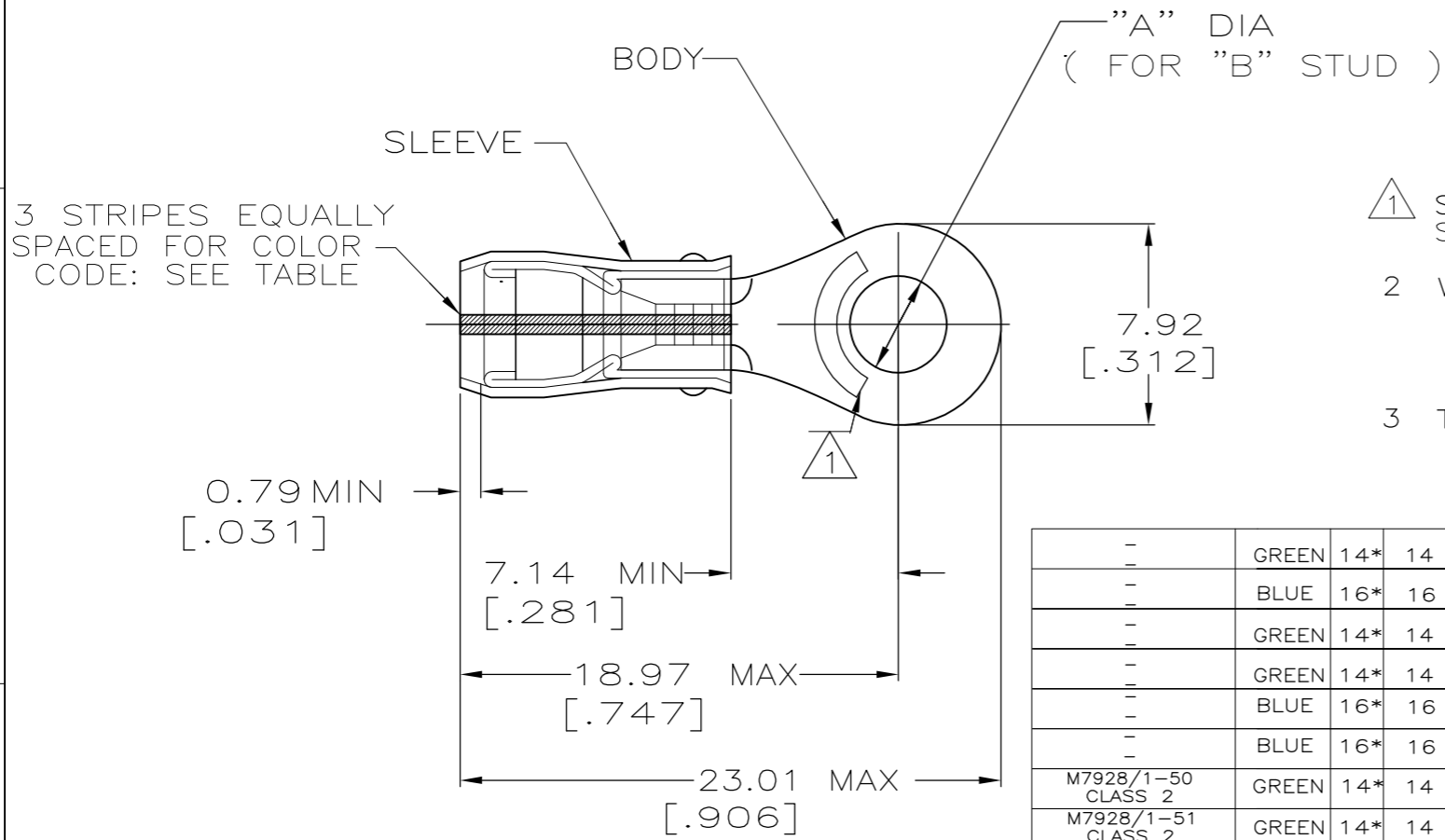
CUSTOMER DRAWING

LOC	DIST	REVISIONS					
G	14	P	LTR	DESCRIPTION	DATE	DWN	APVD
			AB1	REVISED PER ECO-11-004587	11MAR11	RK	HMR

**AMP**  
WIRE RANGE

---

SEE TABLE  
STRANDED



- 1 STAMP AMP APPROX AS SHOWN  
SEE TABLE BELOW
- 2 WIRE INSULATION DIA: 1.60-3.30 FOR 16 AWG  
[.063-.130]  
1.98-3.30 FOR 14 AWG  
[.078-.130]
- 3 TONGUE MATERIAL THK: 0.79±0.05  
[.031±.002]

-	GREEN	14*	14	8	4.34±0.08 [.171±.003]	100	LOOSE PIECE, BOX	9-51864-5
-	BLUE	16*	16	8	4.34±0.08 [.171±.003]	100	LOOSE PIECE, BOX	9-51864-3
-	GREEN	14*	14	10	5.00±0.08 [.197±.003]	100	LOOSE PIECE, BOX	9-51864-1
-	GREEN	14*	14	6	3.68±0.08 [.145±.003]	100	LOOSE PIECE, BOX	8-51864-1
-	BLUE	16*	16	10	5.00±0.08 [.197±.003]	100	LOOSE PIECE, BOX	7-51864-1
-	BLUE	16*	16	6	3.68±0.08 [.145±.003]	100	LOOSE PIECE, BOX	6-51864-1
M7928/1-50 CLASS 2	GREEN	14*	14	8	4.34±0.08 [.171±.003]	5000	ON TAPE, REEL	1-51864-7
M7928/1-51 CLASS 2	GREEN	14*	14	10	5.00±0.08 [.197±.003]	5000	ON TAPE, REEL	1-51864-5
M7928/1-42 CLASS 2	BLUE	16*	16	10	5.00±0.08 [.197±.003]	5000	ON TAPE, REEL	1-51864-3
M7928/1-40 CLASS 2	BLUE	16*	16	6	3.68±0.08 [.145±.003]	5000	ON TAPE, REEL	1-51864-2
M7928/1-50 CLASS 1 & 2	GREEN	14*	14	8	4.34±0.08 [.171±.003]	1000	LOOSE PIECE	1-51864-1
M7928/1-41 CLASS 1 & 2	BLUE	16*	16	8	4.34±0.08 [.171±.003]	1000	LOOSE PIECE	1-51864-0
M7928/1-51 CLASS 1 & 2	GREEN	14*	14	10	5.00±0.08 [.197±.003]	1000	LOOSE PIECE	51864-9
M7928/1-49 CLASS 1 & 2	GREEN	14*	14	6	3.68±0.08 [.145±.003]	1000	LOOSE PIECE	51864-8
M7928/1-42 CLASS 1 & 2	BLUE	16*	16	10	5.00±0.08 [.197±.003]	1000	LOOSE PIECE	51864-7
M7928/1-40 CLASS 1 & 2	BLUE	16*	16	6	3.68±0.08 [.145±.003]	1000	LOOSE PIECE	51864-6
MILITARY P/N AND CLASS	STRIPE COLOR	1	WIRE SIZE	"B"	DIM "A"	QUANTITY	PACKAGE TYPE	PART NO

<b>AMP INCORPORATED</b> CUSTOMER SERVICE SYSTEMS		MAX RECOMMENDED OPERATING TEMPERATURE: 105° C MAX	THIS DRAWING IS A CONTROLLED DOCUMENT.		DWN JR RUTH 26OCT99	TE Connectivity					
FOR ADDITIONAL PRODUCT INFORMATION OR COPIES OF DRAWINGS AND TECHNICAL DOCUMENTS	PRODUCT INFORMATION CENTER 1-800-522-6752	VOLTAGE RATING: 300 V MAX	DIMENSIONS: mm[INCHES]	TOLERANCES UNLESS OTHERWISE SPECIFIED:	CHK RE HERSEY 26OCT99				NAME TERMINAL, RING TONGUE, I.R., PIDG™, WIRE SIZE, 16-14AWG		
FOR APPLICATION TOOLING INFORMATION	TOOLING ASSISTANCE CENTER 1-800-722-1111	WIRE RANGE: CIRC MIL AREA: 16 1.42mm² [2800] 14 2.15mm² [4234]		0 PLC ± - 1 PLC ± - 2 PLC ± 0.20[.008] 3 PLC ± - 4 PLC ± - ANGLES ± -	APVD C PRESNELL 26OCT99	PRODUCT SPEC					
FOR ORDER ENTRY	1-800-526-5142	STRANDED	MATERIAL COPPER PER ASTM B-152 SLEEVE, BLUE NYLON	FINISH TIN PLATE PER ASTM B545	APPLICATION SPEC NOT AVAILABLE	SIZE A3	CAGE CODE 00779	DRAWING NO C-51864	RESTRICTED TO -		
THIS DRAWING IS A CONTROLLED DOCUMENT FOR AMP INCORPORATED. IT IS SUBJECT TO CHANGE AND THE CONTROLLING ENGINEERING ORGANIZATION SHOULD BE CONTACTED FOR THE LATEST REVISION.		MATERIAL COPPER PER ASTM B-152 SLEEVE, BLUE NYLON		FINISH TIN PLATE PER ASTM B545	WEIGHT -		CUSTOMER DRAWING		SCALE NTS	SHEET 2 OF 2	REV AB1