



MICROCHIP

**PIC32MZ Embedded
Connectivity with Floating
Point Unit (EF) Starter Kit
User's Guide**

Note the following details of the code protection feature on Microchip devices:

- Microchip products meet the specification contained in their particular Microchip Data Sheet.
- Microchip believes that its family of products is one of the most secure families of its kind on the market today, when used in the intended manner and under normal conditions.
- There are dishonest and possibly illegal methods used to breach the code protection feature. All of these methods, to our knowledge, require using the Microchip products in a manner outside the operating specifications contained in Microchip's Data Sheets. Most likely, the person doing so is engaged in theft of intellectual property.
- Microchip is willing to work with the customer who is concerned about the integrity of their code.
- Neither Microchip nor any other semiconductor manufacturer can guarantee the security of their code. Code protection does not mean that we are guaranteeing the product as "unbreakable."

Code protection is constantly evolving. We at Microchip are committed to continuously improving the code protection features of our products. Attempts to break Microchip's code protection feature may be a violation of the Digital Millennium Copyright Act. If such acts allow unauthorized access to your software or other copyrighted work, you may have a right to sue for relief under that Act.

Information contained in this publication regarding device applications and the like is provided only for your convenience and may be superseded by updates. It is your responsibility to ensure that your application meets with your specifications. MICROCHIP MAKES NO REPRESENTATIONS OR WARRANTIES OF ANY KIND WHETHER EXPRESS OR IMPLIED, WRITTEN OR ORAL, STATUTORY OR OTHERWISE, RELATED TO THE INFORMATION, INCLUDING BUT NOT LIMITED TO ITS CONDITION, QUALITY, PERFORMANCE, MERCHANTABILITY OR FITNESS FOR PURPOSE. Microchip disclaims all liability arising from this information and its use. Use of Microchip devices in life support and/or safety applications is entirely at the buyer's risk, and the buyer agrees to defend, indemnify and hold harmless Microchip from any and all damages, claims, suits, or expenses resulting from such use. No licenses are conveyed, implicitly or otherwise, under any Microchip intellectual property rights unless otherwise stated.

Trademarks

The Microchip name and logo, the Microchip logo, dsPIC, FlashFlex, flexPWR, JukeBlox, KEELOQ, KEELOQ logo, Kleer, LANCheck, MediaLB, MOST, MOST logo, MPLAB, OptoLyzer, PIC, PICSTART, PIC³² logo, RightTouch, SpyNIC, SST, SST Logo, SuperFlash and UNI/O are registered trademarks of Microchip Technology Incorporated in the U.S.A. and other countries.

The Embedded Control Solutions Company and mTouch are registered trademarks of Microchip Technology Incorporated in the U.S.A.

Analog-for-the-Digital Age, BodyCom, chipKIT, chipKIT logo, CodeGuard, dsPICDEM, dsPICDEM.net, ECAN, In-Circuit Serial Programming, ICSP, Inter-Chip Connectivity, KleerNet, KleerNet logo, MiWi, motorBench, MPASM, MPF, MPLAB Certified logo, MPLIB, MPLINK, MultiTRAK, NetDetach, Omniscient Code Generation, PICDEM, PICDEM.net, PICkit, PICtail, RightTouch logo, REAL ICE, SQI, Serial Quad I/O, Total Endurance, TSHARC, USBCheck, VariSense, ViewSpan, WiperLock, Wireless DNA, and ZENA are trademarks of Microchip Technology Incorporated in the U.S.A. and other countries.

SQTP is a service mark of Microchip Technology Incorporated in the U.S.A.

Silicon Storage Technology is a registered trademark of Microchip Technology Inc. in other countries.

GestIC is a registered trademark of Microchip Technology Germany II GmbH & Co. KG, a subsidiary of Microchip Technology Inc., in other countries.

All other trademarks mentioned herein are property of their respective companies.

© 2015, Microchip Technology Incorporated, Printed in the U.S.A., All Rights Reserved.

ISBN: 978-1-63277-925-0

**QUALITY MANAGEMENT SYSTEM
CERTIFIED BY DNV
= ISO/TS 16949 =**

Microchip received ISO/TS-16949:2009 certification for its worldwide headquarters, design and wafer fabrication facilities in Chandler and Tempe, Arizona; Gresham, Oregon and design centers in California and India. The Company's quality system processes and procedures are for its PIC® MCUs and dsPIC® DSCs, KEELOQ® code hopping devices, Serial EEPROMs, microperipherals, nonvolatile memory and analog products. In addition, Microchip's quality system for the design and manufacture of development systems is ISO 9001:2000 certified.

Object of Declaration:

PIC32MZ Embedded Connectivity with Floating Point Unit (EF) Starter Kit (DM320007, DM320007-C)

EU Declaration of Conformity

Manufacturer: Microchip Technology Inc.
2355 W. Chandler Blvd.
Chandler, Arizona, 85224-6199
USA

This declaration of conformity is issued by the manufacturer.

The development/evaluation tool is designed to be used for research and development in a laboratory environment. This development/evaluation tool is not a Finished Appliance, nor is it intended for incorporation into Finished Appliances that are made commercially available as single functional units to end users under EU EMC Directive 2004/108/EC and as supported by the European Commission's Guide for the EMC Directive 2004/108/EC (8th February 2010).

This development/evaluation tool complies with EU RoHS2 Directive 2011/65/EU.

This development/evaluation tool, when incorporating wireless and radio-telecom functionality, is in compliance with the essential requirement and other relevant provisions of the R&TTE Directive 1999/5/EC and the FCC rules as stated in the declaration of conformity provided in the module datasheet and the module product page available at www.microchip.com.

For information regarding the exclusive, limited warranties applicable to Microchip products, please see Microchip's standard terms and conditions of sale, which are printed on our sales documentation and available at www.microchip.com.

Signed for and on behalf of Microchip Technology Inc. at Chandler, Arizona, USA


Derek Carlson
VP Development Tools

12-Sep-14
Date

PIC32MZ EF Starter Kit User's Guide

NOTES:



PIC32MZ EF STARTER KIT USER'S GUIDE

Table of Contents

Preface	7
Chapter 1. Introduction	
1.1 Kit Contents	13
1.2 Starter Kit Functionality and Features	14
Chapter 2. Hardware	
2.1 Hardware Features	17
Appendix A. Schematics	
A.1 Block Diagram	21
A.2 Schematics	22
Appendix B. Bill of Materials	
B.1 PIC32MZ EF Starter Kit Bill of Materials	29
B.2 LAN8740A PHY Daughter Board Bill of Materials	31
Worldwide Sales and Service	34

PIC32MZ EF Starter Kit User's Guide

NOTES:

Preface

NOTICE TO CUSTOMERS

All documentation becomes dated, and this manual is no exception. Microchip tools and documentation are constantly evolving to meet customer needs, so some actual dialogs and/or tool descriptions may differ from those in this document. Please refer to our web site (www.microchip.com) to obtain the latest documentation available.

Documents are identified with a “DS” number. This number is located on the bottom of each page, in front of the page number. The numbering convention for the DS number is “DSXXXXXXXXA”, where “XXXXXXXX” is the document number and “A” is the revision level of the document.

For the most up-to-date information on development tools, see the MPLAB® X IDE online help. Select the Help menu, and then Topics to open a list of available online help files.

INTRODUCTION

This chapter contains general information that will be useful to know before using the PIC32MZ Embedded Connectivity with Floating Point Unit (EF) Starter Kit. Items discussed in this chapter include:

- [Document Layout](#)
- [Conventions Used in this Guide](#)
- [Recommended Reading](#)
- [The Microchip Web Site](#)
- [Development Systems Customer Change Notification Service](#)
- [Customer Support](#)
- [Document Revision History](#)

DOCUMENT LAYOUT

This document describes how to use the PIC32MZ Embedded Connectivity with Floating Point Unit (EF) Starter Kit (also referred to as “starter kit”) as a development tool to emulate and debug firmware on a target board. This user’s guide is composed of the following chapters:

- **Chapter 1. “Introduction”** provides a brief overview of the starter kit, highlighting its features and uses.
- **Chapter 2. “Hardware”** provides the hardware descriptions of the starter kit.
- **Appendix A. “Schematics”** provides a block diagram, board layouts, and detailed schematics of the starter kit.
- **Appendix B. “Bill of Materials”** provides the bill of materials for the components used in the design and manufacture of the starter kit.

PIC32MZ EF Starter Kit User's Guide

CONVENTIONS USED IN THIS GUIDE

This manual uses the following documentation conventions:

DOCUMENTATION CONVENTIONS

Description	Represents	Examples
Italic characters	Referenced books	<i>MPLAB X IDE User's Guide</i>
	Emphasized text	...is the <i>only</i> compiler...
Initial caps	A window	the Output window
	A dialog	the Settings dialog
	A menu selection	select Enable Programmer
Quotes	A field name in a window or dialog	"Save project before build"
Underlined, italic text with right angle bracket	A menu path	<u><i>File > Save</i></u>
Bold characters	A dialog button	Click OK
	A tab	Click the Power tab
Text in angle brackets < >	A key on the keyboard	Press <Enter>, <F1>
Plain Courier New	Sample source code	#define START
	Filenames	autoexec.bat
	File paths	c:\mcc18\h
	Keywords	_asm, _endasm, static
	Command-line options	-Opa+, -Opa-
	Bit values	0, 1
	Constants	0xFF, 'A'
<i>Italic Courier New</i>	A variable argument	<i>file.o</i> , where <i>file</i> can be any valid filename
Square brackets []	Optional arguments	mcc18 [options] <i>file</i> [options]
Curly brackets and pipe character: { }	Choice of mutually exclusive arguments; an OR selection	errorlevel {0 1}
Ellipses...	Replaces repeated text	var_name [, var_name...]
	Represents code supplied by user	void main (void) { ... }
Notes	A Note presents information that we want to re-emphasize, either to help you avoid a common pitfall or to make you aware of operating differences between some device family members. A Note can be in a box, or when used in a table or figure, it is located at the bottom of the table or figure.	Note: This is a standard note box.
		CAUTION This is a caution note. Note 1: This is a note used in a table.

RECOMMENDED READING

This user's guide describes how to use the starter kit. The following Microchip documents are available and recommended as supplemental reference resources.

PIC32MZ Embedded Connectivity with Floating Point Unit (EF) Family Data Sheet (DS60001320)

Refer to this document for detailed information on PIC32MZ EF family devices. Reference information found in this data sheet includes:

- Device memory maps
- Device pinout and packaging details
- Device electrical specifications
- List of peripherals included on the devices

MPLAB[®] XC32 C/C++ Compiler User's Guide (DS50001686)

This document details the use of Microchip's MPLAB XC32 C/C++ Compiler to develop an application.

MPLAB[®] X IDE User's Guide (DS50002027)

Refer to this document for more information pertaining to the installation and implementation of the MPLAB X IDE software, as well as the MPLAB SIM Simulator software that is included with it.

Universal Serial Bus Specification and Associated Documents

The Universal Serial Bus is defined by the USB 2.0 specification and its associated supplements and class-specific documents. These documents are available from the USB Implementers Forum. See their web site at: <http://www.usb.org>

THE MICROCHIP WEB SITE

Microchip provides online support via our web site at <http://www.microchip.com>. This web site makes files and information easily available to customers. Accessible by most Internet browsers, the web site contains the following information:

- **Product Support** – Data sheets and errata, application notes and sample programs, design resources, user's guides and hardware support documents, latest software releases and archived software
- **General Technical Support** – Frequently Asked Questions (FAQs), technical support requests, online discussion groups, Microchip consultant program member listings
- **Business of Microchip** – Product selector and ordering guides, latest Microchip press releases, listings of seminars and events; and listings of Microchip sales offices, distributors and factory representatives

PIC32MZ EF Starter Kit User's Guide

DEVELOPMENT SYSTEMS CUSTOMER CHANGE NOTIFICATION SERVICE

Microchip's customer notification service helps keep customers current on Microchip products. Subscribers will receive e-mail notification whenever there are changes, updates, revisions or errata related to a specified product family or development tool of interest.

To register, access the Microchip web site at www.microchip.com, click on Customer Change Notification and follow the registration instructions.

The Development Systems product group categories are:

- **Compilers** – The latest information on Microchip C compilers and other language tools
- **Emulators** – The latest information on the Microchip in-circuit emulator, MPLAB REAL ICE™
- **In-Circuit Debuggers** – The latest information on the Microchip in-circuit debugger, MPLAB ICD 3
- **MPLAB X IDE** – The latest information on Microchip MPLAB X IDE, the Windows® Integrated Development Environment for development systems tools
- **Programmiers** – The latest information on Microchip programmers including the PICkit™ 3 development programmer

CUSTOMER SUPPORT

Users of Microchip products can receive assistance through several channels:

- Distributor or Representative
- Local Sales Office
- Field Application Engineer (FAE)
- Technical Support

Customers should contact their distributor, representative or field application engineer (FAE) for support. Local sales offices are also available to help customers. A listing of sales offices and locations is included in the back of this document.

Technical support is available through the web site at: <http://support.microchip.com>.

DOCUMENT REVISION HISTORY

Revision A (August 2015)

This is the initial released version of this user's guide.

Revision B (October 2015)

This revision includes the following updates:

- Added the EU Declaration of Conformity (see [Object of Declaration:](#))
- Updated item 12, Added development board feature item 16, and added component designator references (e.g., U8, etc.) to most items (see [1.2.1 "Development Board"](#))
- The USB-to-UART/I²C Bridge logic schematic was added (see [Figure A-4](#)).

PIC32MZ EF Starter Kit User's Guide

NOTES:

Chapter 1. Introduction

Thank you for purchasing a Microchip Technology PIC32MZ Embedded Connectivity with Floating Point Unit (EF) Starter Kit. This starter kit provides a low-cost, modular development system for Microchip's line of 32-bit microcontrollers.

There are two versions of the starter kit available:

- PIC32MZ EF Starter Kit (P/N: DM320007)
- PIC32MZ EF Starter Kit w/Crypto Engine (P/N: DM320007-C)

Both versions of the starter kit come preloaded with demonstration software that can be used to explore the new features of the PIC32MZ EF family of devices. It is also expandable through a modular expansion interface, which allows the user to extend its functionality. The starter kit also supplies on-board circuitry for full debug and programming capabilities.

This chapter covers the following topics:

- [Kit Contents](#)
- [Starter Kit Functionality and Features](#)

The preprogrammed example code on the PIC32MZ EF family MCU is available for download from the Microchip web site at <http://www.microchip.com>. All project files have been included so that the code may be used directly to restore the PIC32MZ EF family MCU on the starter kit to its original state (i.e., if the sample device has been reprogrammed with another program) or so you can use the tutorial code as a platform for further experimentation.

1.1 KIT CONTENTS

The PIC32MZ EF Starter Kit contains the following items:

- One development board
- One LAN8740A Ethernet PHY Daughter Board
- Two USB mini-B to full-sized A cables (one cable for debug purposes and to power the development board and one cable for USB-to-UART communication)
- One USB micro-B to full-sized A cable (to communicate with the PIC32 USB port)
- One RJ-45 CAT5 Ethernet cable (to communicate with the PIC32 Ethernet port)

Note: If you are missing any part of a kit, contact a Microchip sales office for assistance. A list of Microchip offices for sales and service is provided on the last page of this document.

PIC32MZ EF Starter Kit User's Guide

1.2 STARTER KIT FUNCTIONALITY AND FEATURES

1.2.1 Development Board

Representations of the layout of the development board included in the PIC32MZ EF Starter Kit are shown in [Figure 1-1](#) and [Figure 1-2](#).

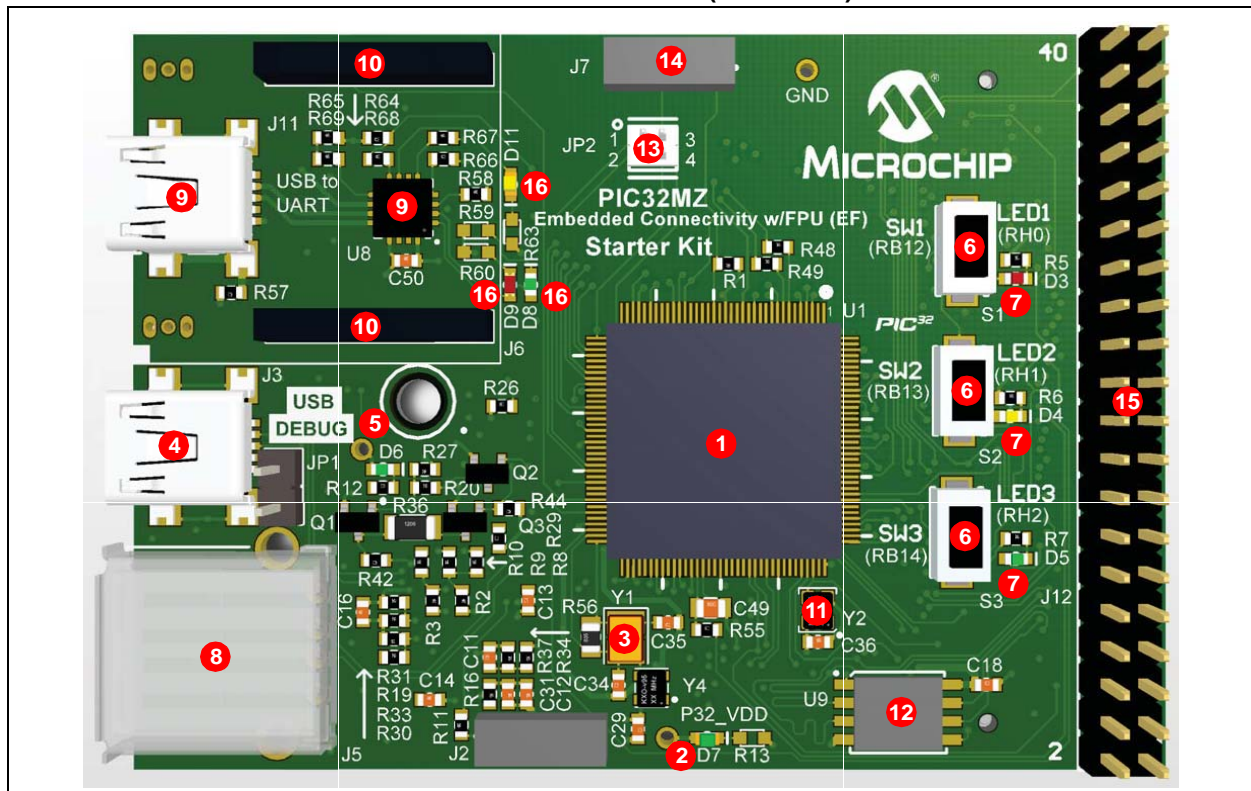
The top assembly of the board includes these key features, as indicated in [Figure 1-1](#):

1. PIC32MZ2048EFH144-I/PH (without Crypto Engine) or PIC32MZ2048EFM144-I/PH (with Crypto Engine) MCU (U1).
2. Green power indicator LED (D7).
3. On-board crystal or oscillator (Y1) for precision microcontroller clocking (24 MHz).
4. USB connectivity for on-board debugger communications.
5. Green debug indicator LED (D6).
6. Three push button switches for user-defined inputs (S1, S2, and S3).
7. Three user-defined indicator LEDs (D3, D4, and D5).
8. USB Type A receptacle connectivity for PIC32 host-based applications.
9. USB-to-UART/I²C communication (U8).
10. Daughter board connectors for flexible Ethernet PHY options.
11. 32 kHz oscillator (Y2) for RTCC and Timer1 (optional).
12. External 4 MB SQI memory for expanded memory applications (U9).
13. Jumper for using or disconnecting the on-board debugger.
14. Connector for an external debugger such as MPLAB[®] REAL ICE or MPLAB ICD 3.
15. 40-pin expansion connector for adding external boards.
16. Three USB-to-USART/I²C communication indicator LEDs (D8, D9, and D11).

Note: When running self-powered USB device applications, open the jumper JP1 to prevent possibly back-feeding voltage onto the VBUS from one port on the host to another (or from one host to another).

For details on these features, refer to [Chapter 2. "Hardware"](#).

FIGURE 1-1: PIC32MZ EF STARTER KIT LAYOUT (TOP VIEW)



PIC32MZ EF Starter Kit User's Guide

1.2.2 LAN8740A PHY Daughter Board

Representation of the layout of the daughter board included in the PIC32MZ EF Starter Kit is shown in [Figure 1-3](#) and [Figure 1-4](#).

FIGURE 1-3: DAUGHTER BOARD LAYOUT (TOP VIEW)

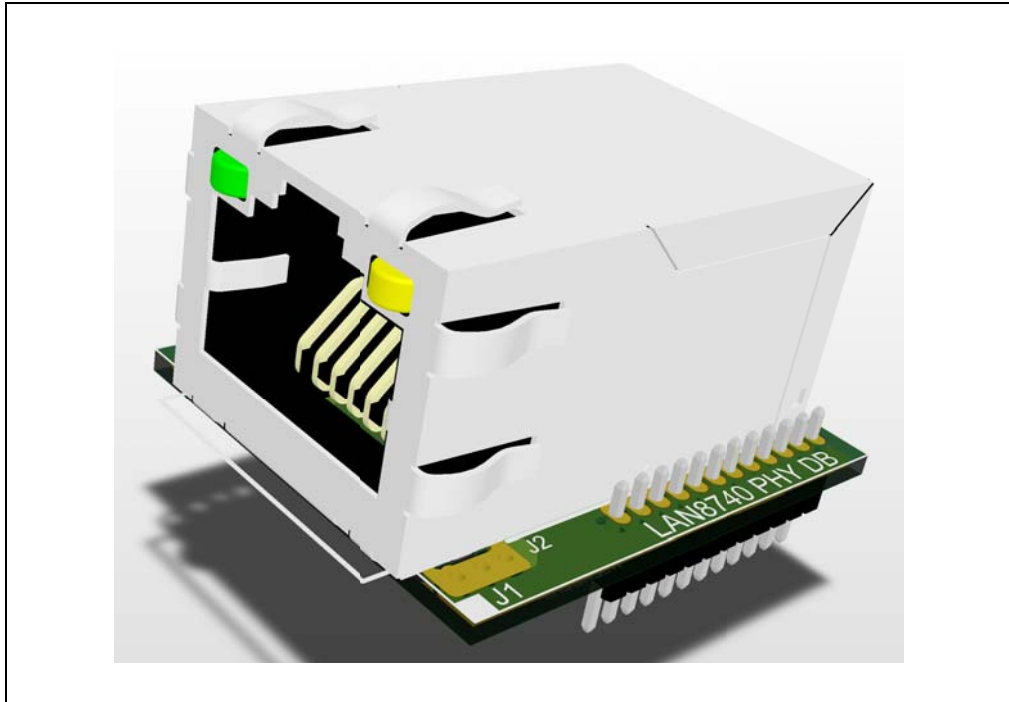
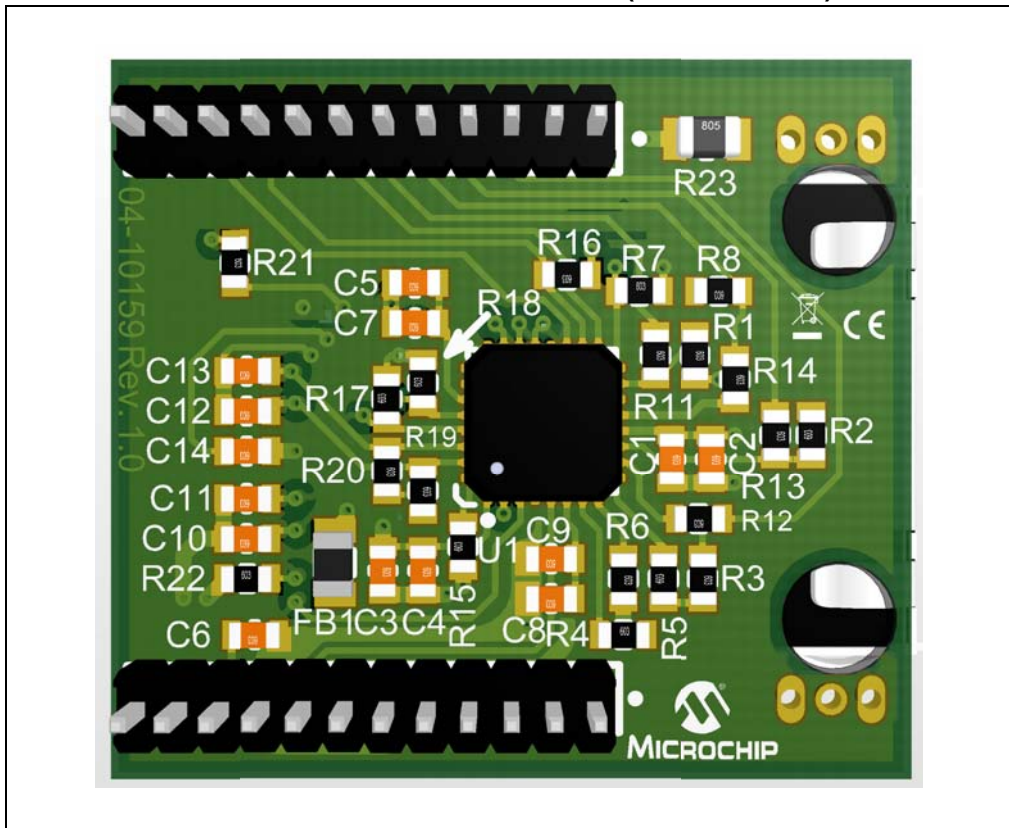


FIGURE 1-4: DAUGHTER BOARD LAYOUT (BOTTOM VIEW)



Chapter 2. Hardware

This chapter describes the hardware features of the PIC32MZ EF Starter Kit.

2.1 HARDWARE FEATURES

The following key features of the starter kit are presented in the order given in [Section 1.2 “Starter Kit Functionality and Features”](#). Refer to [Figure 1-1](#) for their locations on the development board.

2.1.1 Processor Support

Depending on the starter kit purchased, the development board is designed with a permanently mounted (i.e., soldered) processor, which is either the PIC32MZ2048EFM144 (with Crypto Engine) or the PIC32MZ2048EFH144 (without Crypto Engine).

2.1.2 Power Supply

There are three ways to supply power to the starter kit:

- USB bus power connected to USB debug connector J1
- USB bus power connected to the micro-USB connector J4. Note that debugging does not take place through this connector.
- An external application board with a regulated DC power supply that provides +5V can be connected to the J2 application board connector that is provided on the bottom side of the board

One green LED (D3) is provided to indicate the PIC32 device is powered.

2.1.3 Debug USB Connectivity

The starter kit includes a PIC24FJ256GB106 USB microcontroller that provides debugger connectivity over USB. The PIC24FJ256GB106 is hard-wired to the PIC32 device to provide protocol translation through the I/O pins of the PIC24FJ256GB106 to the In-Circuit Serial Programming™ (ICSP™) pins of the PIC32 device.

If an external debugger, such as MPLAB REAL ICE or MPLAB ICD 3 is used with the starter kit, it is necessary to disconnect the on-board debugger from the PIC32 device. To do this, remove the JP2 jumper. When the on-board debugger is required, replace the JP2 jumper. When the JP2 jumper is installed, pin 1 must be connected to pin 3 and pin 2 must be connected to pin 4.

2.1.4 PIC32 USB Connectivity

There are three possible ways to connect to the PIC32 USB microcontroller:

- **HOST Mode** — Connect the device to the Type A connector J5, which is located on the top side of the starter kit. Note that a maximum of ~400 mA can be supplied from the Debug USB port to the Host port using this method. If the full 500 mA supply is needed, an external supply must be connected to the application board.
- **DEVICE Mode** — Connect the debug mini-B USB cable to port J3, and then connect the starter kit to the host using a cable with a Type-B micro-connector to the starter kit's micro-A/B port J4, which is located on the bottom side of the board. The other end of the cable must have a Type-A connector. Connect it to a USB host.
- **OTG Mode** — Connect the starter kit to the OTG device using an OTG micro-A/B cable to the micro-A/B port J4, which is located on the bottom side of the board. The starter kit provides an on-board power supply capable of providing 120 mA Max. This supply is controlled by the PIC32MZ2048EFH144 device.

2.1.5 Switches

Push button switches provide the following functionality:

- SW1: Active-low switch connected to RB12
- SW2: Active-low switch connected to RB13
- SW3: Active-low switch connected to RB14

The switches do not have any debounce circuitry and require the use of internal pull-up resistors; this allows you to investigate software debounce techniques. When Idle, the switches are pulled high (+3.3V), and when pressed, they are grounded.

2.1.6 LEDs

The RH0 through RH2 LEDs are connected to PORTH of the processor. The LATH pins are set high to light the LEDs.

2.1.7 Oscillator Options

A 24 MHz oscillator circuit (Y4) is connected to the on-board microcontroller. This oscillator circuit functions as the controller's primary oscillator. Depending on which is populated on the starter kit board, a 24 MHz crystal (Y1) may be used instead of Y4.

Use of an external crystal is required to develop USB applications. The USB specification dictates a frequency tolerance of $\pm 0.25\%$ for high speed. Non-USB applications can use the internal oscillators.

The starter kit also has provisions for an external secondary 32 kHz oscillator (Y2); however, this is not populated. A suitable oscillator, the ECS-3X8, can be obtained from Digi-Key: P/N - X801-ND CMR200TB32.768KDZFTR.

The PIC24FJ256GB106 is independently clocked and has its own 12 MHz crystal.

2.1.8 168-pin Modular Expansion Connector

The PIC32MZ Embedded Connectivity with Floating Point Unit (EF) Starter Kit has been designed with a 168-pin modular expansion interface, which allows the board to provide basic generic functionality and easy extendability to new technologies as they become available.

TABLE 2-1: STARTER KIT CONNECTOR PART NUMBERS

Connector	HIROSE Electric PN
Starter Kit Connector	FX10A-168P-SV1(71)
Application Board Connector	FX10A-168S-SV

2.1.9 Ethernet PHY

The Microchip LAN8740A PHY Daughter Board is populated with a low-power, small-footprint, 10/100 Fast Ethernet LAN8740A PHY, which features Energy Efficient Ethernet (IEEE 802.3az) and Wake-on-LAN functionality. This daughter board is designed for easy development of RMII Ethernet control applications when it is connected into a compatible PIC32 starter kit.

To use a different Ethernet PHY other than what is offered, visit the microchipDIRECT website (www.microchipdirect.com) for the list of alternate options.

2.1.10 USB-to-UART/I²C Communication

To facilitate application debug and development, a MCP2221 USB-to-UART/I²C device (U8) is available. The MCP2221 creates a virtual COM port on the personal computer when a mini-USB cable is connected between J11 and the host personal computer. To download the driver for the MCP2221, please visit the MCP2221 product page (www.microchip.com/MCP2221).

Libraries are also available on the MCP2221 web site that allow the host PC to communicate with the PIC32MZ EF device through the I²C bus. Pull-up resistors are provided (R64 and R65).

If the features of the MCP2221 are not desired, disconnect the MCP2221 from the PIC32MZ EF device by removing resistors R66, R67, R68, and R69.

Table 2-2 lists the MCP2221 UART and I²C pins that are connected to the PIC32MZ EF device.

TABLE 2-2: MCP2221 UART PIN CONNECTIONS

MCP2221 (see Note)		PIC32MZ EF Device		PIC32MZ Device UART/I ² C Function
Pin #	Function	Pin #	Full Pin Name	
4	RX	61	AN9/RPB14/SCK3/RB14	U2TX
5	TX	14	AN14/C1IND/RPG6/SCK2/RG6	U2RX
9	SCL	16	AN12/C2IND/RPG8/SCL4/RG8	SCL4
10	SDA	15	AN13/C1INC/RPG7/SDA4/RG7	SDA4

Note: The $\overline{\text{CTS}}$ and $\overline{\text{RTS}}$ functions are not required, but are available if desired. The MCP2221 configuration utility can be used to turn those functions on and off.

PIC32MZ EF Starter Kit User's Guide

The following three LEDs are available to provide a visual indication of activity on the MCP2221:

- D8 — A red LED, which indicates receive activity (data from the PIC32)
- D9 — A green LED, which indicates transmit activity (data to the PIC32)
- D11 — A yellow LED, which indicates activity on the I²C bus

Note: Since the MCP2221 receive (RX) line shares the same pin as SW3, SW3 cannot be used in an application where the MCP2221 is also used.

2.1.11 40-pin Expansion Connector

On the back of the starter kit is a 40-pin (2 x 20) header (J12) that can be used to add expansion boards to the starter kit. The header provides 2-pin UART (through UART4 or UART6), I²C (through I2C2), SPI (through SPI1) and GPIO capabilities. [Table 2-3](#) lists the pins and the functions available through them.

TABLE 2-3: J12 CONNECTIONS

Function 1	Function 2	Pin	Pin	Function 2	Function 1
—	+3V3	1	2	+5V	—
RA3	SDA2	3	4	+5V	—
RA2	SCL2	5	6	GND	—
RA14	—	7	8	UxTX	RG6
—	GND	9	10	UxRX	RB14
RD0	—	11	12	—	RF2
RJ13	—	13	14	GND	—
RB3	—	15	16	—	RK1
—	+3V3	17	18	—	RK2
RF5	MOSI	19	20	GND	—
RF4	MISO	21	22	—	RK3
RD1	SCLK	23	24	—	RJ5
—	GND	25	26	—	RJ7
—	No Connect	27	28	No Connect	—
RH7	—	29	30	GND	—
RH9	—	31	32	—	RH11
RK4	—	33	34	GND	—
RK5	—	35	36	—	RK6
RD10	—	37	38	—	RH15
—	GND	39	40	—	RJ3

Appendix A. Schematics

A.1 BLOCK DIAGRAM

FIGURE A-1: HIGH-LEVEL BLOCK DIAGRAM OF THE PIC32MZ EF STARTER KIT

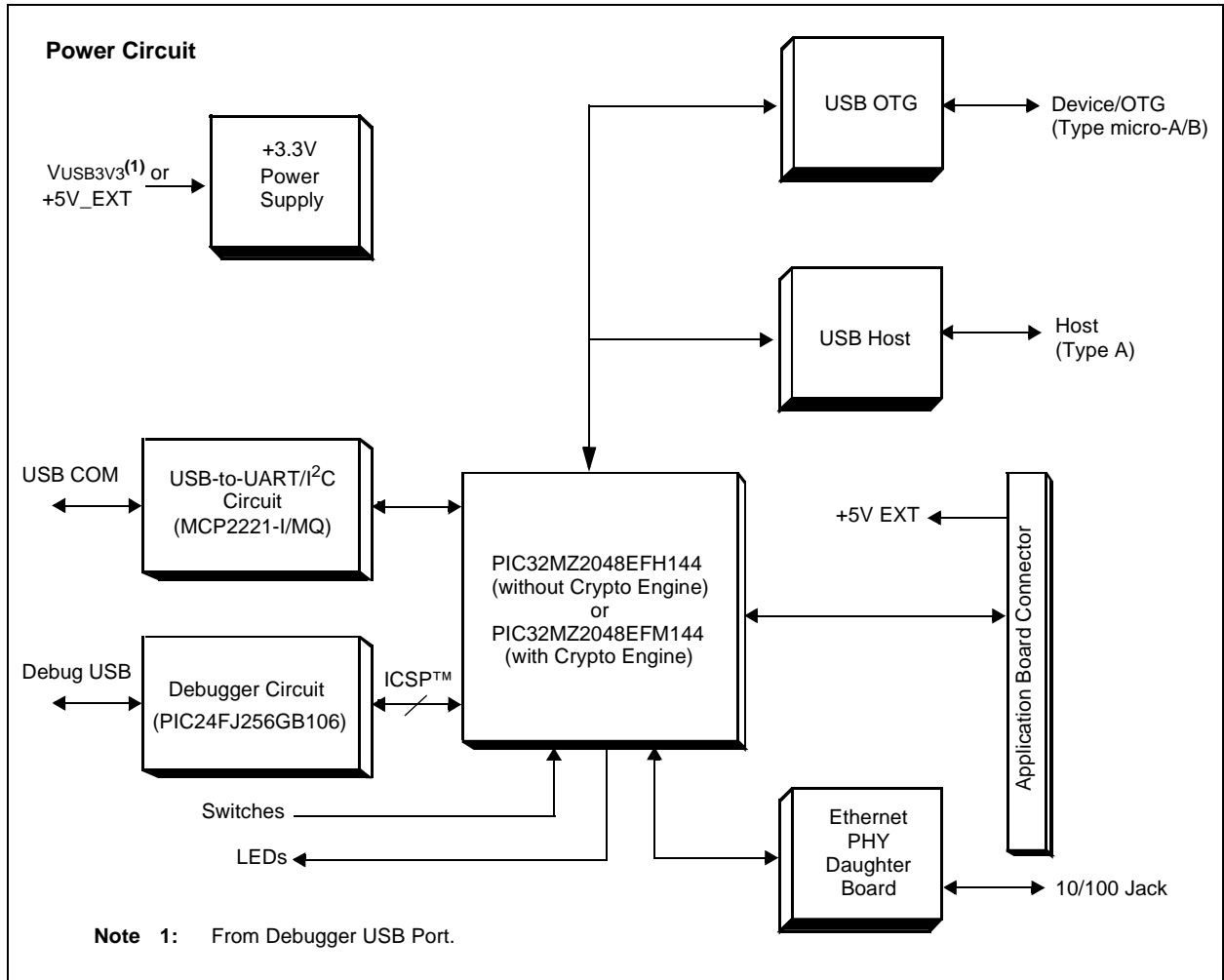
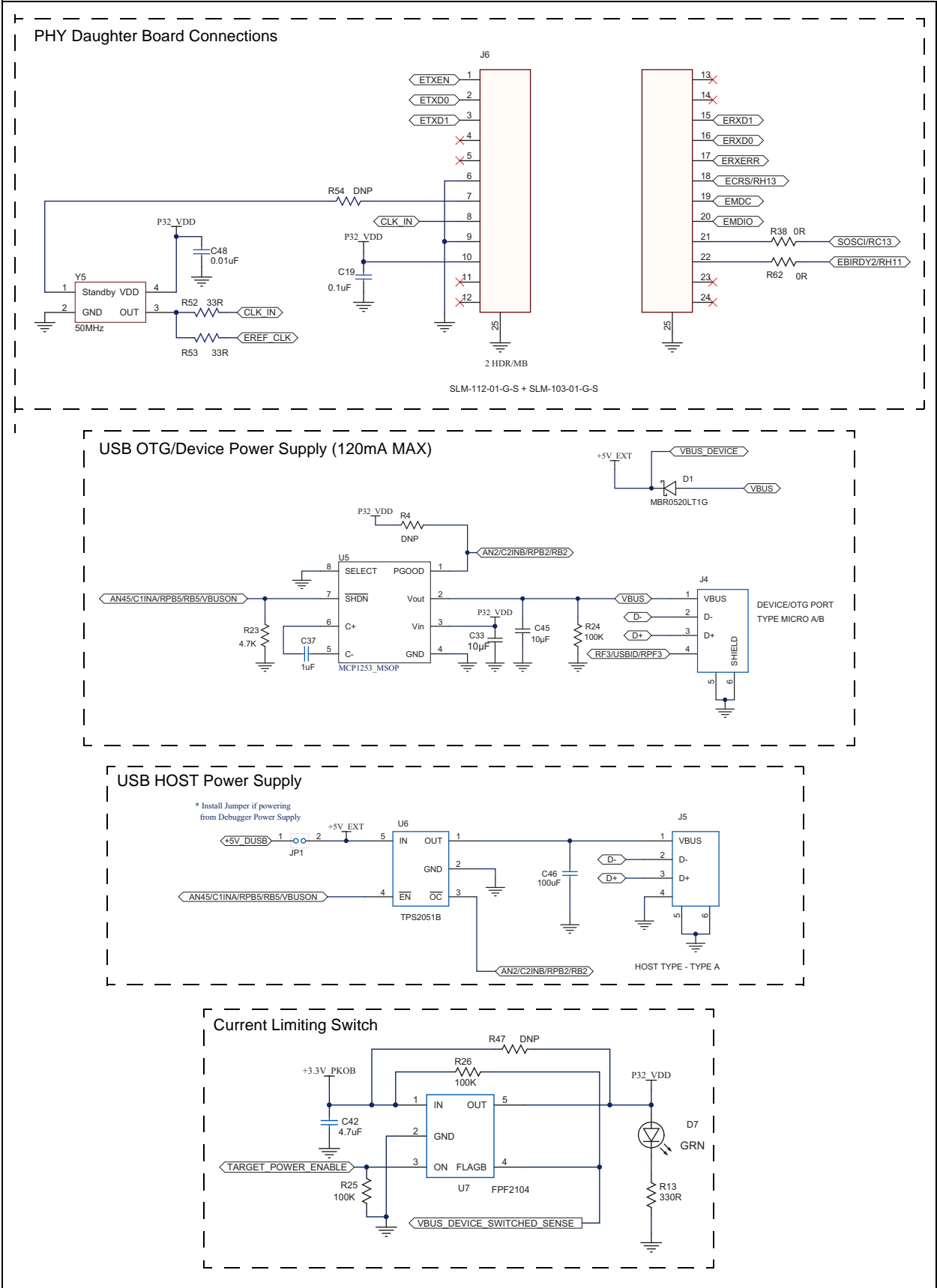


FIGURE A-3: USB HOST AND OTG POWER SUPPLY SCHEMATICS



PIC32MZ EF Starter Kit User's Guide

FIGURE A-4: USB-TO-UART/I²C BRIDGE

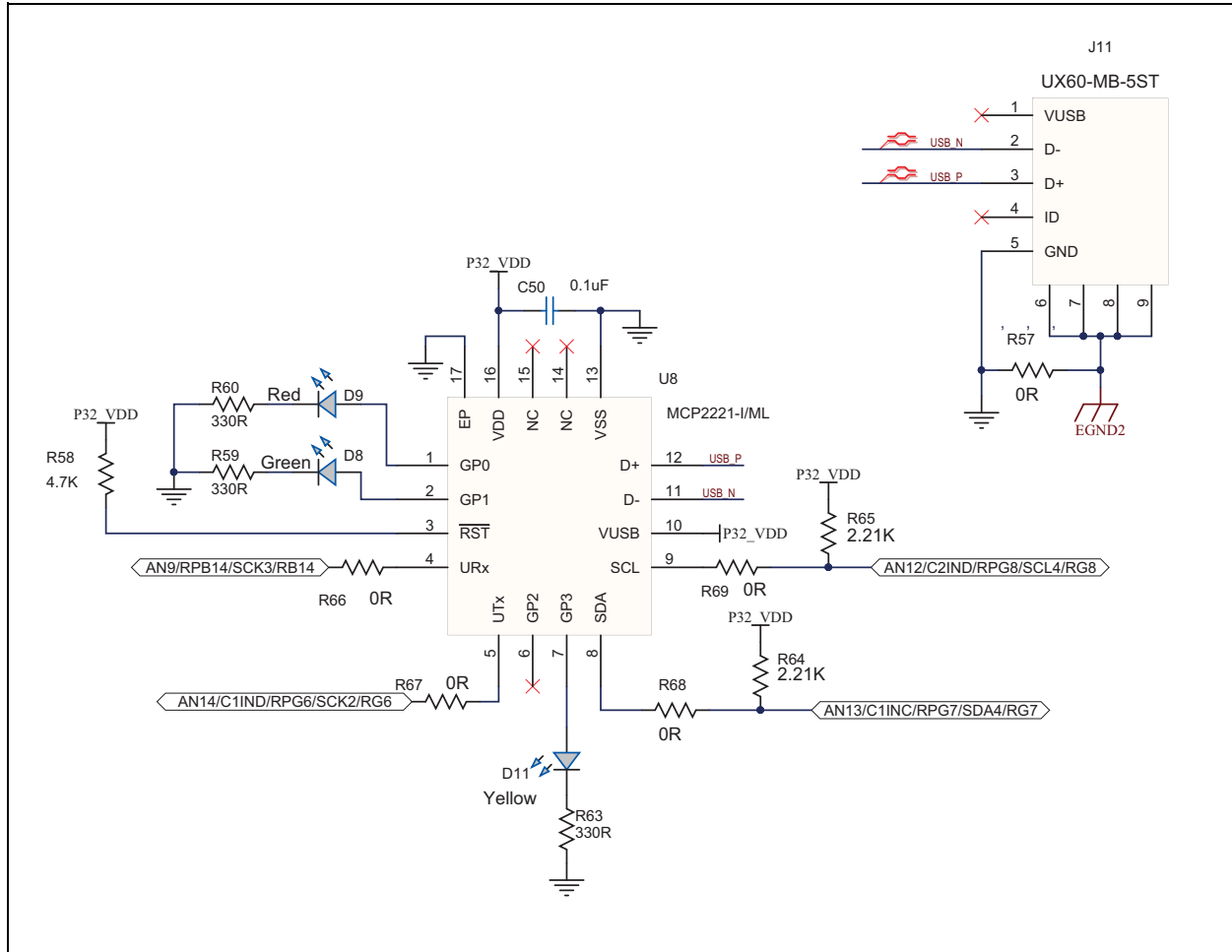
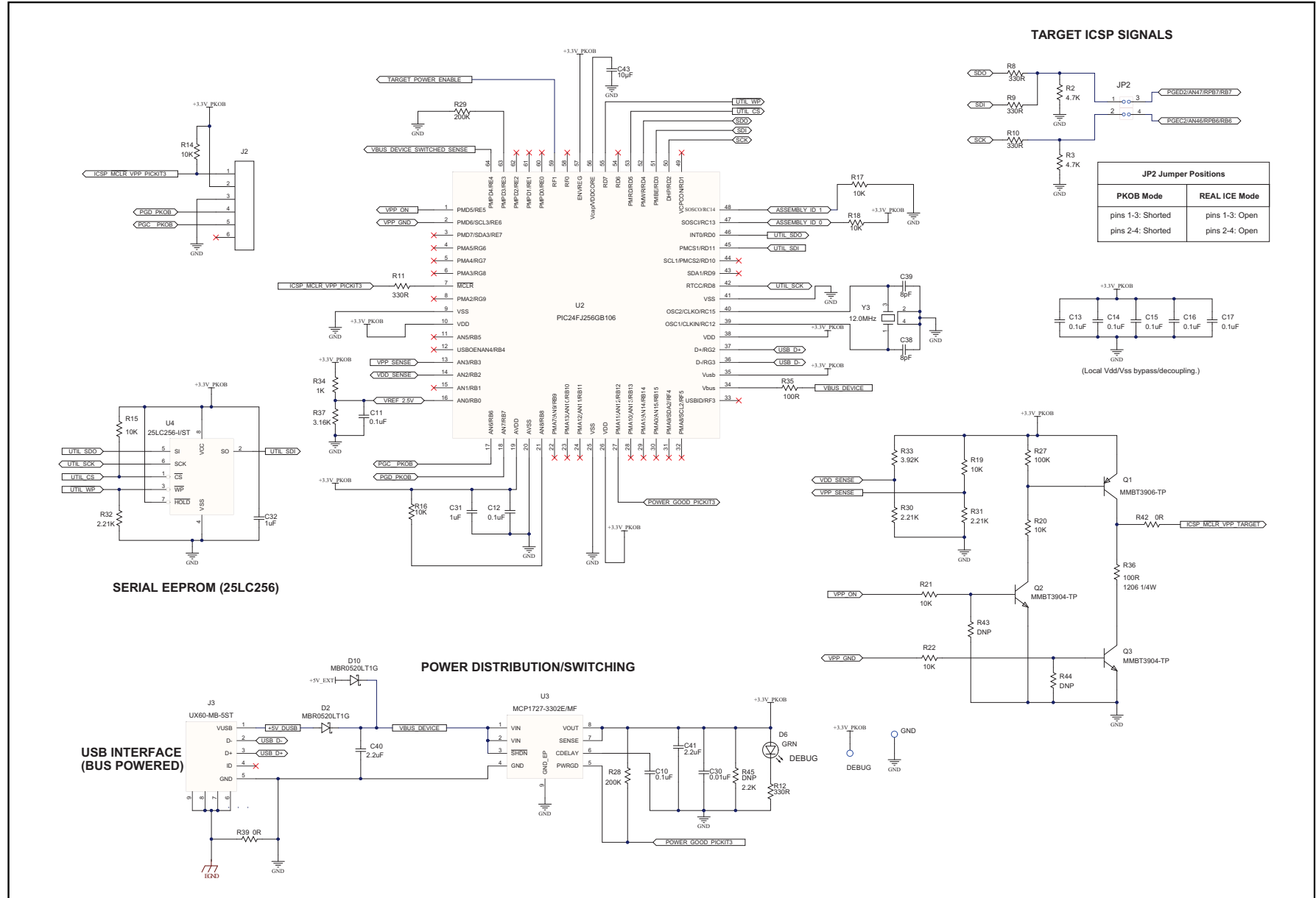


FIGURE A-5: DEBUGGER SCHEMATICS



JP2 Jumper Positions

PKOB Mode	REAL ICE Mode
pins 1-3: Shorted	pins 1-3: Open
pins 2-4: Shorted	pins 2-4: Open

PIC32MZ EF Starter Kit User's Guide

FIGURE A-6: APPLICATION BOARD CONNECTOR, SQI MEMORY AND POWER, LEDS, AND SWITCHES SCHEMATICS

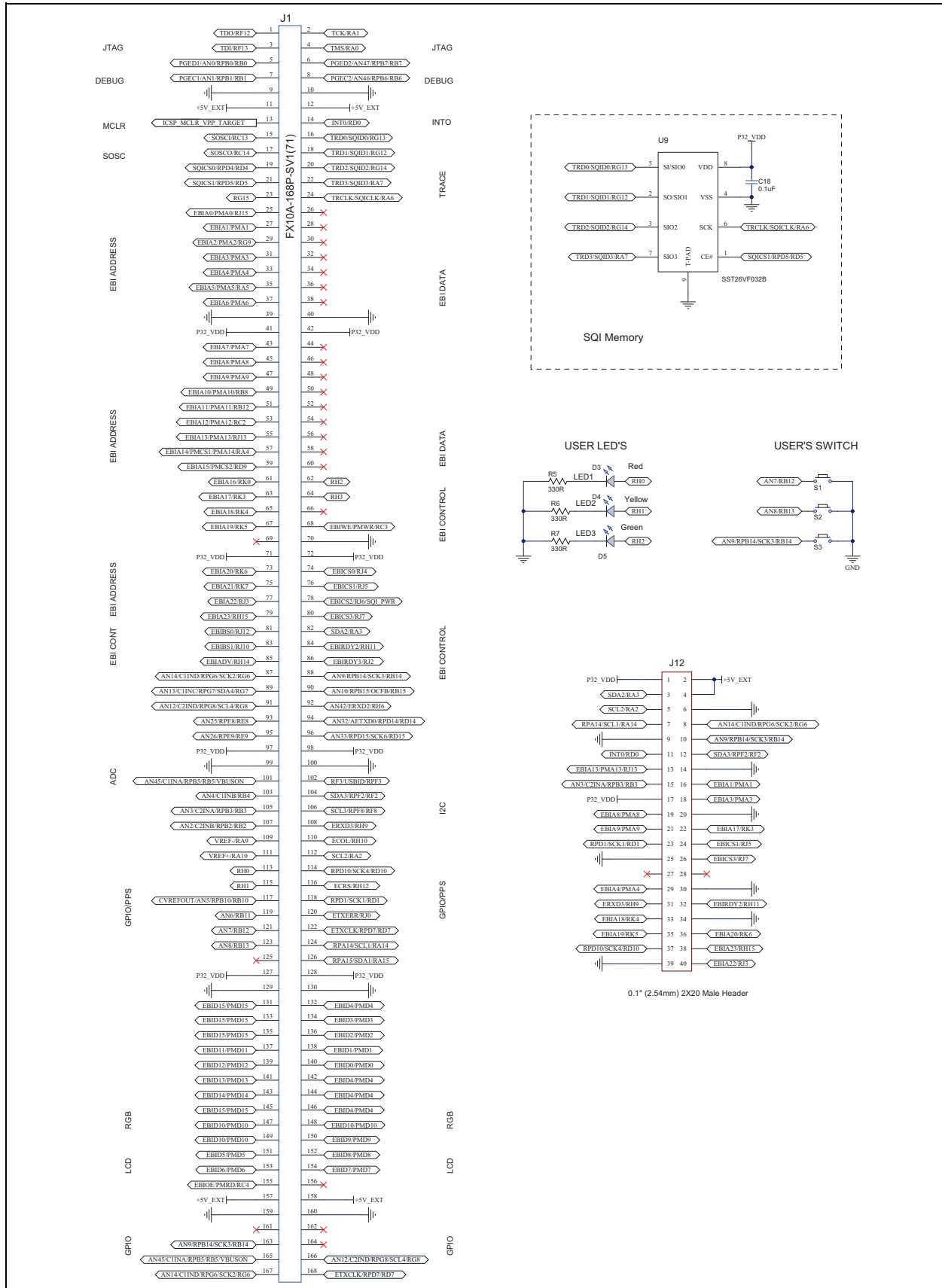
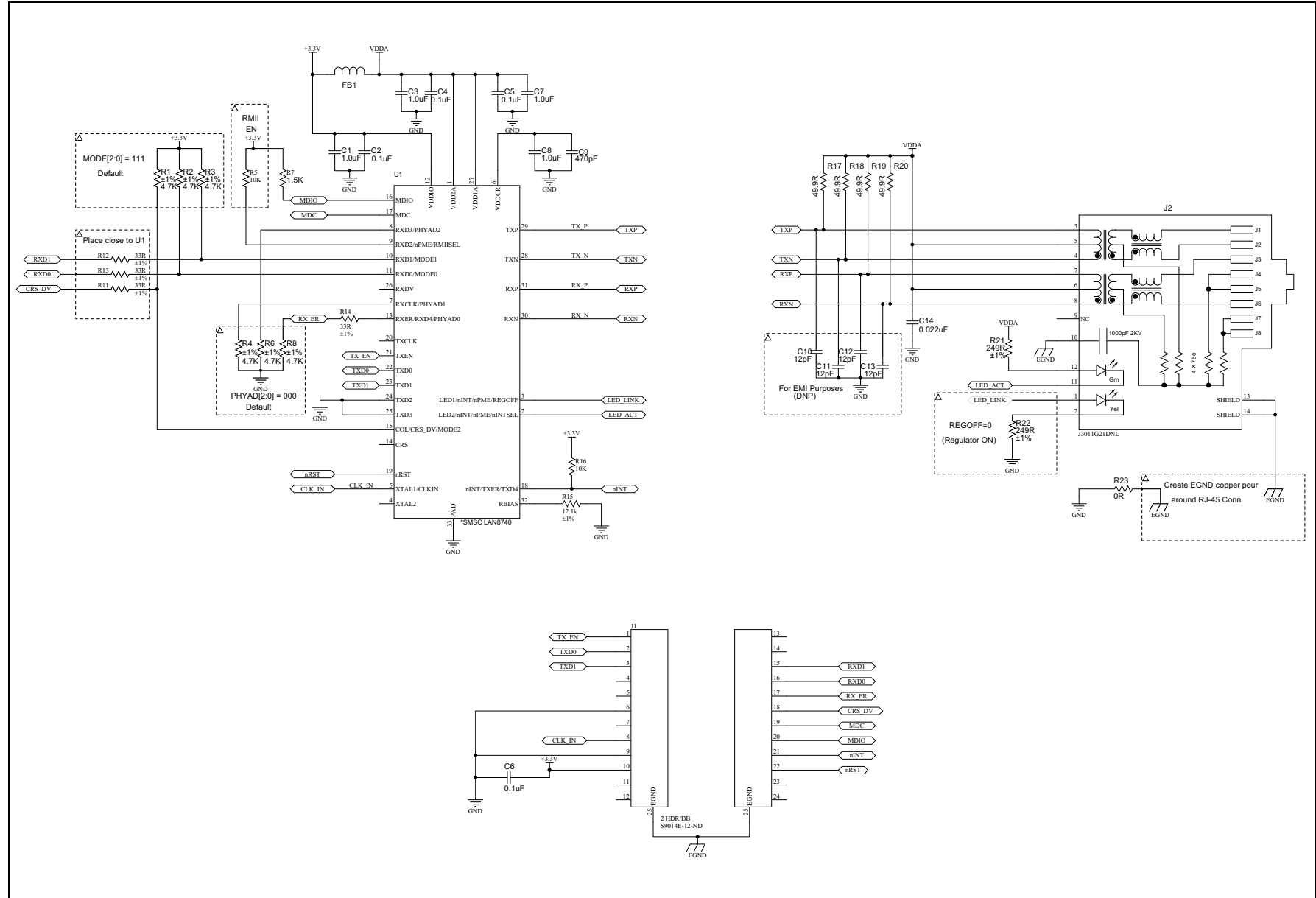


FIGURE A-7: LAN8740A PHY DAUGHTER BOARD SCHEMATICS



PIC32MZ EF Starter Kit User's Guide

NOTES:



PIC32MZ EF STARTER KIT USER'S GUIDE

Appendix B. Bill of Materials

B.1 PIC32MZ EF STARTER KIT BILL OF MATERIALS

TABLE B-1: BILL OF MATERIALS

Reference	Description	Manufacturer	Part No.
C1, C2, C3, C4, C5, C6, C7, C8, C9, C10, C11, C12, C13, C14, C15, C16, C17, C18, C19, C50	CAP CER .10 μ F 50V X7R 0603	TDK Corporation	C1608X7R1H104M080AA
C20, C21, C22, C23, C24, C25, C26, C27, C28, C29, C30, C48	Cap, Ceramic, 0.01 μ F, 50V X7R, Cap,	TDK Corporation	C1608X7R1H103M080AA
C31, C32, C37	CAP CER 1.0 μ F 16V X5R 10% 0603	TDK Corporation	C1608X5R1C105K080AA
C33, C43, C45	CAP CER 10 μ F 16V Y5V 0805	Murata Electronics North America	GRM21BF51C106ZE15L
C38, C39	CAP CER 8 μ F 50V NP0 0603	TDK Corporation	C1608C0G1H080D080AA
C40, C41	CAP CER 2.2 μ F 16V X5R 0603	TDK Corporation	C1608X5R1C225K080AB
C42	CAP CER 4.7 μ F 6.3V 10% X5R 0603	Taiyo Yuden	JMK107BJ475KA-T
C46	CAP CER 100 μ F 6.3V Y5V 1206	Murata Electronics North America	GRM31CF50J107ZE01L
D1, D2, D10	DIODE SCHOTTKY 20V 0.5A SOD123	ON Semiconductor	MBR0520LT1G
D3, D9	LED, SMD, RED, 0603 package	Kingbright	APT1608EC
D4, D11	LED, SMD, YEL, 0603 package	Kingbright	APT1608YC
D5, D6, D7, D8	LED GREEN CLEAR THIN 0603 SMD	Kingbright	APT1608SGC
DEBUG	TEST POINT PC MINI .040"D WHITE	Keystone Electronics	5002
GND	TEST POINT PC MINI .040"D BLACK	Keystone Electronics	5001
J1	Hirose FX10_ 168 pin Header	Hirose Electric Co Ltd	FX10A-168P-SV1(71)
J7	CONN HEADER .050" 6POS PCB GOLD	Sullins Connector Solutions	GRPB061VWVN-RC
J3, J11	CONN RECEPT MINI USB2.0 5POS	Hirose Electric Co Ltd	UX60-MB-5ST
J4	CONN USB TYPE MICRO_A/B	Hirose Electric Co Ltd	ZX62-AB-5PA(11)
J5	CONN USB TYPE A R/A BLACK	On Shore Technology Inc	USB-A1HSB6
J6	12POS 0.05" SINGLE ROW TH HEADER	Sullins Connector Solutions	LPPB121NFFN-RC
J12	CONN HEADER .1" 2X20 MALE TH	Samtec	FTS-102-01-L-D
JP1	CONN HEADER .100" SNGL STR 2POS	Samtec	TSW-102-07-F-S
JP2	2X2 (0.05"x 0.05") TH HEADER	Samtec	TWS-120-08-L-D
P32_VDD	TEST POINT PC MINI .040"D RED	Keystone Electronics	5000
Q1	TRANS SS PNP 40V 300MW SOT23	Micro Commercial Co	MMBT3906-TP
Q2, Q3	TRANSISTOR NPN GP 40V SOT23	Micro Commercial Co	MMBT3904-TP
R1, R2, R3, R23, R58	RES 4.7K OHM 1/10W 1% 0603 SMD	Stackpole Electronics Inc	RMCF0603FT4K70

Note 1: Depending on the starter kit purchased, the development board will be populated with either a PIC32MZ2048EFM144 (with Crypto Engine) device or a PIC32MZ2048EFH144 device (without Crypto Engine).

PIC32MZ EF Starter Kit User's Guide

TABLE B-1: BILL OF MATERIALS (CONTINUED)

Reference	Description	Manufacturer	Part No.
R5, R6, R7, R8, R9, R10, R11, R12, R13, R59, R60, R63	RES 330 OHM 1/10W 1% 0603 SMD	Stackpole Electronics Inc.	RMCF0603FT330R
R14, R15, R16, R17, R18, R19, R20, R21, R22	RES 10K OHM 1/10W 1% 0603 SMD	Stackpole Electronics Inc.	RMCF0603FT10K0
R24, R25, R26, R27	RES 100K OHM 1/10W 1% 0603 SMD	Stackpole Electronics Inc.	RMCF0603FT100K
R28, R29	RES 200K OHM 1/10W 1% 0603 SMD	Stackpole Electronics Inc.	RMCF0603FT200K
R30, R31, R32, R64, R65	RES 2.21K OHM 1/10W 1% 0603 SMD	Panasonic Electronic Components	ERJ-3EKF2211V
R33	RES 3.92K OHM 1/10W 1% 0603 SMD	Yageo	RC0603FR-073K92L
R34	RES 1K OHM 1/10W 1% 0603 SMD	Stackpole Electronics Inc.	RMCF0603FT1K00
R35	RES 100 OHM 1/10W 1% 0603 SMD	Yageo	RC0603JR-07100RL
R36	RES 100 OHM 1/4W 1% 1206 SMD	Yageo	RC1206FR-07100RL
R37	RES 3.16K OHM 1/10W 1% 0603 SMD	Yageo	RC0603FR-073K16L
R38, R39, R42, R55, R57, R62, R66, R67, R68, R69	RES 0.0 OHM 1/10W 0603 SMD	Panasonic Electronic Components	ERJ-3GEY0R00V
R48, R49, R50, R51, R52, R53	RES 33 OHM 1/10W 1% 0603 SMD	Stackpole Electronics Inc.	RMCF0603FT33R0
S1, S2, S3	SWITCH TACTILE SPST-NO 0.05A 12V	C&K Components	PTS635SK25SMTR LFS
U1 (see Note 1)	PIC32MZ2048EFM144-I/PH (Crypto)	Microchip Technology Inc.	PIC32MZ2048EFM144-I/PH
U1 Alternative (see Note 1)	PIC32MZ2048EFH144-I/PH (Non-Crypto)	Microchip Technology Inc.	PIC32MZ2048EFH144-I/PH
U2	IC PIC MCU FLASH 256K 64-TQFP	Microchip Technology Inc.	PIC24FJ256GB106-I/PT
U3	IC REG LDO 1.5A 3.3V 8DFN	Microchip Technology Inc.	MCP1727-3302E/MF
U4	IC EEPROM 256 KBIT 10 MHz 8 TSSOP	Microchip Technology Inc.	25LC256-I/ST
U5	IC MULT CONFIG 3.3/5V .12A 8 MSOP	Microchip Technology Inc.	MCP1253-33X50I/MS
U6	IC PWR DIST SWITCH SNGL SOT23-5	Texas Instruments	TPS2051BDBVR
U7	IC SWITCH LOAD FULL FUNC SOT23-5	Fairchild Semiconductor	FPF2104
U8	IC USB TO UART 20 QFN	Microchip Technology Inc.	MCP2221-I/ML
U9	IC FLASH 32MBIT	Microchip Technology Inc.	SST26VF032BA-104I/SM
Y3	CRYSTAL 12.000000 MHZ 8 µF SMD	NDK	NX3225SA-12.000MHZ-STD-CSR-1
Y4	ASDMB-24.000MHZ-LC-T	Abracon LLC	ASDMB-24.000MHZ-LC-T
Y5	OSC MEMS 50.000 MHZ_1.8V~3.3V SMD	Abracon LLC	ASEMB-50.000MHZ-LC-T
@J6	3POS 0.05" SINGLE ROW TH HEADER	Samtec	SLM-103-103-L-S
@JP1	SHUNT JUMPER .1" BLACK GOLD	3M	969102-0000-DA
installed @ JP2	SHUNT 2POS (0.05" X0.05")	SULLINS	NPB02DVFN-RC
Foot (bottom)	BUMPON CYLINDRICAL .375X.135 BLK	3M	SJ61A8
Y1	CRYSTAL 24.000 MHz 8 µF SMD	AVX Corp/Kyocera Corp.	CX3225GA24000D0PTVZ1
Y2	OSCILLATOR 32.768 kHz 3.3V SMD	CTS-Frequency Controls	TC25L5I32K7680

Note 1: Depending on the starter kit purchased, the development board will be populated with either a PIC32MZ2048EFM144 (with Crypto Engine) device or a PIC32MZ2048EFH144 device (without Crypto Engine).

B.2 LAN8740A PHY DAUGHTER BOARD BILL OF MATERIALS

TABLE B-2: LAN8740A PHY DAUGHTER BOARD BILL OF MATERIALS

Reference	Description	Manufacturer	Part No.
C1, C3, C7, C8	Cap, Ceramic, 1 μ F, 16V X5R	TDK Corporation	C1608X5R1C105K
C2, C4, C5, C6	Cap, Ceramic, 0.1 μ F, 50V X7R	TDK Corporation	C1608X7R1H104M
C9	CAP 470 μ F 50V CERAMIC X7R 0603	Yageo	CC0603KRX7R9BB471
C10, C11, C12, C13	CAP CER 12 μ F 50V 5% NPO 0603	Yageo	CC0603JRNPO9BN120
C14	CAP CER 0.022 μ F 50V 20% X7R 0603	Murata Electronics North America	GRM188R71H223MA01D
FB1	FERRITE CHIP 600 OHM 500 mA 0805	TDK Corporation	MMZ2012Y601B
J1	TWO CONN HEADER .050" 12 POS PCB GOLD	Sullins Connector Solutions	GRPB121VWVN-RC
@J1	TWO CONN HEADER .050" 3 POS PCB GOLD	Sullins Connector Solutions	GRPB031VWVN-RC
J2	CONN MAGJACK 1 PORT 100 BASE-TX	Pulse Electronics Corporation	J3011G21DNL
R1, R2, R3, R4, R6, R8	RES 4.70K OHM 1/10W 1% 0603 SMD	Panasonic - ECG	ERJ-3EKF4701V
R5, R16	RES 10K OHM 1/10W 1% 0603 SMD	Stackpole Electronics Inc.	RMCF0603FT10K0
R7	RES 1.50K OHM 1/10W 1% 0603 SMD	Vishay Dale	CRCW06031K50FKEA
R11, R12, R13, R14	RES 33 OHM 1/10W 1% 0603 SMD	Stackpole Electronics Inc.	RMCF0603FT33R0
R15	RES 12.1K OHM 1/10W 1% 0603 SMD	Stackpole Electronics Inc.	RMCF0603FT12K1
R17, R18, R19, R20	RES TF 1/10W 49.9 OHM 1% 0603	Stackpole Electronics Inc.	RMCF0603FG49R9
R21, R22	RES TF 1/10W 249 OHM 1% 0603	Stackpole Electronics Inc.	RMCF0603FG249R
R23	RES 0.0 OHM 1/4W 0805 SMD	Yageo	RC0805JR-070RL
U1	TX/RX Ethernet 32-pin QFN	Microchip Technology Inc.	LAN8740A

PIC32MZ EF Starter Kit User's Guide

NOTES:

NOTES:



MICROCHIP

Worldwide Sales and Service

AMERICAS

Corporate Office
2355 West Chandler Blvd.
Chandler, AZ 85224-6199
Tel: 480-792-7200
Fax: 480-792-7277
Technical Support:
<http://www.microchip.com/support>
Web Address:
www.microchip.com

Atlanta
Duluth, GA
Tel: 678-957-9614
Fax: 678-957-1455

Austin, TX
Tel: 512-257-3370

Boston
Westborough, MA
Tel: 774-760-0087
Fax: 774-760-0088

Chicago
Itasca, IL
Tel: 630-285-0071
Fax: 630-285-0075

Cleveland
Independence, OH
Tel: 216-447-0464
Fax: 216-447-0643

Dallas
Addison, TX
Tel: 972-818-7423
Fax: 972-818-2924

Detroit
Novi, MI
Tel: 248-848-4000

Houston, TX
Tel: 281-894-5983

Indianapolis
Noblesville, IN
Tel: 317-773-8323
Fax: 317-773-5453

Los Angeles
Mission Viejo, CA
Tel: 949-462-9523
Fax: 949-462-9608

New York, NY
Tel: 631-435-6000

San Jose, CA
Tel: 408-735-9110

Canada - Toronto
Tel: 905-673-0699
Fax: 905-673-6509

ASIA/PACIFIC

Asia Pacific Office
Suites 3707-14, 37th Floor
Tower 6, The Gateway
Harbour City, Kowloon

Hong Kong
Tel: 852-2943-5100
Fax: 852-2401-3431

Australia - Sydney
Tel: 61-2-9868-6733
Fax: 61-2-9868-6755

China - Beijing
Tel: 86-10-8569-7000
Fax: 86-10-8528-2104

China - Chengdu
Tel: 86-28-8665-5511
Fax: 86-28-8665-7889

China - Chongqing
Tel: 86-23-8980-9588
Fax: 86-23-8980-9500

China - Dongguan
Tel: 86-769-8702-9880

China - Hangzhou
Tel: 86-571-8792-8115
Fax: 86-571-8792-8116

China - Hong Kong SAR
Tel: 852-2943-5100
Fax: 852-2401-3431

China - Nanjing
Tel: 86-25-8473-2460
Fax: 86-25-8473-2470

China - Qingdao
Tel: 86-532-8502-7355
Fax: 86-532-8502-7205

China - Shanghai
Tel: 86-21-5407-5533
Fax: 86-21-5407-5066

China - Shenyang
Tel: 86-24-2334-2829
Fax: 86-24-2334-2393

China - Shenzhen
Tel: 86-755-8864-2200
Fax: 86-755-8203-1760

China - Wuhan
Tel: 86-27-5980-5300
Fax: 86-27-5980-5118

China - Xian
Tel: 86-29-8833-7252
Fax: 86-29-8833-7256

ASIA/PACIFIC

China - Xiamen
Tel: 86-592-2388138
Fax: 86-592-2388130

China - Zhuhai
Tel: 86-756-3210040
Fax: 86-756-3210049

India - Bangalore
Tel: 91-80-3090-4444
Fax: 91-80-3090-4123

India - New Delhi
Tel: 91-11-4160-8631
Fax: 91-11-4160-8632

India - Pune
Tel: 91-20-3019-1500

Japan - Osaka
Tel: 81-6-6152-7160
Fax: 81-6-6152-9310

Japan - Tokyo
Tel: 81-3-6880-3770
Fax: 81-3-6880-3771

Korea - Daegu
Tel: 82-53-744-4301
Fax: 82-53-744-4302

Korea - Seoul
Tel: 82-2-554-7200
Fax: 82-2-558-5932 or
82-2-558-5934

Malaysia - Kuala Lumpur
Tel: 60-3-6201-9857
Fax: 60-3-6201-9859

Malaysia - Penang
Tel: 60-4-227-8870
Fax: 60-4-227-4068

Philippines - Manila
Tel: 63-2-634-9065
Fax: 63-2-634-9069

Singapore
Tel: 65-6334-8870
Fax: 65-6334-8850

Taiwan - Hsin Chu
Tel: 886-3-5778-366
Fax: 886-3-5770-955

Taiwan - Kaohsiung
Tel: 886-7-213-7828

Taiwan - Taipei
Tel: 886-2-2508-8600
Fax: 886-2-2508-0102

Thailand - Bangkok
Tel: 66-2-694-1351
Fax: 66-2-694-1350

EUROPE

Austria - Wels
Tel: 43-7242-2244-39
Fax: 43-7242-2244-393

Denmark - Copenhagen
Tel: 45-4450-2828
Fax: 45-4485-2829

France - Paris
Tel: 33-1-69-53-63-20
Fax: 33-1-69-30-90-79

Germany - Dusseldorf
Tel: 49-2129-3766400

Germany - Karlsruhe
Tel: 49-721-625370

Germany - Munich
Tel: 49-89-627-144-0
Fax: 49-89-627-144-44

Italy - Milan
Tel: 39-0331-742611
Fax: 39-0331-466781

Italy - Venice
Tel: 39-049-7625286

Netherlands - Druenen
Tel: 31-416-690399
Fax: 31-416-690340

Poland - Warsaw
Tel: 48-22-3325737

Spain - Madrid
Tel: 34-91-708-08-90
Fax: 34-91-708-08-91

Sweden - Stockholm
Tel: 46-8-5090-4654

UK - Wokingham
Tel: 44-118-921-5800
Fax: 44-118-921-5820

07/14/15

Mouser Electronics

Authorized Distributor

Click to View Pricing, Inventory, Delivery & Lifecycle Information:

[Microchip:](#)

[DM320007-C](#) [DM320007](#)