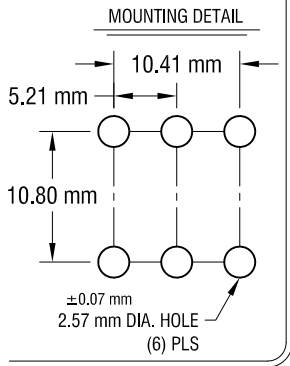
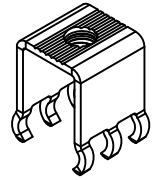
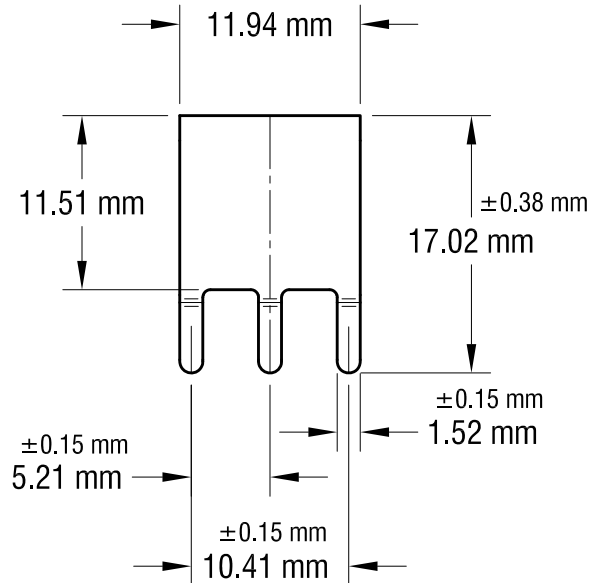
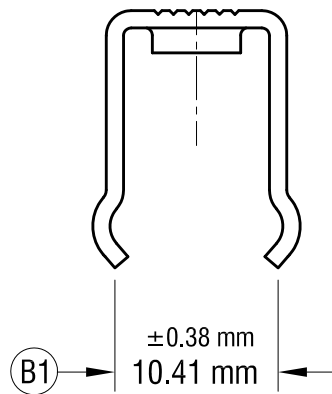
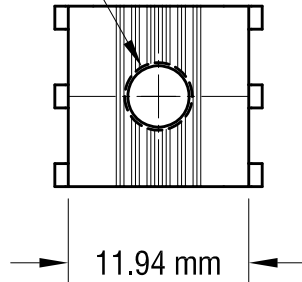


THIS DOCUMENT IS THE PROPERTY OF KEYSTONE ELECTRONICS CORP. AND SHALL NOT BE REPRODUCED, DISTRIBUTED OR USED AS A BASIS FOR MANUFACTURE WITHOUT PRIOR WRITTEN PERMISSION FROM KEYSTONE ELECTRONICS CORP.

**ACTUAL SIZE**



M5 x 0.8  
THREAD



**NOTE:**

1. ALL DIMENSION ARE IN MILLIMETERS.

4.25.16	(B1) WAS 10.8 ±0.38 CHANGE AS PER ECN 16-049	B
9029.09	CHANGE AS PER ECN 137	A
DATE	DESCRIPTION	REV.

<b>KEYSTONE ELECTRONICS CORP.</b>			
www.keyelco.com • ASTORIA, N.Y. 11105-2017 • Tel (718) 956-8900			
PART NAME PC METRIC SCREW TERMINAL			
MATERIAL 1.14 mm TH'K BRASS			
FINISH MATTE TIN PLATE		DRN BY NT	DATE 7.01.08
		APP'D LN	SCALE 2X
TOLERANCES DECIMAL ANGULAR	INCH [MM] [±0.25]	CODE C	DWG NO. <b>7807</b>
UNLESS OTHERWISE SPECIFIED			

# Mouser Electronics

Authorized Distributor

Click to View Pricing, Inventory, Delivery & Lifecycle Information:

[Keystone Electronics:](#)

[7807](#)