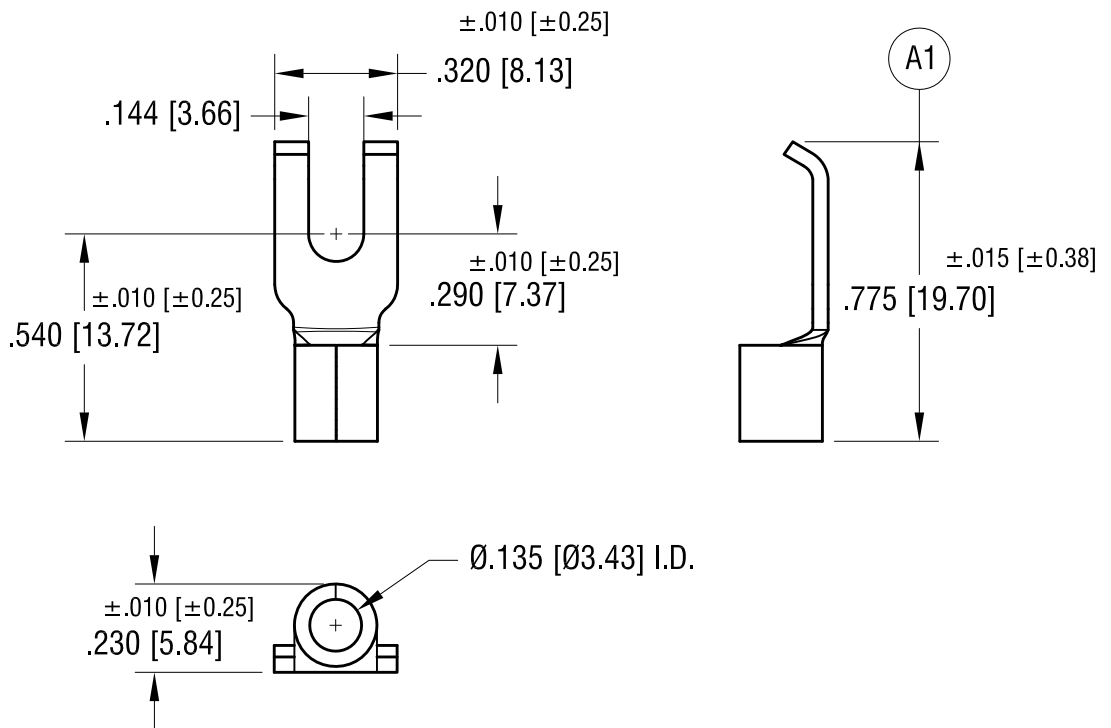
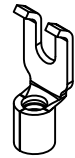


THIS DOCUMENT IS THE PROPERTY OF  
KEYSTONE ELECTRONICS CORP. AND  
SHALL NOT BE REPRODUCED, DISTRIBUTED  
OR USED AS A BASIS FOR MANUFACTURE  
WITHOUT PRIOR WRITTEN PERMISSION  
FROM KEYSTONE ELECTRONICS CORP.

ACTUAL SIZE



NOTE:

1. ACCOMMODATES WIRE RANGE 12/10 AWG

12.13.17	A1 WAS .730 [18.54] CHANGE AS PER ECN 17-075	A
DATE	DESCRIPTION	REV.

<b>KEYSTONE ELECTRONICS CORP.</b>			
www.keyelco.com • NEW HYDE PARK, NY 11040 • Tel (516) 328-7500			
PART NAME <b>FLANGE BLOCK SPADE TERMINAL</b>			
MATERIAL <b>.040 [1.02] TH'K COPPER</b>			
FINISH <b>TIN PLATE</b>		DRN BY <b>NT</b>	DATE <b>10.29.07</b>
		APP'D <b>LN</b>	SCALE <b>2X</b>
TOLERANCES	INCH [MM]	CODE	DWG NO.
DECIMAL	$\pm .005 [\pm 0.13]$	<b>C</b>	<b>8242</b>
ANGULAR	$\pm 1^\circ$	UNLESS OTHERWISE SPECIFIED	

# Mouser Electronics

Authorized Distributor

Click to View Pricing, Inventory, Delivery & Lifecycle Information:

[Keystone Electronics:](#)

[8242](#)