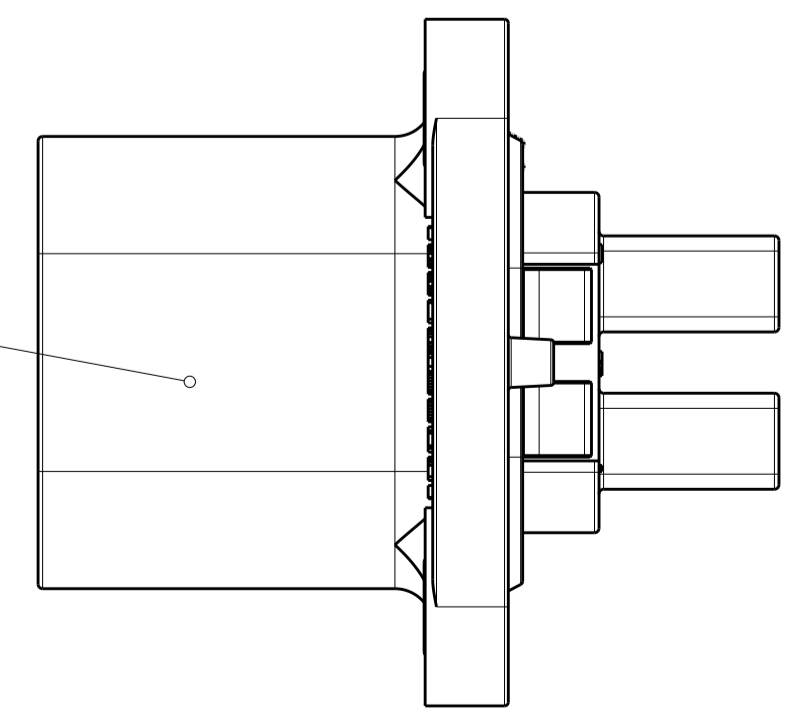
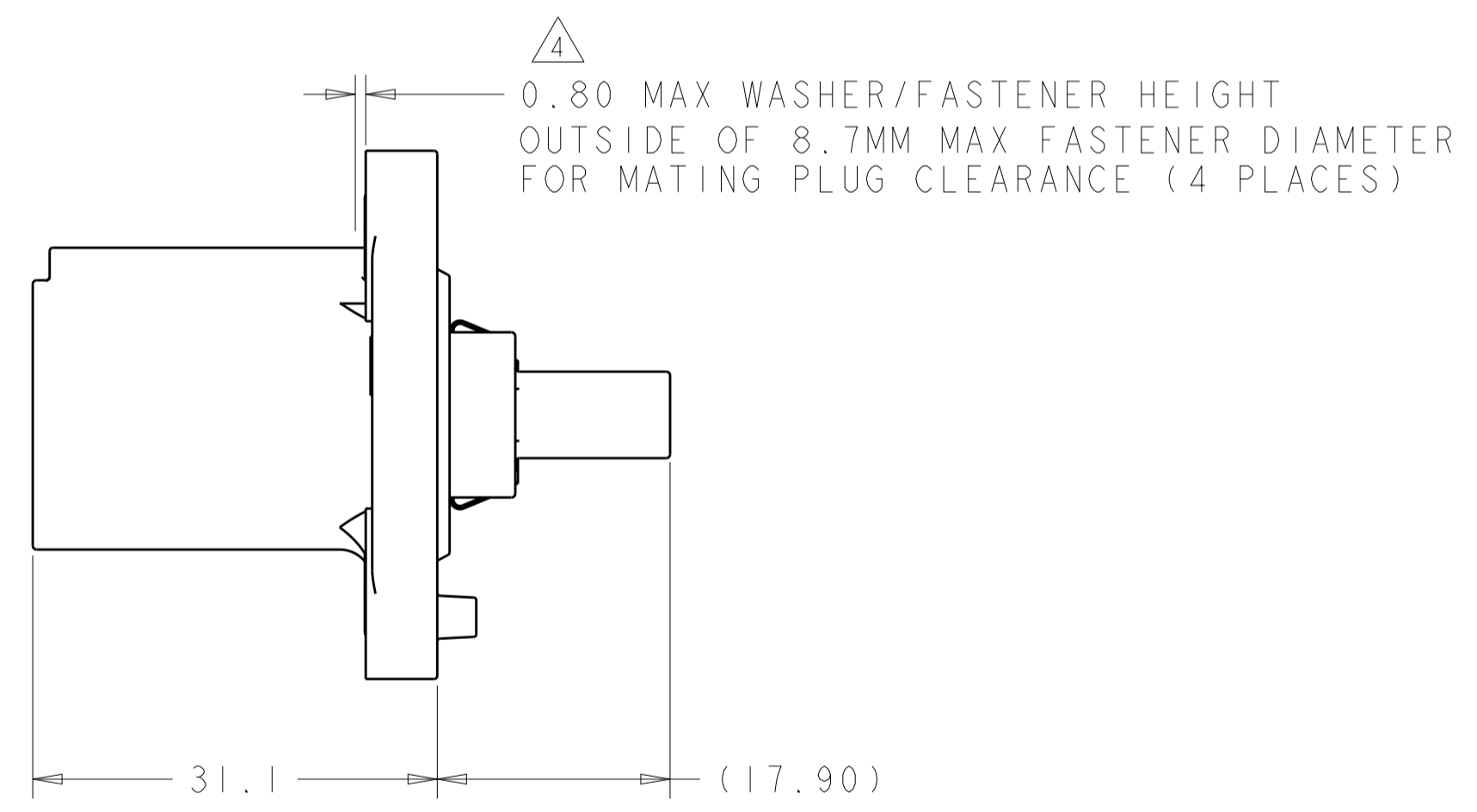
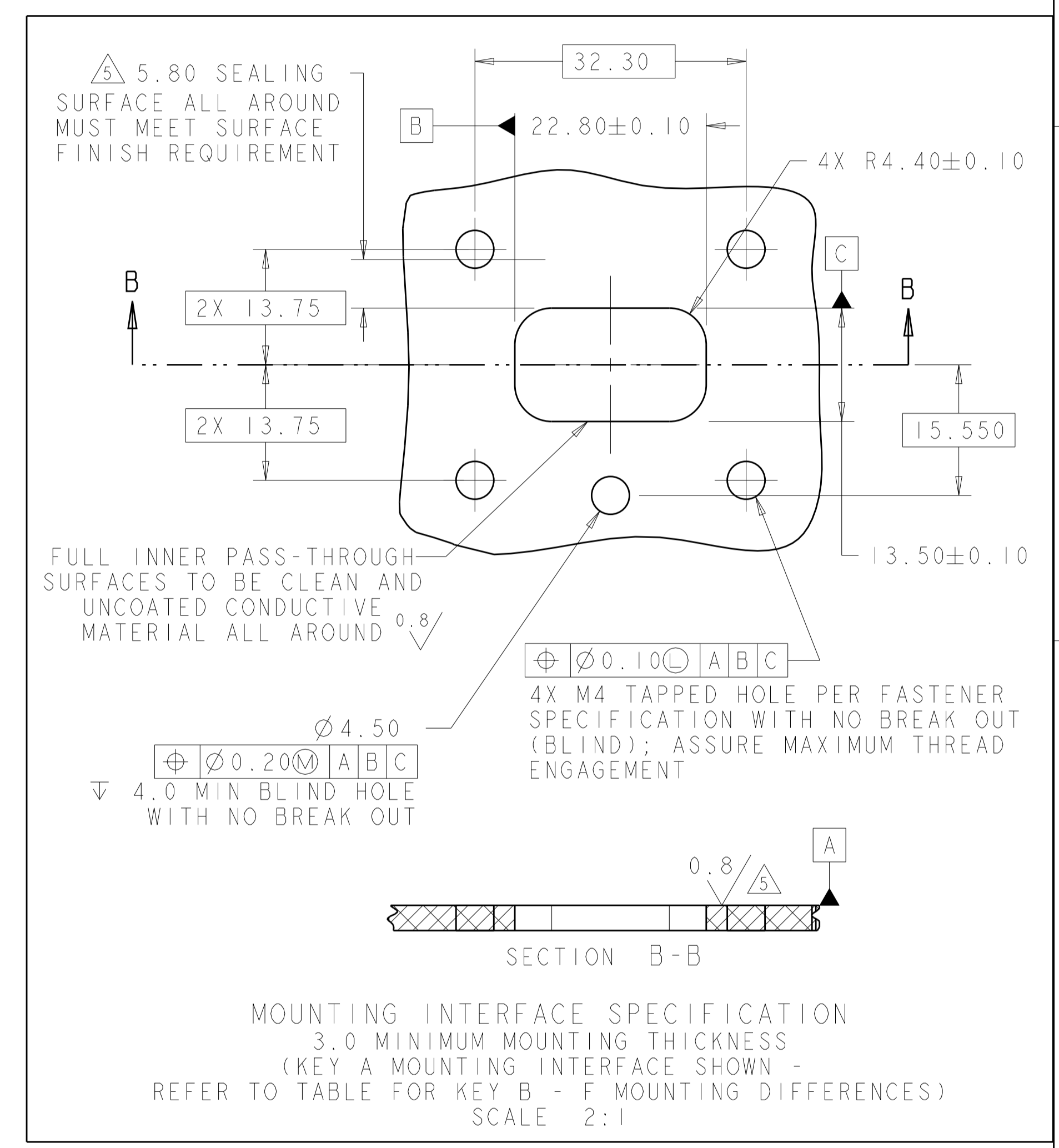
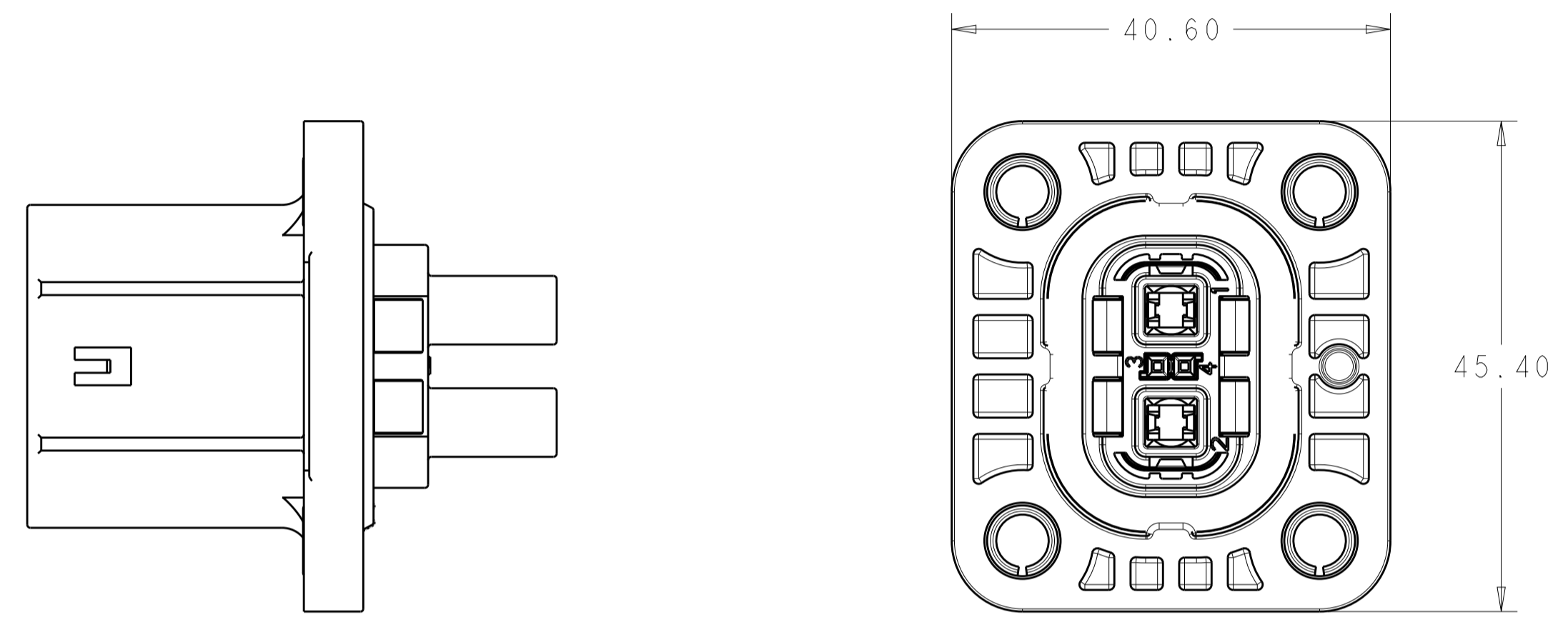
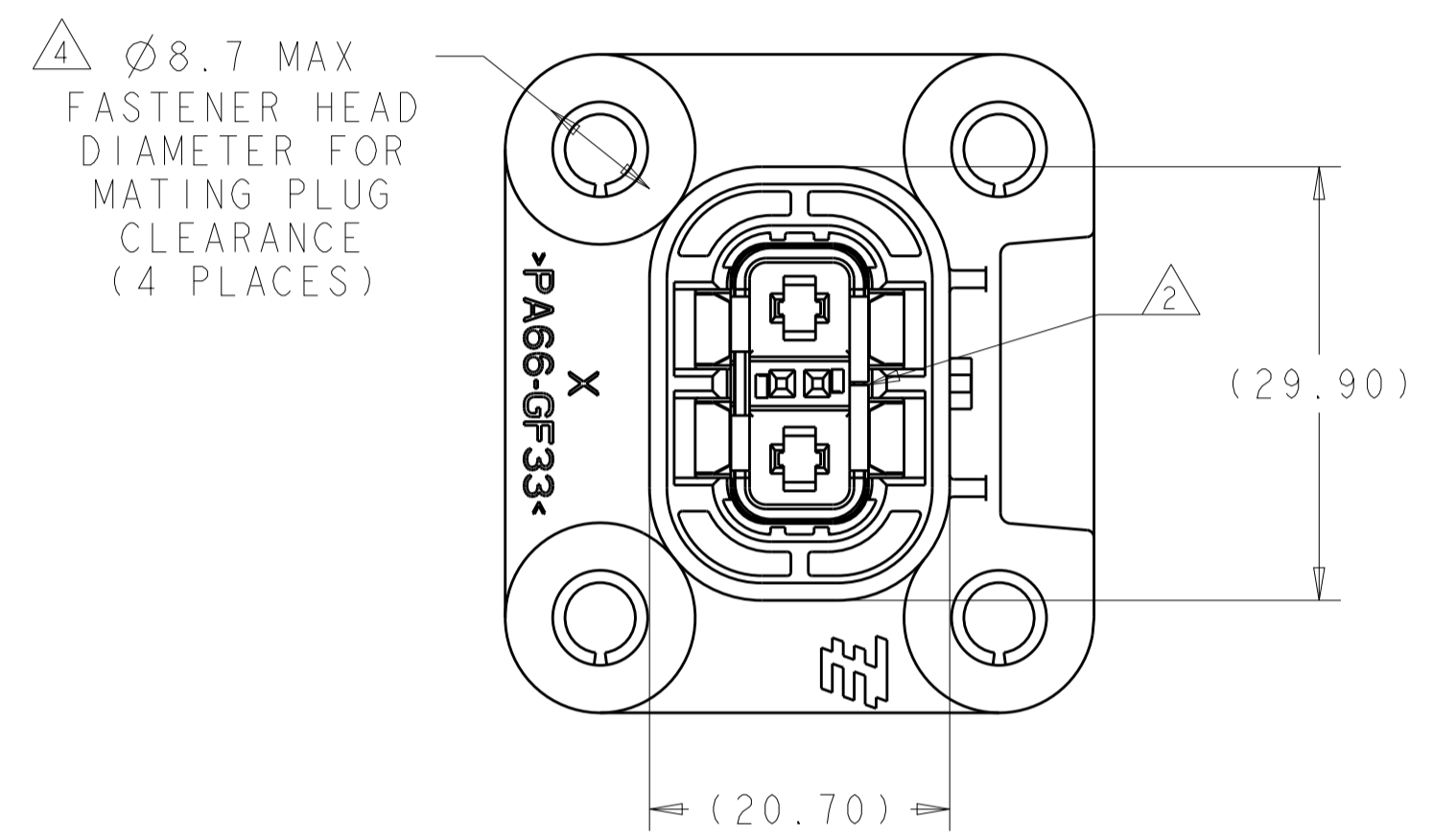
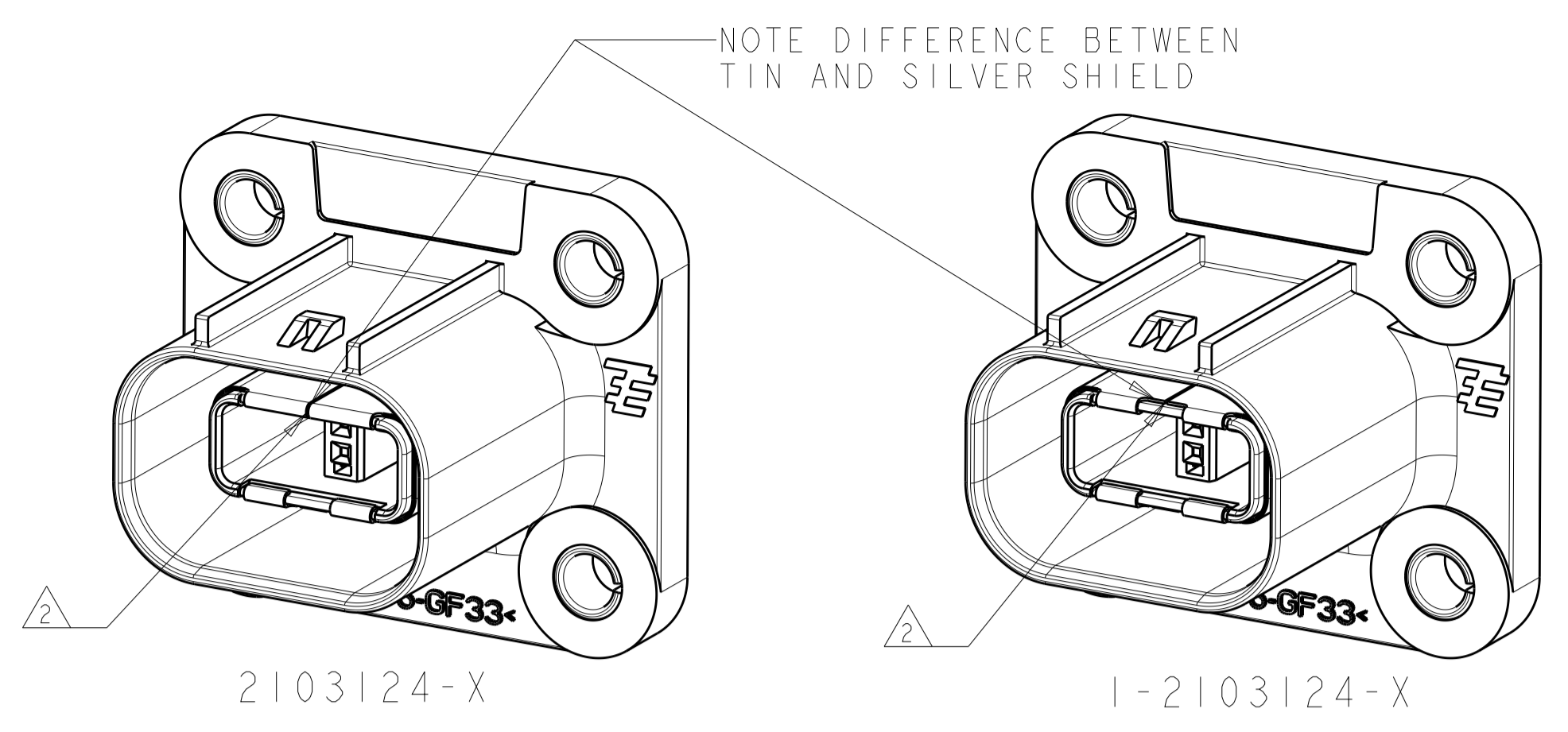
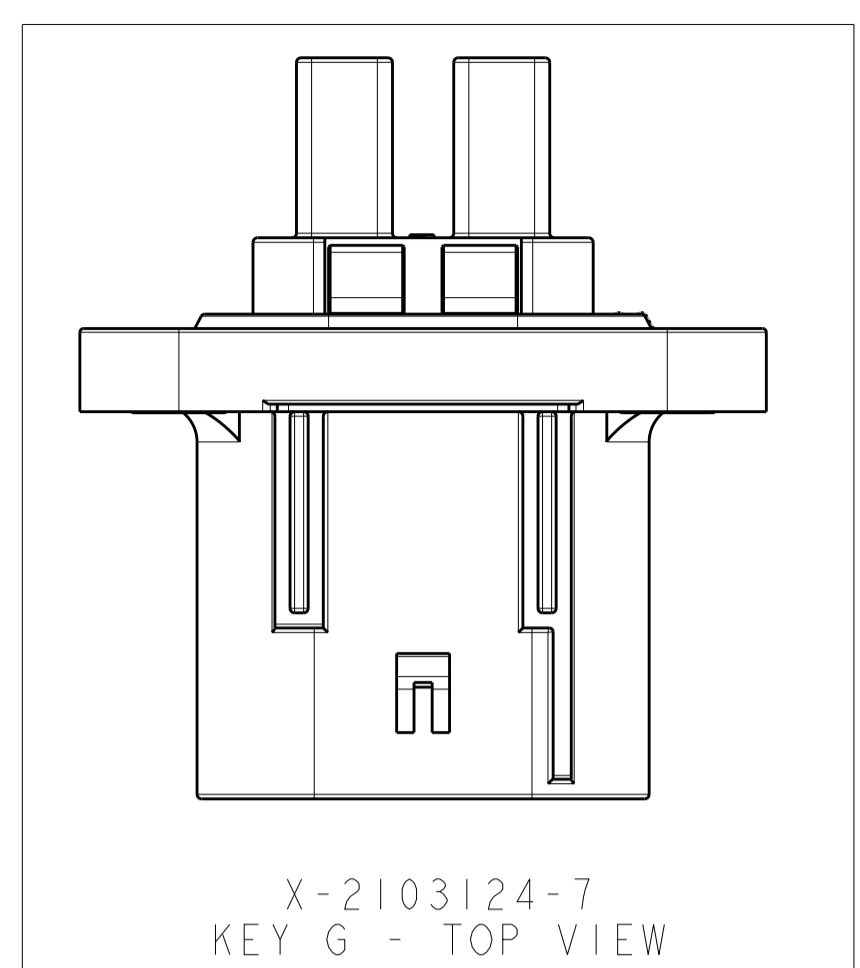


REVISIONS				
P.	LTN	DESCRIPTION	DATE	OWN APVD
B2	ECO-14-008515		06JUN2014	YS TD



- IDENTIFICATION MARKING ON THIS SURFACE CONTAINS ASSEMBLY P/N AND DATE CODE (YYDD). TEXT ORIENTATION, SIZE, AND LOCATION CAN VARY AS LONG AS TEXT IS ON SURFACE SHOWN AND READABLE.
- SHIELD SEAM CAN BE POSITIONED AS SHOWN OR ROTATED 180° FROM POSITION SHOWN.
- DELETED
- THESE DIMENSIONS DEFINE FASTENER SIZE LIMITS FOR PROPER COMPONENT FUNCTIONALITY. END USER MUST ENSURE FASTENER AND/OR WASHER DIAMETER IS 8.6 MM MIN FOR PROPER RETENTION. THESE ARE NOT PRODUCT FEATURES - NO INSPECTION REQUIRED FOR THESE ITEMS.
- SURFACE FINISH APPLIES TO AREAS SHOWN IN MOUNTING INTERFACE SPECIFICATION
- 6. USE WITH 2.8MM BLADE TERMINAL P/N:
2-2141598-2 FOR 1.0 - 2.5MM² WIRE
2-2141600-2 FOR >2.5 - 4.0MM² WIRE
- 7. USE WITH MQS RECEPTACLE P/N:
963715-6, 963715-5, 928999-6 OR 928999-5, DEPENDING ON WIRE SIZE AND MATING PLUG USED
- 8. NOTE DELETED
- NOTE DELETED

2103124-1 SHOWN IN ALL VIEWS UNLESS NOTED REFER TO SHEET 2 FOR ADDITIONAL PART NUMBER VIEWS

SHIELD FINISH	INDEX	PART NO
SILVER	G	1-2103124-7
SILVER	F	1-2103124-6
SILVER	E	1-2103124-5
SILVER	D	1-2103124-4
SILVER	B	1-2103124-2
SILVER	A	1-2103124-1
TIN	G	2103124-7
TIN	F	2103124-6
TIN	E	2103124-5
TIN	D	2103124-4
TIN	B	2103124-2
TIN	A	2103124-1

THIS DRAWING IS A CONTROLLED DOCUMENT.

OWN: T. DEWILTE 30SEP2010
CHK: T. DEWILTE 30SEP2010
APVD: T. DEWILTE 15APR2011

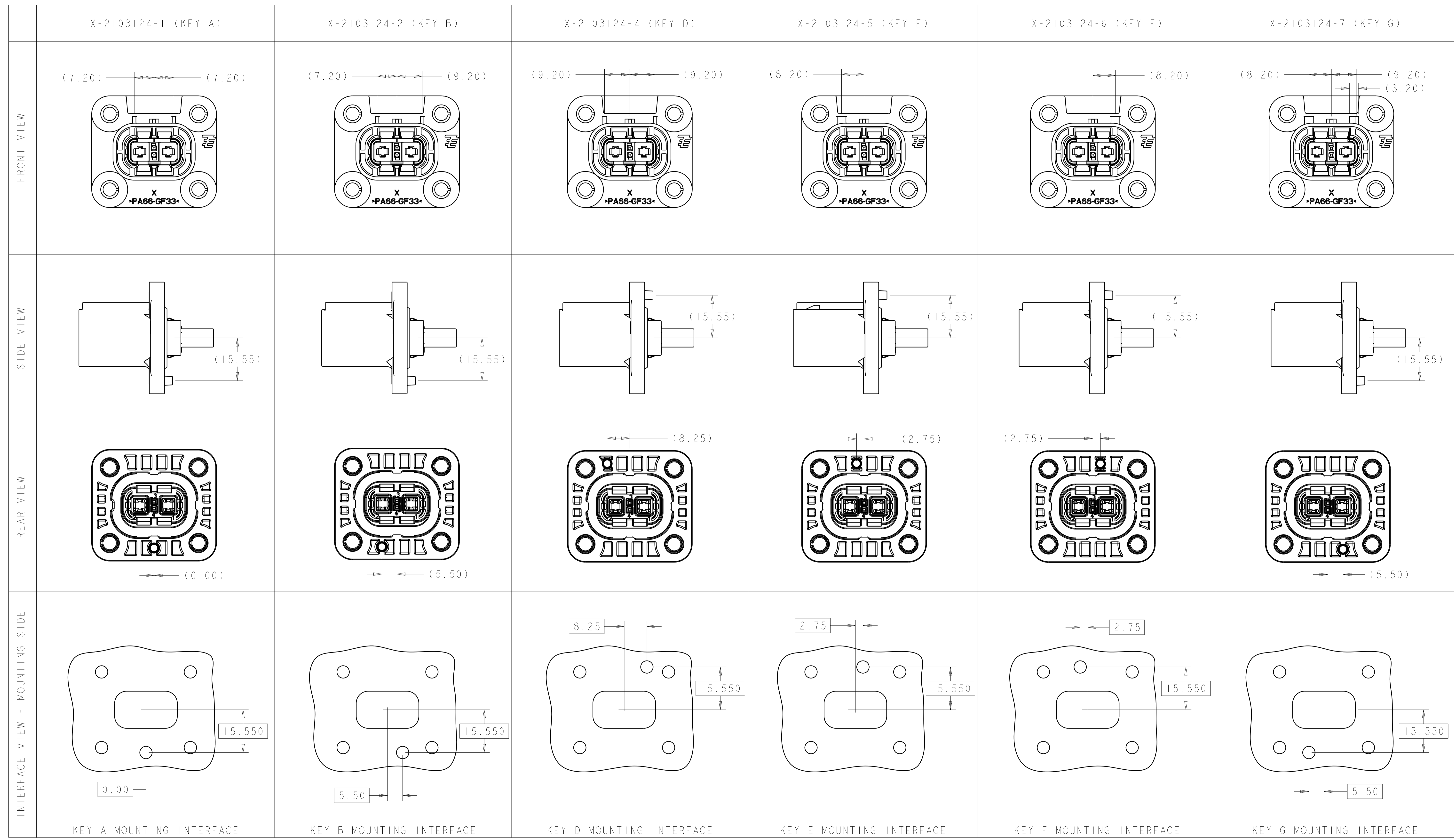
TE Connectivity

HVA280 2P HEADER ASSY
W/HVIL - PLASTIC 1 PIECE
CHART DRAWING

SIZE: 408-10441
WEIGHT: 22.7 g
CUSTOMER DRAWING

SCALE: 2:1 SHEET 1 OF 2 REV: B2

REVISIONS				
P.	LTN	DESCRIPTION	DATE	APVD
-	-	SEE SHEET 1	-	-



THIS DRAWING IS A CONTROLLED DOCUMENT.		OWN T. DEWILTE 30SEP2010	TE Connectivity
DIMENSIONS: mm		CHK T. DEWILTE 30SEP2010	
TOLERANCES UNLESS OTHERWISE SPECIFIED:		APVD T. DEWILTE 15APR2011	NAME HVA280 2P HEADER ASSY W/HVIL - PLASTIC 1 PIECE CHART DRAWING
0 PLC ±0.50 1 PLC ±0.50 2 PLC ±0.15 3 PLC ±0.05 4 PLC ±0.05 ANGLES ±°		PRODUCT SPEC	SIZE A100779C=2103124
MATERIAL		APPLICATION SPEC	RESTRICTED TO
FINISH		408-10441	SCALE 2:1 SHEET 2 OF 2 REV B2
		WEIGHT 22.7 g	
		CUSTOMER DRAWING	

Mouser Electronics

Authorized Distributor

Click to View Pricing, Inventory, Delivery & Lifecycle Information:

[TE Connectivity:](#)

[1-2103124-1](#)