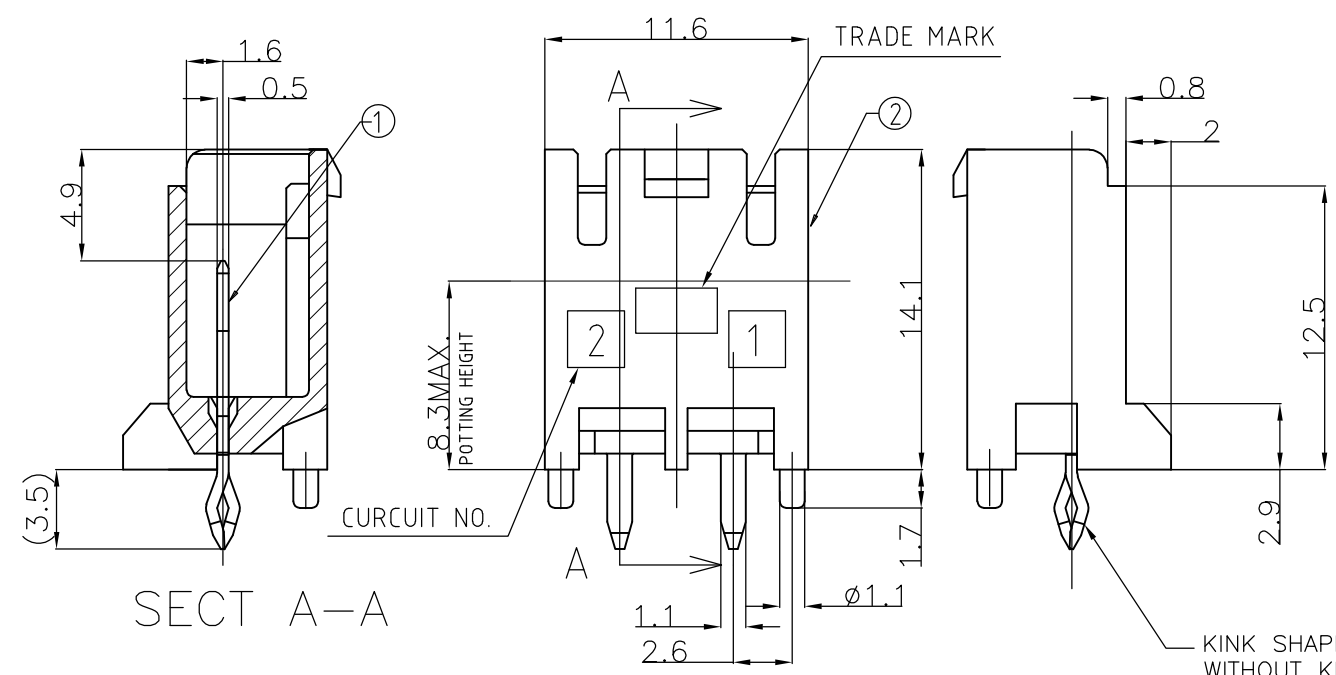
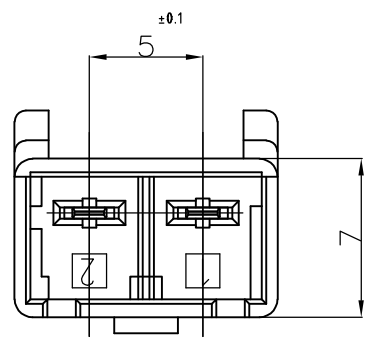


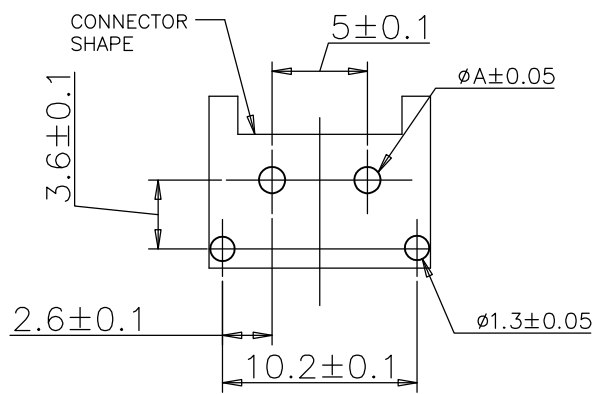
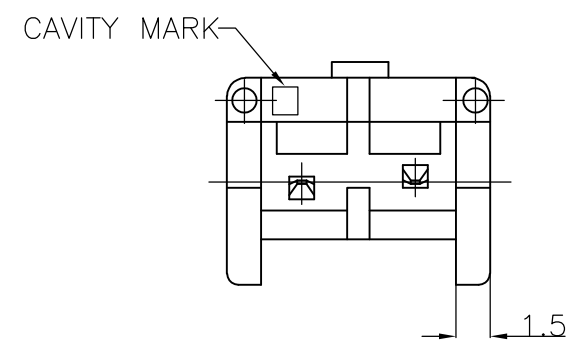
THIS DRAWING IS UNPUBLISHED. RELEASED FOR PUBLICATION
 © COPYRIGHT - By - ALL RIGHTS RESERVED.

REVISIONS				
P	LTR	DESCRIPTION	DATE	DWN APVD
	C2	REVISED PER ECR-16-007444	31MAY2016	NK SC

②	HEADER HOUSING	6/6 NYLON GRASS FILLED/ NYLON 6
①	TAB	COPPER ALLOY TIN PLATED
NO.	NAME	MATERIAL



SECT A-A

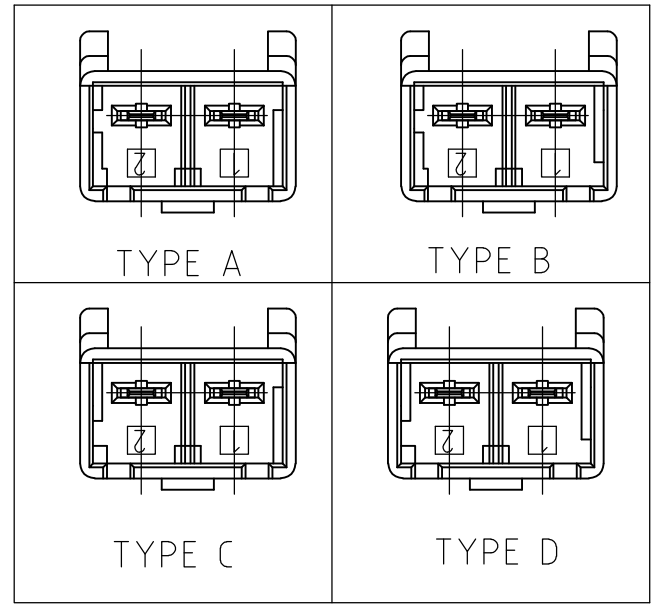


PUNCHING	1.25
DRILLING	1.4
	DIM A

PRINTED CIRCUIT BOARD
RECOMMENDED HOLES

- ① RECOMMENDED P.C.B LAY OUT.
- ② APPLICABLE P.C.B. THICKNESS:1.6.
- ③ MATING CONN. P/N PLUG HOUSING :SEE TABLE.
- ④ PARTS COMPLY WITH GLOW WIRE REQUIREMENT FOR PARTS OF NON-METALLIC MATERIAL SUPPORTING A CURRENT-CARRYING CONNECTION DETAILED IN IEC 60335-1, SECTION 30(GWT).
- ⑤ NYLON 6, GWT, V-2.
- ⑥ NYLON 66, GWT, V-0.

THE TYPE OF KEYING



⑤	⑥	⑥	⑥	⑥	⑥	⑥	⑥	⑥	⑥
1376388-5	3-1376388-4	2-1376388-3	1-1376388-2	1376388-1	3-1376388-4	2-1376388-3	1-1376388-2	1376388-1	3-1376388-4
WITH KINK	WITHOUT KINK	WITHOUT KINK	WITHOUT KINK	WITHOUT KINK	WITH KINK	WITH KINK	WITH KINK	WITH KINK	WITH KINK
TYPE A	TYPE D	TYPE C	TYPE B	TYPE A	TYPE D	TYPE C	TYPE B	TYPE A	TYPE D
NATURAL	YELLOW	BLUE	RED	NATURAL	YELLOW	BLUE	RED	NATURAL	YELLOW
2POS	2POS	2POS	2POS	2POS	2POS	2POS	2POS	2POS	2POS
1376382-5	8-1376382-4	7-1376382-3	6-1376382-2	5-1376382-1	3-1376382-4	2-1376382-3	1-1376382-2	1376382-1	3-1376382-4
MATING CONN. P/N	KINK EXISTENCE WITH/WITHOUT KINK		TYPE OF KEYING	COLOR	POS	PART NO.			

THIS DRAWING IS A CONTROLLED DOCUMENT.

DIMENSIONS: MM	TOLERANCES UNLESS OTHERWISE SPECIFIED:
	0 PLO ± 0.2
	1 P/C ±
	2 P/C ±
	3 P/C ±
	4 PLO ANGLES ± 1°
MATERIAL SEE TABLE	FINISH SEE TABLE

DWN	A.OISHI	28AUG'00
CHK	Y.KASHIWA	28AUG'00
APVD	Y.KASHIWA	28AUG'00
PRODUCT SPEC	108-5699	
APPLICATION SPEC	114-5292	
WEIGHT	CUSTOMER DRAWING	

WIRE RANGE - INSULATION DIA -

STE TE Connectivity

5.0 POWER KEY CONNECTOR
2P HEADER ASSEMBLY

NAME: 108-5699

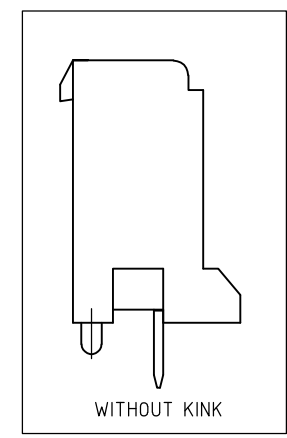
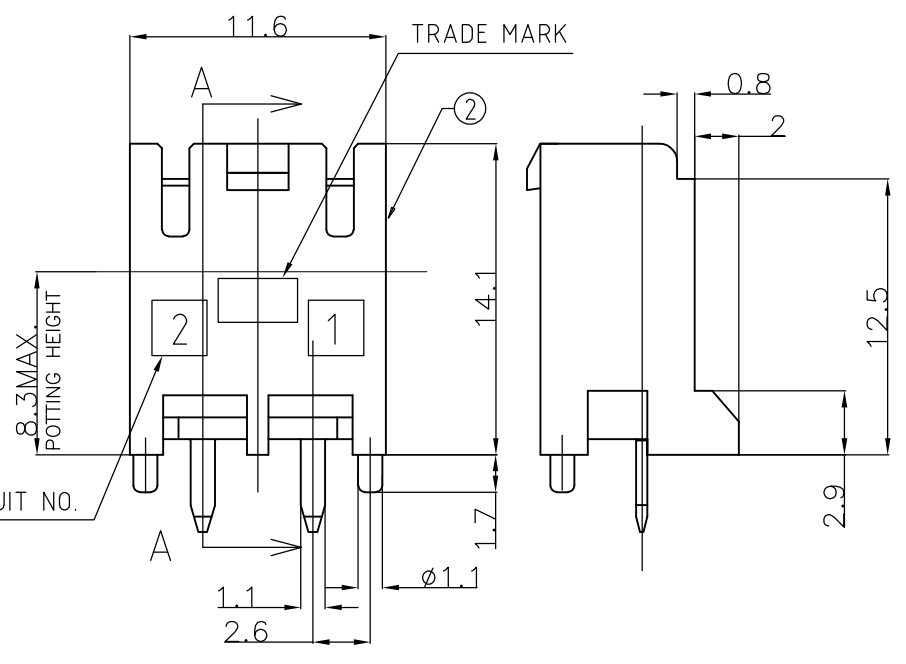
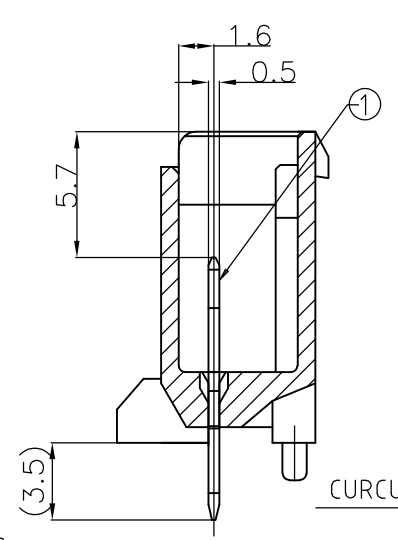
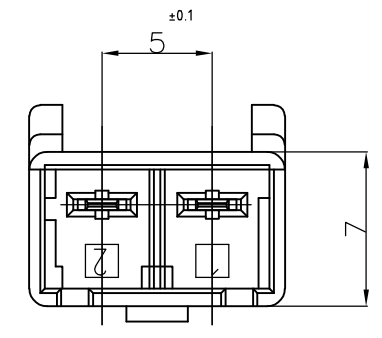
SIZE: A3 CAGE CODE: 00779 DRAWING NO: C-1376382 RESTRICTED TO: -

SCALE: 3:1 SHEET: 1 OF 2 REV: C2

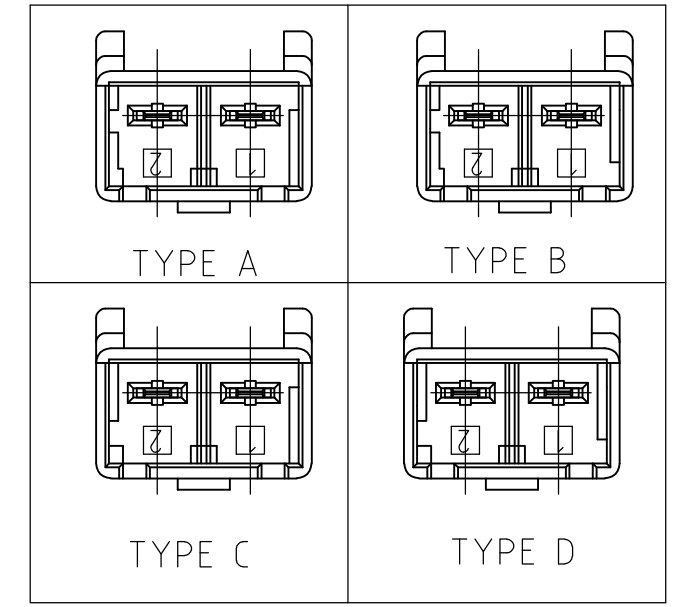
THIS DRAWING IS UNPUBLISHED. RELEASED FOR PUBLICATION
 © COPYRIGHT - By - ALL RIGHTS RESERVED.

REVISIONS					
P	LTR	DESCRIPTION	DATE	DWN	APVD
-	-	SEE SHEET 1	-	-	-

②	HEADER HOUSING	6/6 NYLON
①	TAB	COPPER ALLOY TIN PLATED
NO.	NAME	MATERIAL

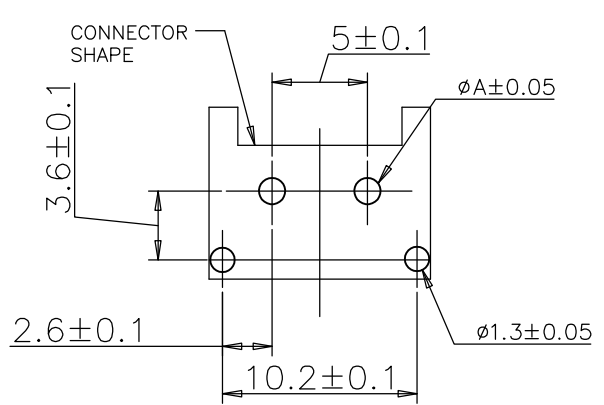


THE TYPE OF KEYING



- ① RECOMMENDED P.C.B LAY OUT
- ② APPLICABLE P.C.B. THICKNESS:1.6
- ③ MATING CONN. P/N PLUG HOUSING :SEE TABLE

SECT A-A



PUNCHING	1.25
DRILLING	1.4
	DIM A

3-1376388-5	WITHOUT KINK	TYPE D	YELLOW	2POS	3-1376382-5
2-1376388-4	WITHOUT KINK	TYPE C	BLUE	2POS	2-1376382-4
1-1376388-3	WITHOUT KINK	TYPE B	RED	2POS	1-1376382-3
1376388-2	WITHOUT KINK	TYPE A	NATURAL	2POS	1376382-2
MATING CONN. P/N	WITH/WITHOUT KINK	TYPE OF KEYING	COLOR	POS	PART NO.

THIS DRAWING IS A CONTROLLED DOCUMENT.		DWN A.OISHI 28AUG'00	TE Connectivity 5.0 POWER KEY CONNECTOR 2P HEADER ASSEMBLY											
DIMENSIONS: MM		CHK Y.KASHIWA 28AUG'00												
TOLERANCES UNLESS OTHERWISE SPECIFIED:		APVD Y.KASHIWA 28AUG'00												
<table border="1"> <tr><td>Ø PLC</td><td>± 0.2</td></tr> <tr><td>1 PLC</td><td>±</td></tr> <tr><td>2 PLC</td><td>±</td></tr> <tr><td>3 PLC</td><td>±</td></tr> <tr><td>4 PLC</td><td>±</td></tr> <tr><td>ANGLES</td><td>± 1°</td></tr> </table>		Ø PLC				± 0.2	1 PLC	±	2 PLC	±	3 PLC	±	4 PLC	±
Ø PLC	± 0.2													
1 PLC	±													
2 PLC	±													
3 PLC	±													
4 PLC	±													
ANGLES	± 1°													
MATERIAL SEE TABLE		FINISH SEE TABLE	PRODUCT SPEC 108-78863	APPLICATION SPEC 114-5292	WEIGHT -									
PRINTED CIRCUIT BOARD RECOMMENDED HOLES		<table border="1"> <tr> <td>SIZE</td> <td>CAGE CODE</td> <td>DRAWING NO</td> <td>RESTRICTED TO</td> </tr> <tr> <td>A3</td> <td>00779</td> <td>C-1376382</td> <td>-</td> </tr> </table>			SIZE	CAGE CODE	DRAWING NO	RESTRICTED TO	A3	00779	C-1376382	-		
SIZE	CAGE CODE	DRAWING NO	RESTRICTED TO											
A3	00779	C-1376382	-											
CUSTOMER DRAWING		SCALE 3:1 SHEET 2 OF 2 REV C2												

Mouser Electronics

Authorized Distributor

Click to View Pricing, Inventory, Delivery & Lifecycle Information:

[TE Connectivity:](#)

[1376382-1](#)