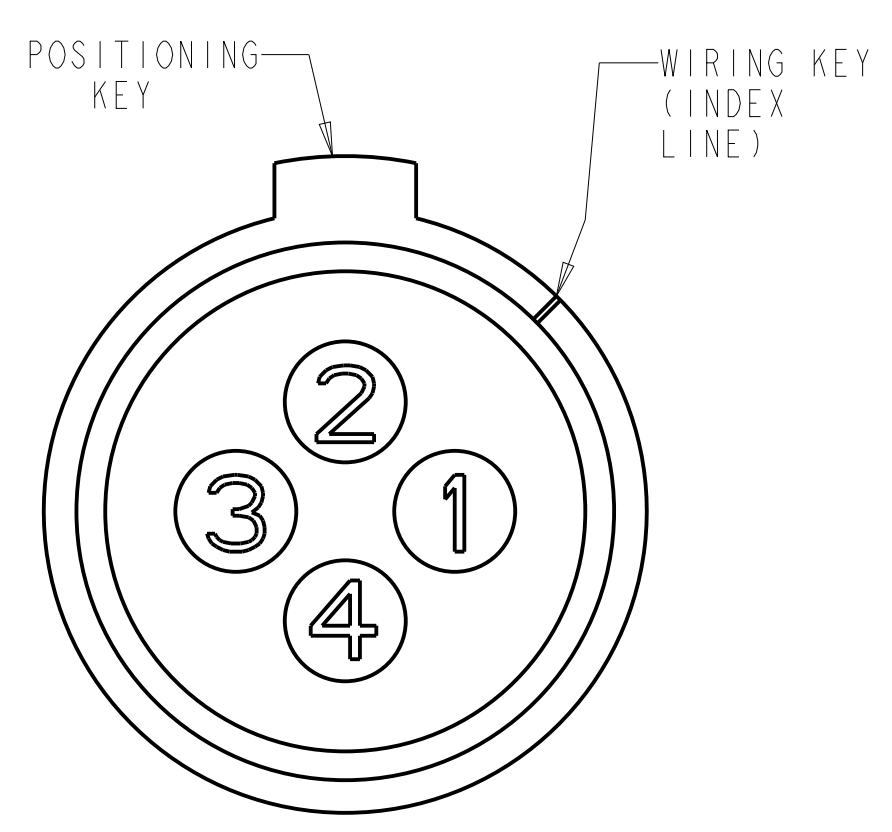
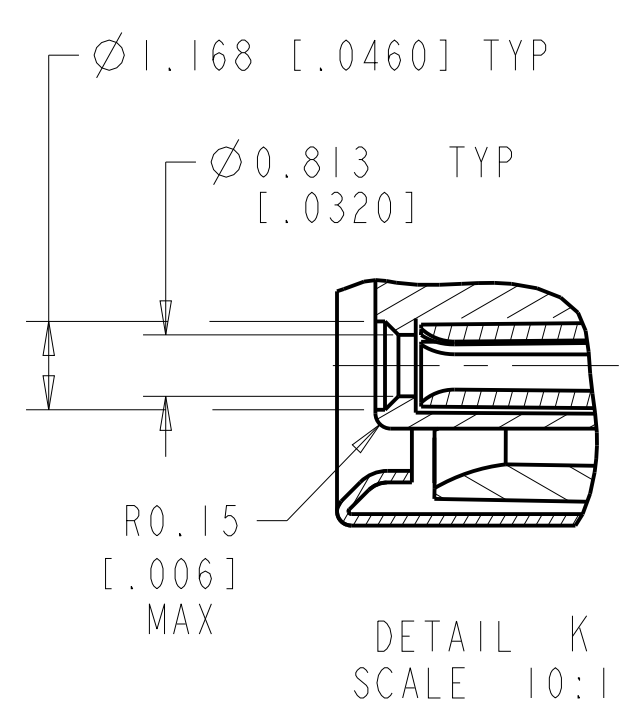
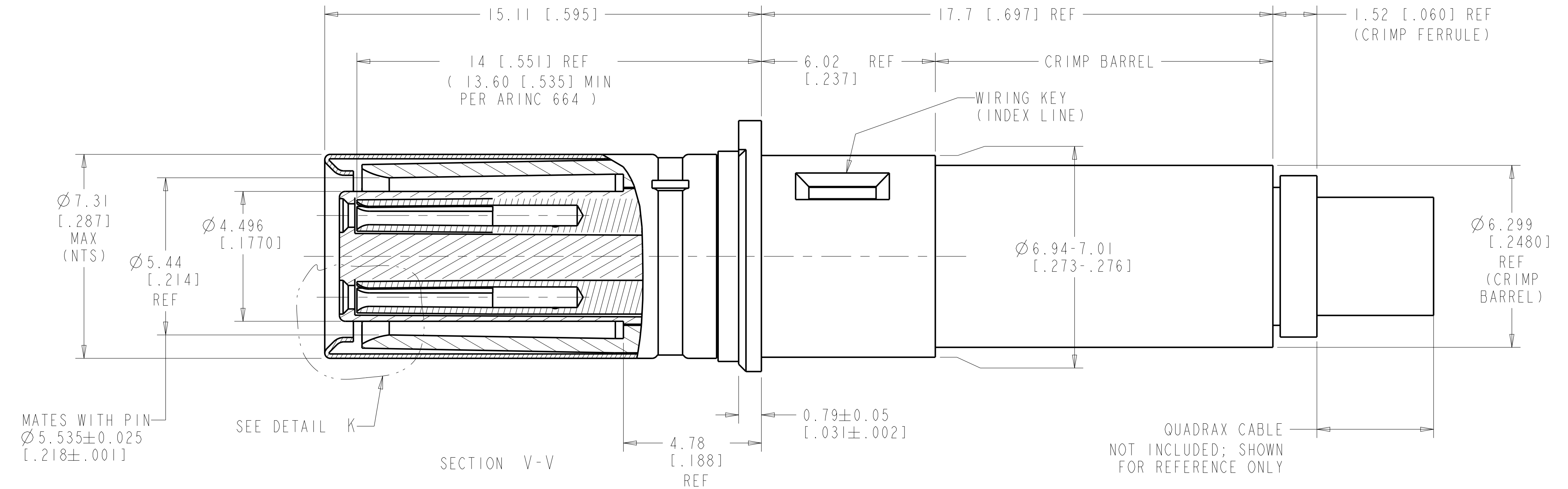
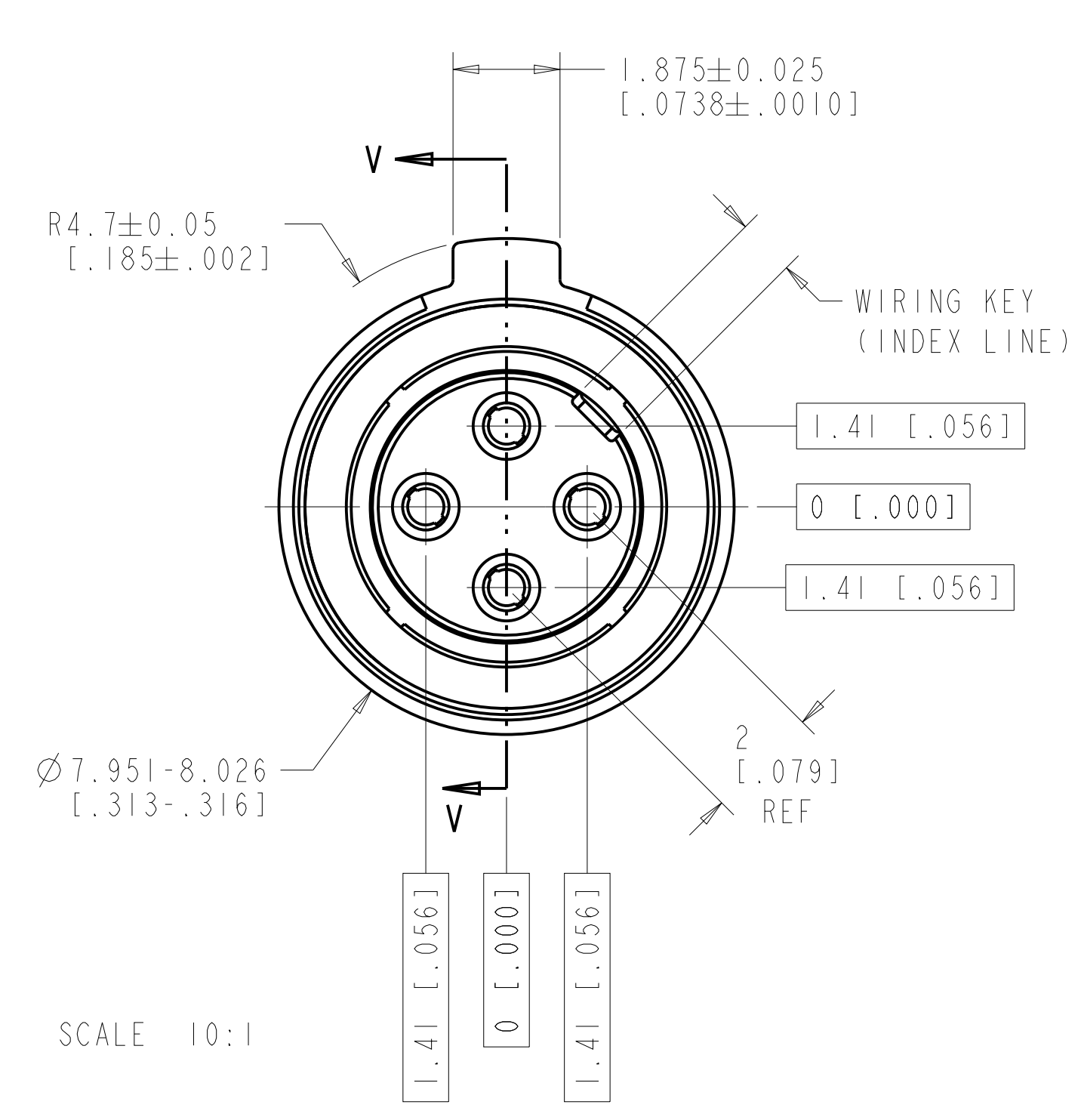
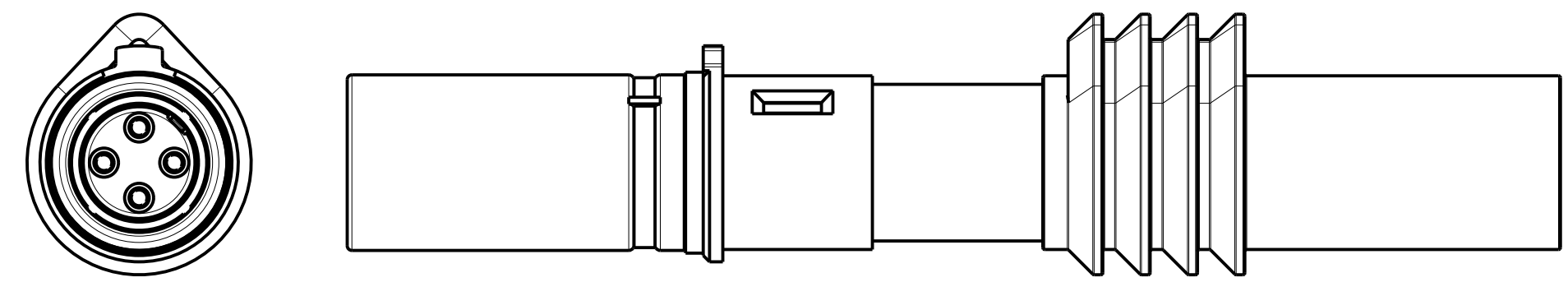
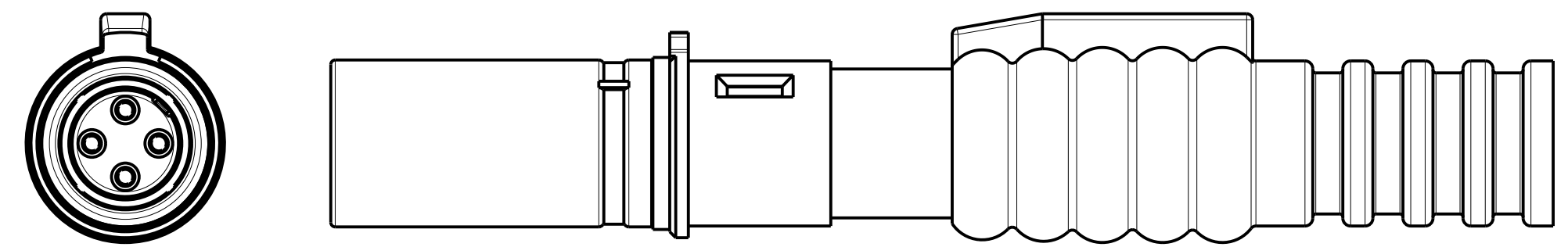


| REVISIONS | | | | |
|-----------|-----|-----------------------|---------|-------|
| P. | LTM | DESCRIPTION | DATE | APVD |
| K | | REV PER ECO 14-011279 | 10-7-14 | CT DM |



CONTACT CAVITY NUMBERING
STANDARD CAVITY NUMBER ASSIGNMENT



- COMPONENTS ARE PACKAGED IN KIT FORM. CABLE MUST BE PURCHASED SEPARATELY.
- ASSEMBLY PER APPLICATION SPECIFICATION 114-13123.
- USE INSERTION-EXTRACTION TOOL 1738894-1.
- TENSOLITE NF24Q100 OR EQUIVALENT
- DRAKA F4704-4 OR EQUIVALENT
- REDUCED SIZE OF TEC INSTRUCTION SHEET 408-32112 INCLUDED IN EACH KIT.

| RECOMMENDED CABLE | CUSTOMER PART NUMBER | SEAL COLOR | DESCRIPTION | PART NO. |
|-------------------|----------------------|------------|-------------------------------------|-----------|
| 4 | BACC47GB2 | --- | SAME AS -4 EXCEPT WITHOUT WIRE SEAL | 1445693-9 |
| 5 | --- | - | AS SHOWN WITHOUT WIRE SEAL | 1445693-6 |
| 5 | --- | BLUE | AS SHOWN WITH WIRE SEAL | 1445693-5 |
| 4 | BACC47GB1 | BLUE | SAME AS -1 EXCEPT WITH WIRE SEAL | 1445693-4 |
| 4 | --- | BLUE | SAME AS -1 EXCEPT WITH WIRE SEAL | 1445693-3 |
| 4 | --- | RED | SAME AS -1 EXCEPT WITH WIRE SEAL | 1445693-2 |
| 4 6 | --- | -- | AS SHOWN; WITHOUT WIRE SEAL | 1445693-1 |

THIS DRAWING IS A CONTROLLED DOCUMENT.

DIMENSIONS: mm [INCH]

TOLERANCES UNLESS OTHERWISE SPECIFIED:

| | |
|--------|---------------|
| 0 PLC | ± |
| 1 PLC | ±0.2 [.008] |
| 2 PLC | ±0.13 [.0051] |
| 3 PLC | ±0.051 [.002] |
| 4 PLC | ± |
| ANGLES | ± |

MATERIAL: - FINISH: -

WEIGHT: -

CUSTOMER DRAWING

APVD: W.H. BERNHART

DATE: 23 JUNE 2004

NAME: ASSEMBLY, SOCKET, QUADRAX, 2mm SQ, AIRCRAFT DATA NETWORK, RR/RR WITH SOCKET CONTACTS

SIZE: A1

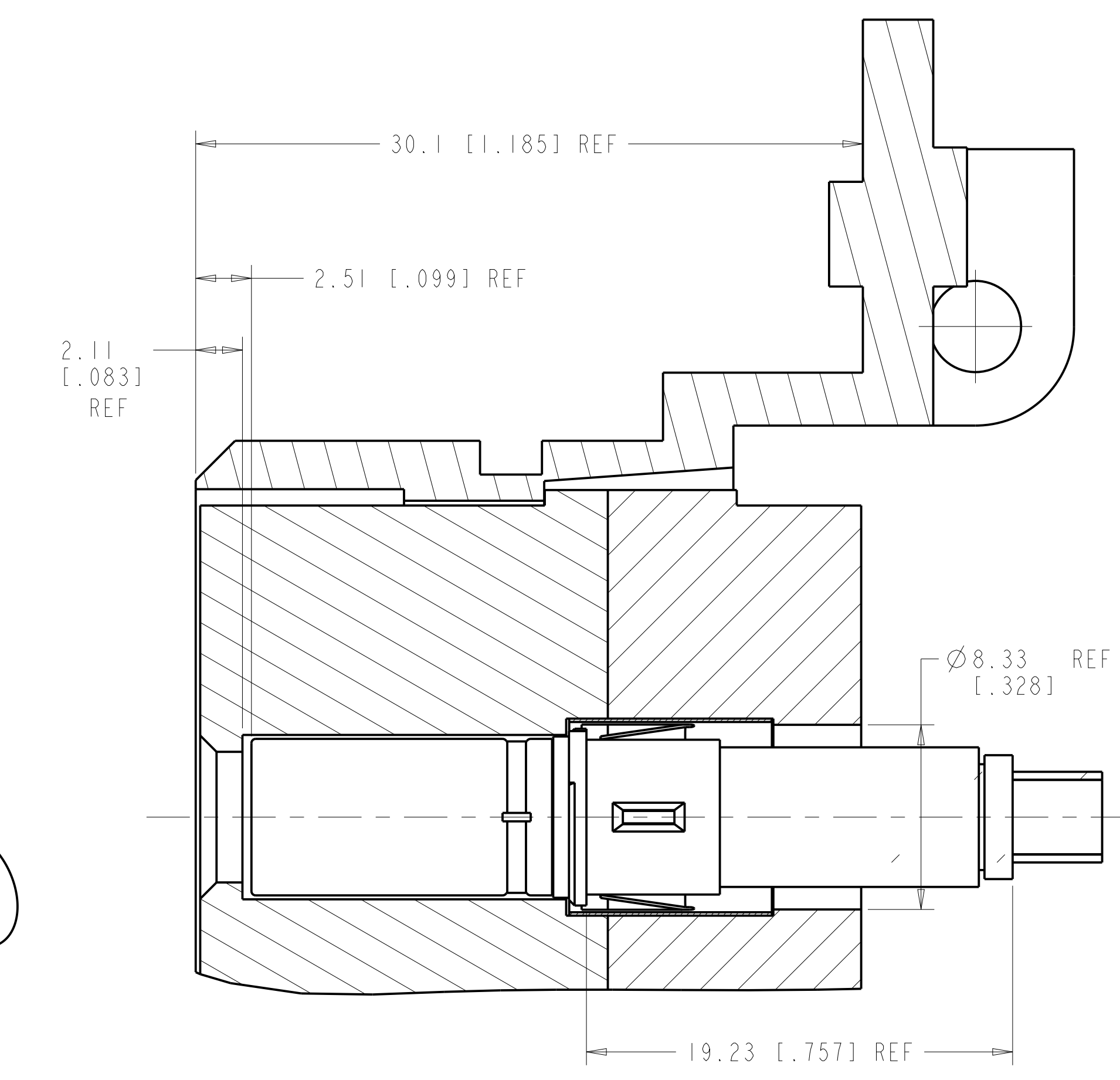
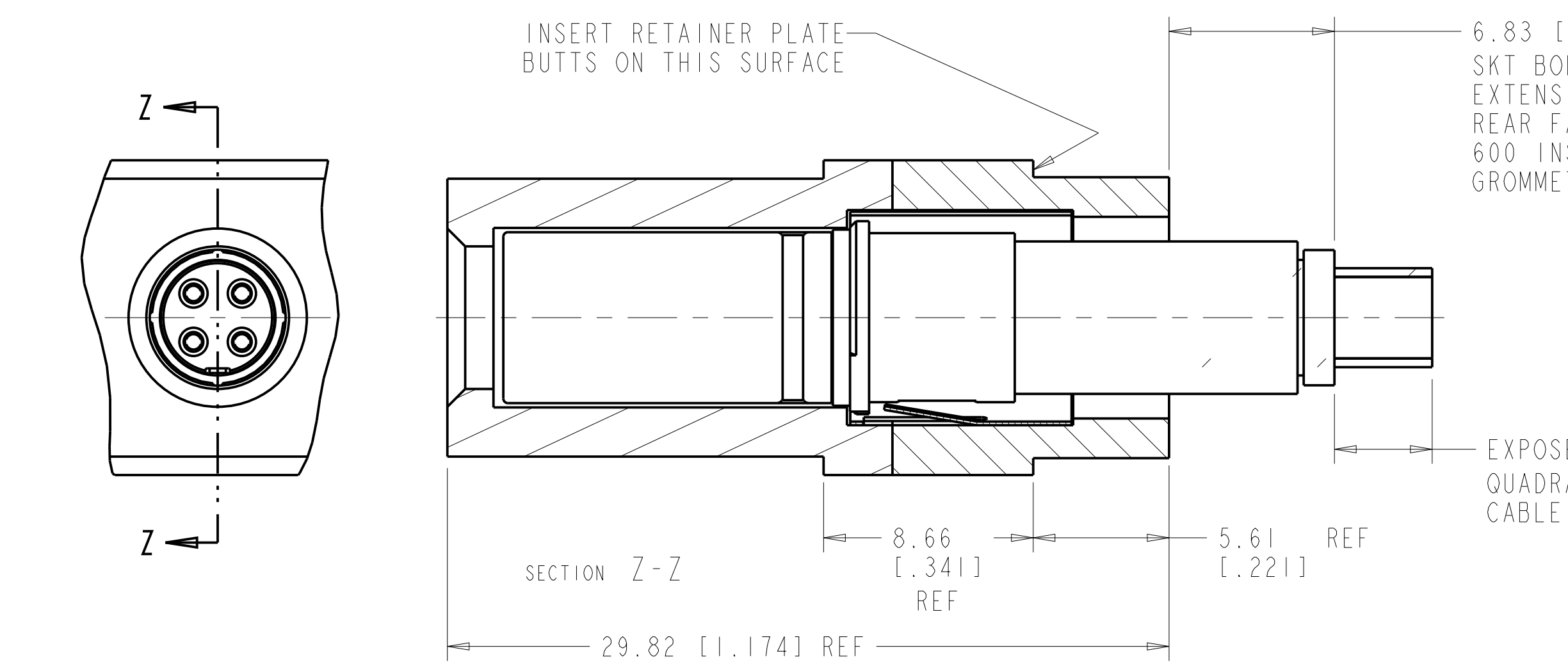
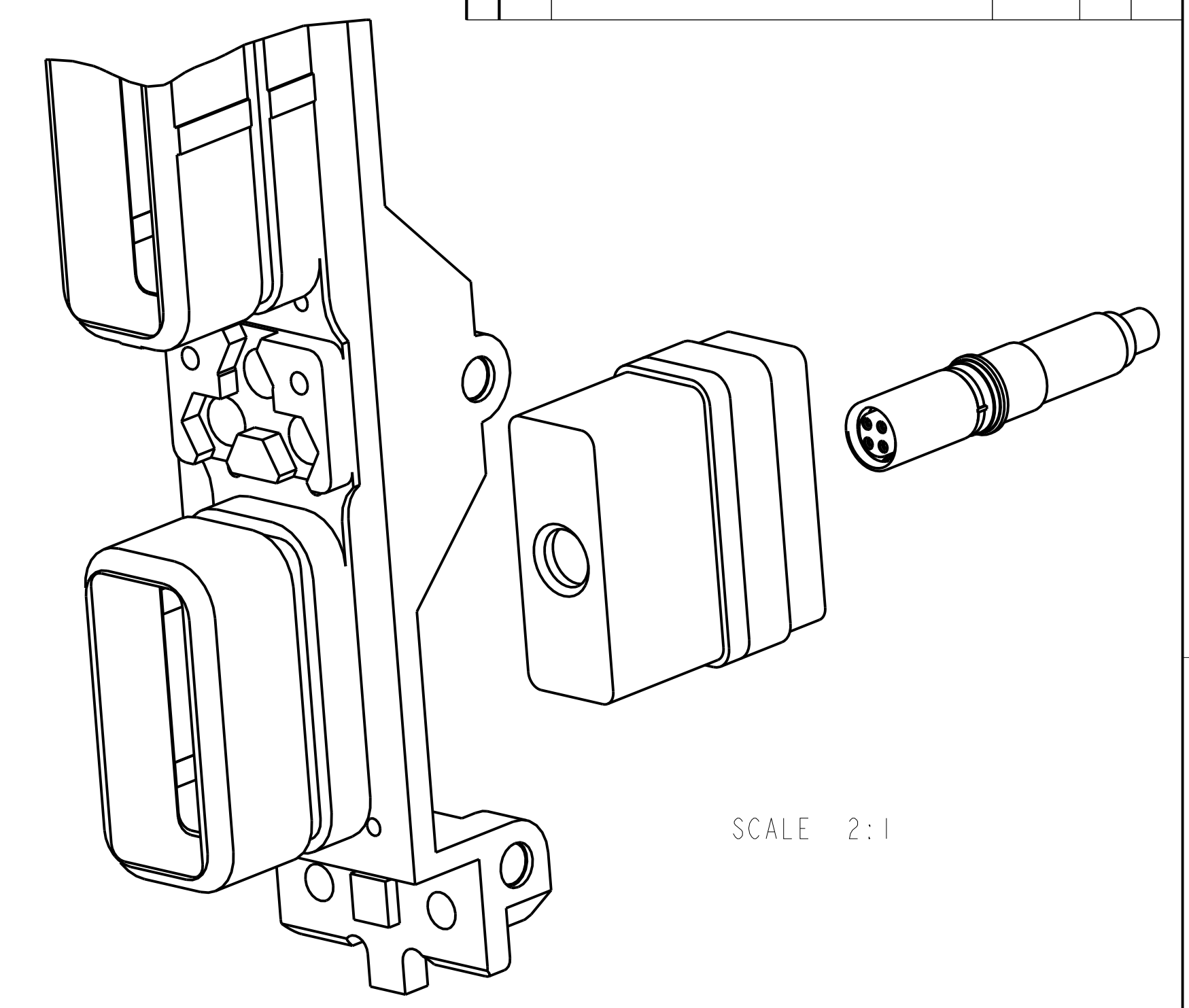
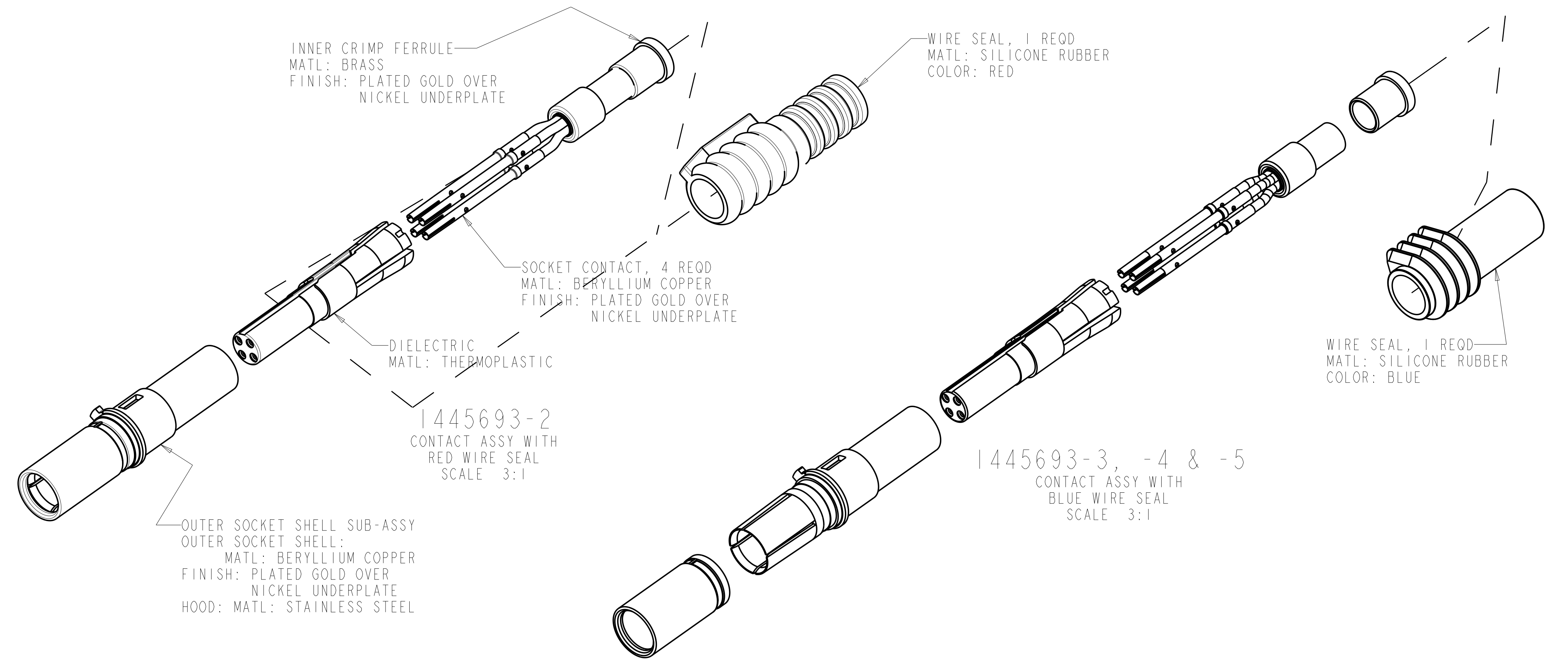
SCALE: 10:1

SHEET: 1 OF 2

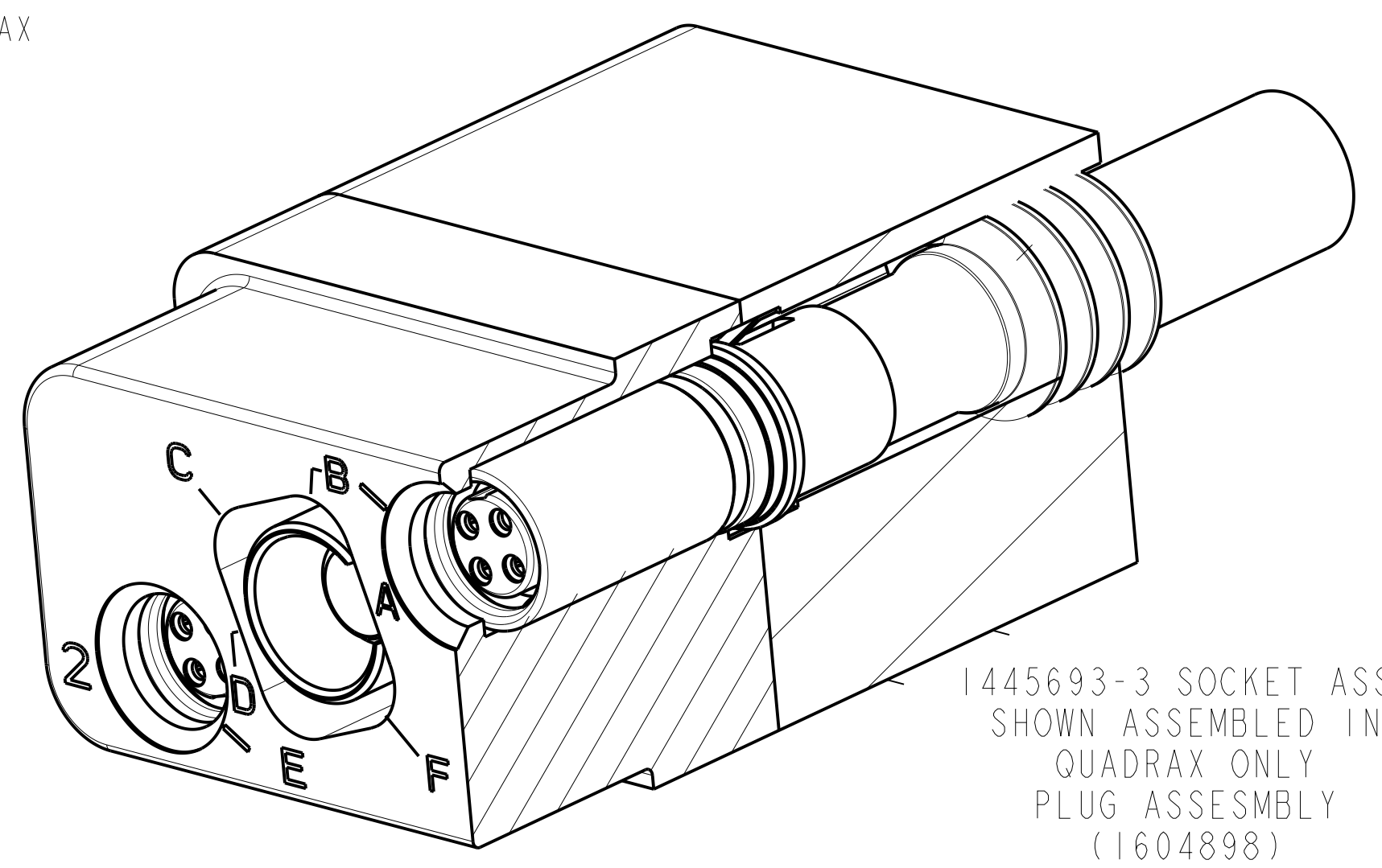
REV: K

TE Connectivity

| REVISIONS | | | | |
|-----------|-----|-------------|------|----------|
| P. | LTN | DESCRIPTION | DATE | OWN APVD |
| -- | | SEE SHEET 1 | - | - |
| | | | | |
| | | | | |



QUADRAX SOCKET ASSY SHOWN INSTALLED IN STANDARD ARINC 600, SIZE 1 INSERT WITH REAR RELEASE, REAR REMOVABLE SIZE 8 QUADRAX CAVITY



| | | | |
|--|----------------|---------------------------------------|--|
| THIS DRAWING IS A CONTROLLED DOCUMENT. | | OWN Brent D. Lohm 23 JUNE 2004 | TE Connectivity |
| DIMENSIONS: mm [INCH] | | CHK W. H. BERNHART 23 JUNE 2004 | |
| TOLERANCES UNLESS OTHERWISE SPECIFIED: | | APVD W. H. BERNHART | NAME ASSEMBLY, SOCKET, QUADRAX, 2mm SQ, AIRCRAFT DATA NETWORK, RR/RR WITH SOCKET CONTACTS |
| 0 PLC | ± | PRODUCT SPEC | SIZE A1 |
| 1 PLC | ±0.2 [1.008] | APPLICATION SPEC | CAGE CODE C=1445693 |
| 2 PLC | ±0.13 [1.005] | WEIGHT | RESTRICTED TO |
| 3 PLC | ±0.081 [1.002] | CUSTOMER DRAWING | SCALE 3:1 SHEET 2 OF 2 REV K |
| 4 PLC | ± | | |
| ANGLES | ± | | |
| MATERIAL | | | |
| FINISH | | | |

Mouser Electronics

Authorized Distributor

Click to View Pricing, Inventory, Delivery & Lifecycle Information:

[TE Connectivity:](#)

[1445693-1](#)