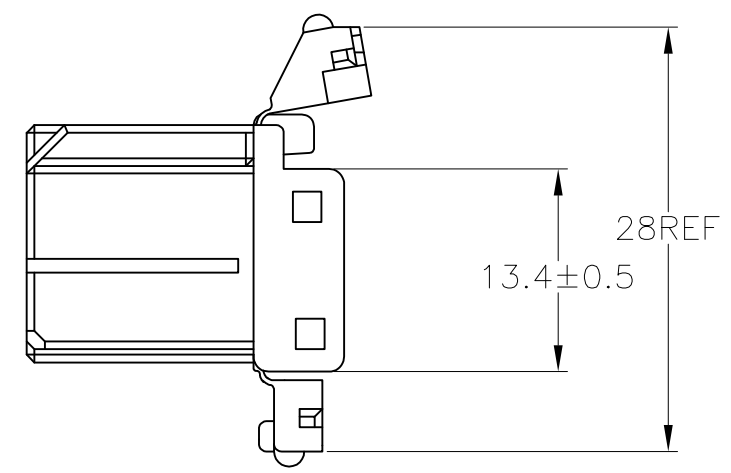
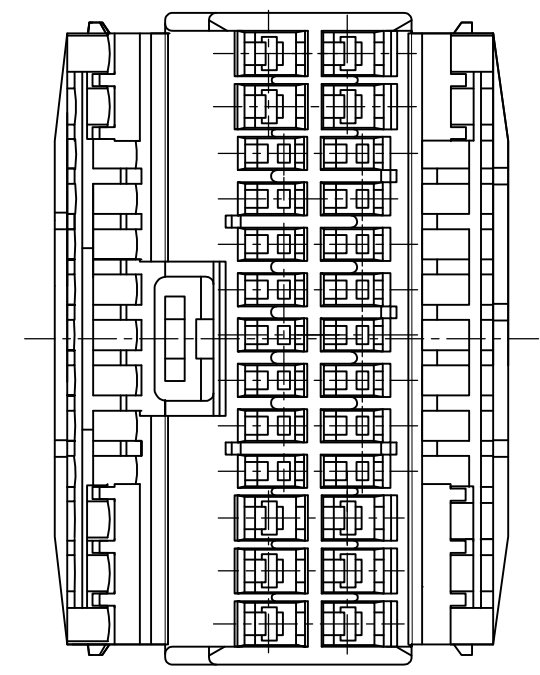
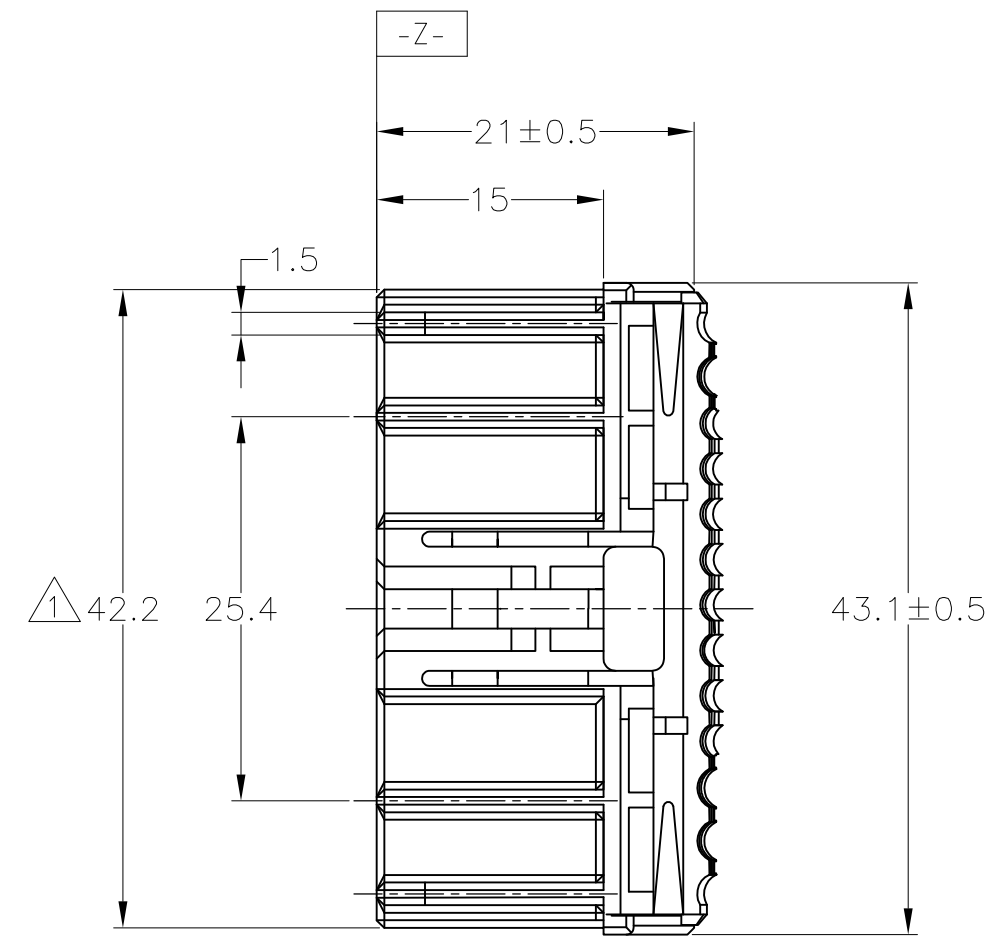
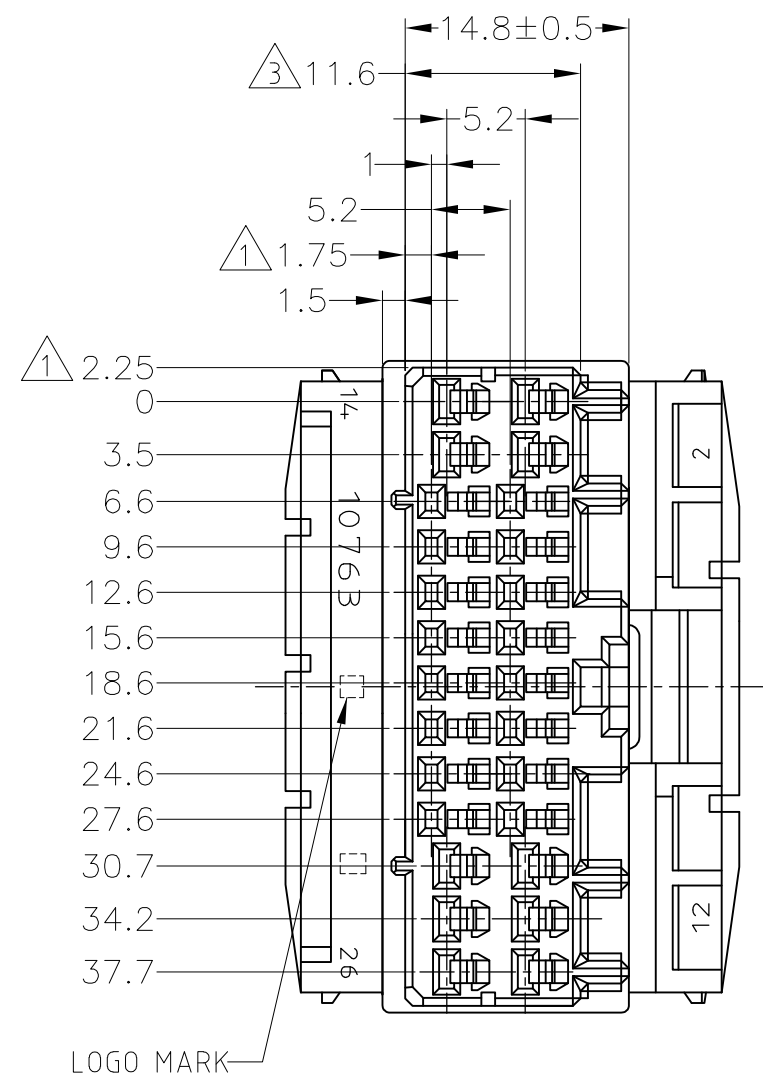


THIS DRAWING IS UNPUBLISHED. RELEASED FOR PUBLICATION
 © COPYRIGHT - By - ALL RIGHTS RESERVED.

LOC	DIST	REVISIONS					
J	-	P	LTR	DESCRIPTION	DATE	DWN	APVD
		E3		REVISED PER ECO-11-005140	28MAR11	RK	HMR



1. MUST BE KEPT BETWEEN -Z- AND 2mm.
 2. THE MATING CAP HOUSING PART NUMBER ; 174518
 3. APPLIED CONTACT PART NUMBER ; 173631, 173716, 173630, 175094
 4. APPLICABLE PRODUCT SPECIFICATION NUMBER ; 108-5280
1. -Z- 面より 2mm の範囲で測定
 2. 嵌合相手ハウジング型番 ; 174518
 3. 内装するリセプタクルコンタクト型番 ; 173631, 173716, 173630, 175094
 4. 適用製品規格番号 ; 108-5280

	YELLOW	174516-7
OBSOLETE	LIGHT GRAY	6-174516-6
	GRAY	174516-6
	BLACK	174516-2
	WHITE	174516-1
	COLOR	PART NUMBER

GENERAL TOLERANCE	
0 < * < 10	± 0.2
10 < * < 30	± 0.25
30 < * < 100	± 0.3
ANGLES	± 3°

THIS DRAWING IS A CONTROLLED DOCUMENT.		DWN T.SHINOHARA 09JUL10		STE TE Connectivity	
DIMENSIONS: mm		CHK K.BETSUI 09JUL10			
TOLERANCES UNLESS OTHERWISE SPECIFIED:		APVD K.BETSUI 09JUL10		NAME	
0 PLC ± -		PRODUCT SPEC		HYBRID I/O CONNECTOR	
1 PLC ± -		SEE NOTE 4		26 POSITION PLUG HOUSING	
2 PLC ± -		APPLICATION SPEC		SIZE	CAGE CODE
3 PLC ± -		WEIGHT -		A3	00779
4 PLC ± -		CUSTOMER DRAWING		DRAWING NO C-174516	
ANGLES ± -		SCALE 2:1		SHEET 1 OF 1	
FINISH -		RESTRICTED TO -		REV E3	

Mouser Electronics

Authorized Distributor

Click to View Pricing, Inventory, Delivery & Lifecycle Information:

[TE Connectivity:](#)

[174516-7](#)