

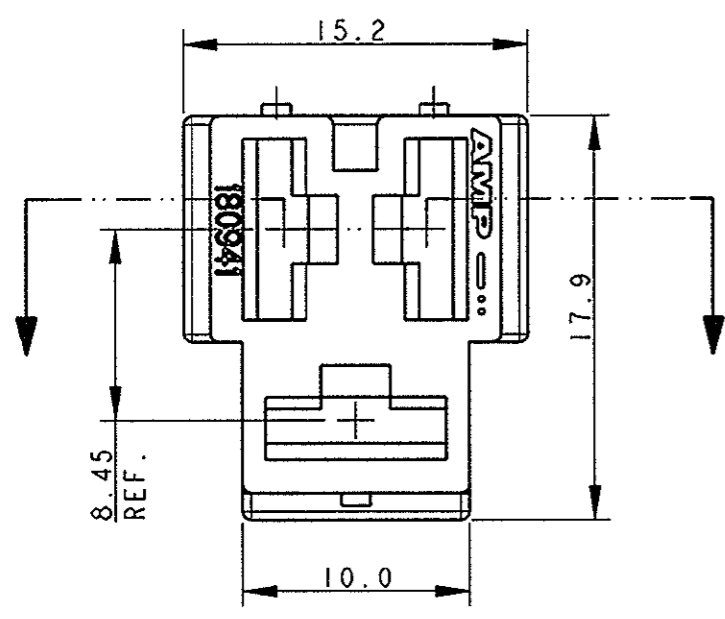
THIS DRAWING IS UNPUBLISHED.

RELEASED FOR PUBLICATION

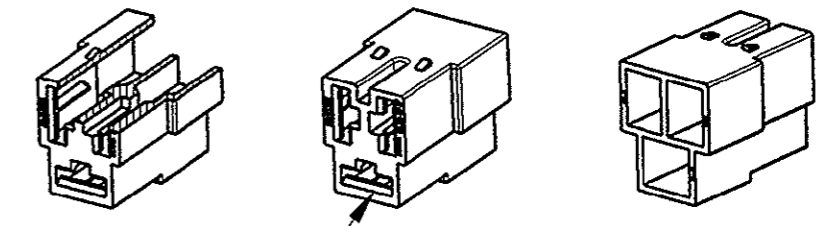
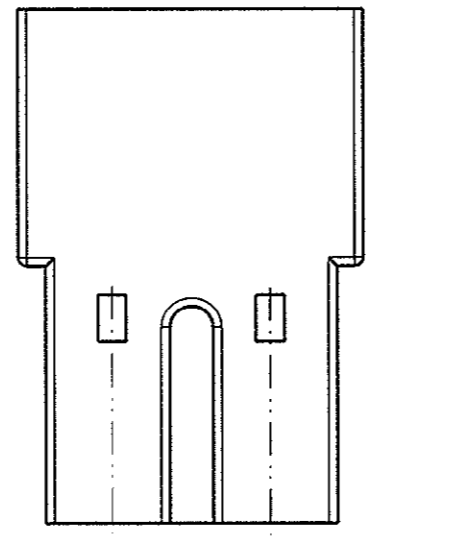
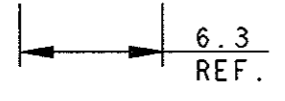
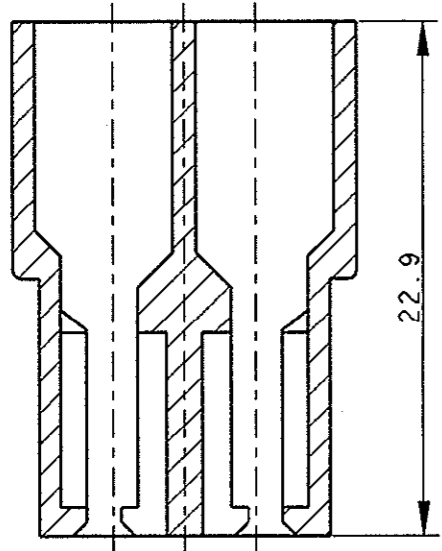
© COPYRIGHT

ALL RIGHTS RESERVED.

LOC	DIST	REVISIONS				
P	LTR	DESCRIPTION	DATE	DWN	APVD	
1	-	P7	REVISED PER ECO-11-005140	30MAR11	RK	HMR



SECTION A - A

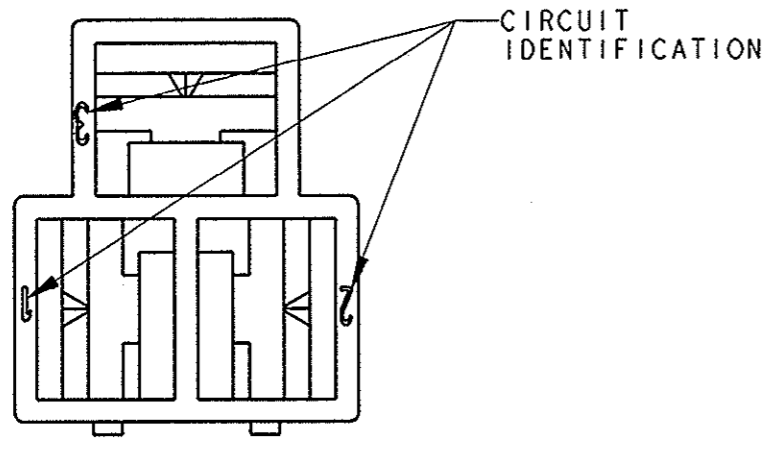


SCALE 1:1

TIPICA CAVITA' PER TERMINALE TE AMP
FASTIN-FASTON SR. 6.35 mm
(TYPICAL CAVITY FOR TE AMP CONTACT
FASTIN-FASTON .250" SRS.)

- 1 PA 6.6 UNFILLED, UL 94-V2.
- 2 PA 6 UNFILLED, GLOW WIRE TEST AT 750°C
- 3 NON ANCORA RILASCIATO IN PRODUZIONE (NOT YET RELEASED FOR PRODUCTION)
- 4 OBSOLETE PARTS: OBSOLETE CIS STREAMLINING PER D.RENAUD/D.SINISI

NOTE	COLORE (COLOUR)	MATERIALE (MATERIAL)	PART NUMBER	REV
4 OBSOLETE	NATURALE (NATURAL)	2	2-180941-0	P
	NATURALE (NATURAL)		1-180941-0	O
	ARANCIONE (ORANGE)		0-180941-9	O
	VIOLA (VIOLET)		0-180941-8	O
4 OBSOLETE	MARRONE (BROWN)		0-180941-6	P
	NERO (BLACK)		0-180941-5	P
	GIALLO (YELLOW)		0-180941-4	O
	BLU (BLUE)	1	0-180941-3	O
	VERDE (GREEN)		0-180941-2	O
4 OBSOLETE	ROSSO (RED)		0-180941-1	P
	NATURALE (NATURAL)		0-180941-0	P



DIMENSIONS: mm		TOLERANCES UNLESS OTHERWISE SPECIFIED: 0 PLC ±- 1 PLC ±0.3 2 PLC ±- 3 PLC ±- 4 PLC ±- ANGLES ±2° FINISH -		DWN H. YAALI 24JUL2002 CHK C. TARTARI APVD - PRODUCT SPEC 108-20020 APPLICATION SPEC - WEIGHT 2.3 g			
MATERIAL SEE TABLE		CUSTOMER DRAWING		NAME FASTIN-FASTON* Connector, .250" sr. REC HOUSING 3 WAY		SIZE A3 CAGE CODE 00779 DRAWING NO C=180941 RESTRICTED TO -	
				SCALE 3:1		SHEET OF REV P7	

Mouser Electronics

Authorized Distributor

Click to View Pricing, Inventory, Delivery & Lifecycle Information:

[TE Connectivity:](#)

[180941](#)