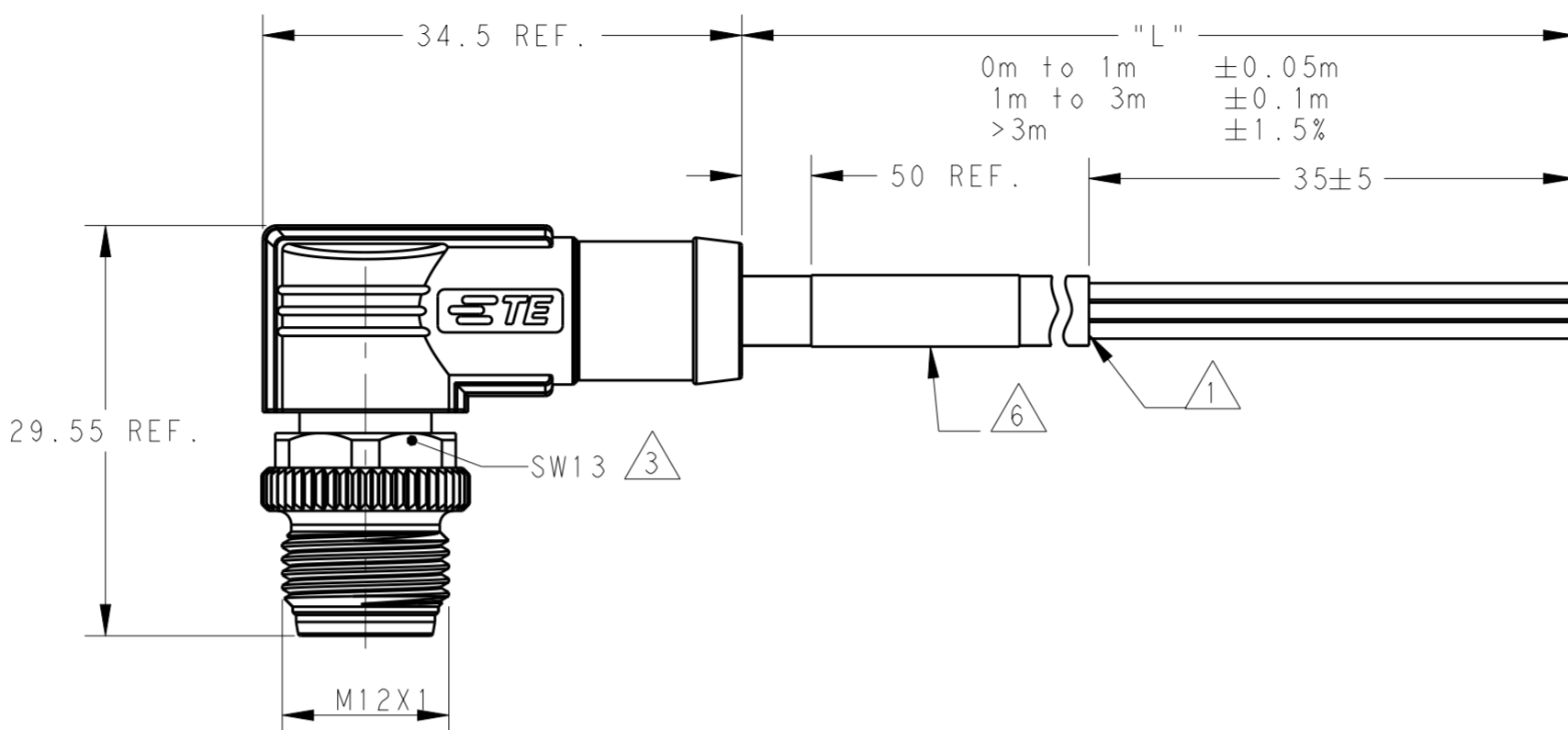
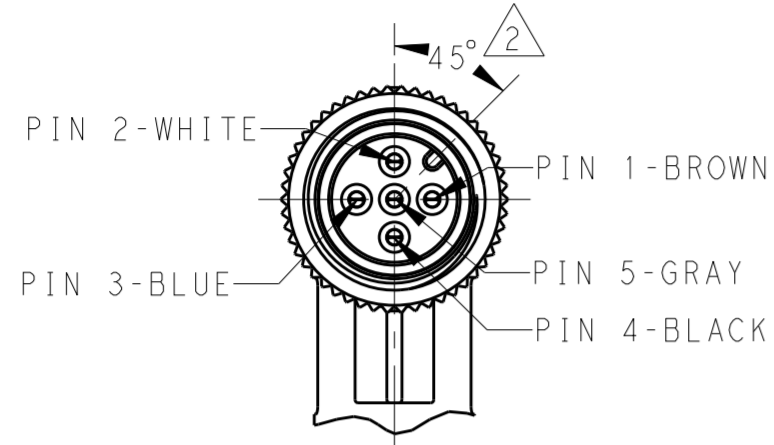


THIS DRAWING IS UNPUBLISHED. RELEASED FOR PUBLICATION 20  
 © COPYRIGHT 20 BY - ALL RIGHTS RESERVED.

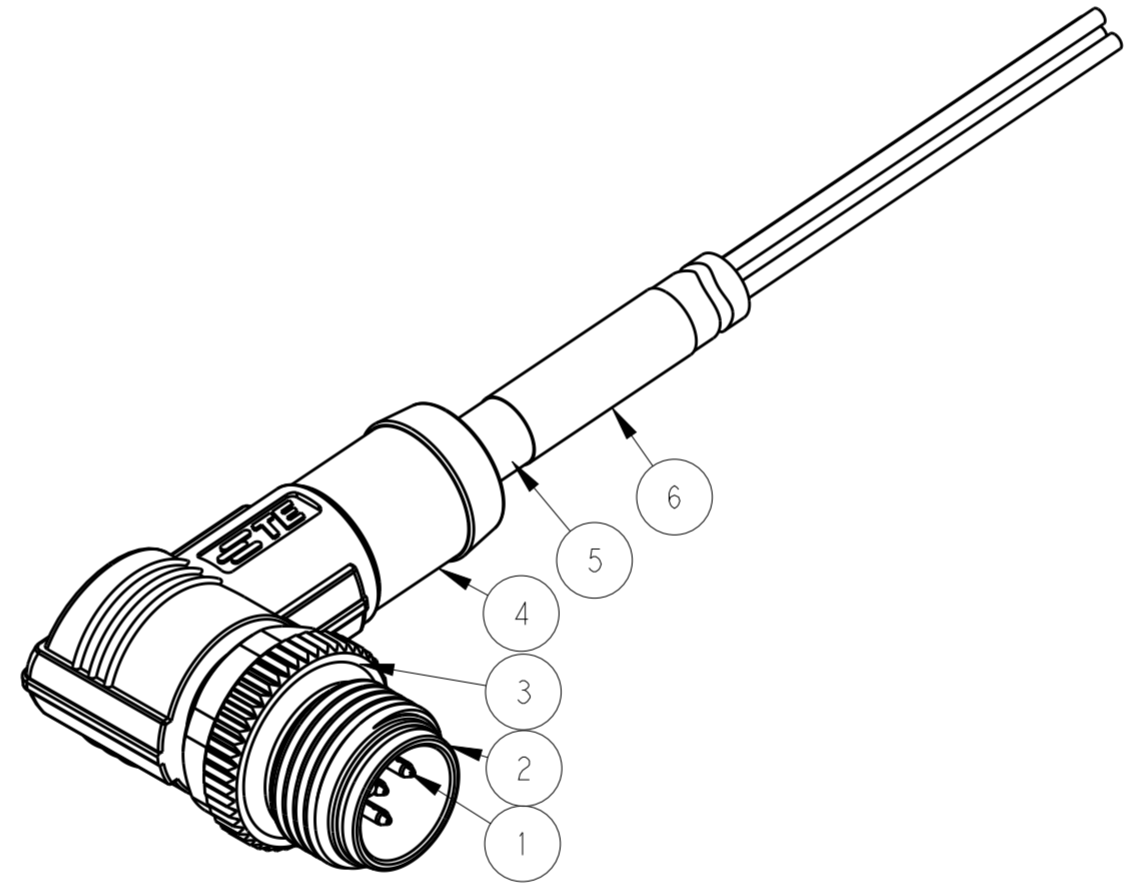
ITEM	DESCRIPTION	MATERIAL	OTHERS
1	MALE CONTACT	COPPER ALLOY	FLASH GOLD
2	HOUSING	NYLON	BLACK
3	COUPLING NUT	COPPER ALLOY	-
4	OVER-MOLDING	POLYURETHANE	BLUE
5	CABLE	-	-
6	LABEL	-	-



REVISIONS				
P	LTR	DESCRIPTION	DATE	APVD
A		INITIAL RELEASE	21AUG2015	HW XX
A1		ECR-16-010106	14JUL2016	HW XX
B		ECR-18-019963	28DEC2018	G.W C.W

NOTE:  
 △. STRIP ALL THE INSULATION  
 △. CODE POSITION  
 △. RECOMMENDED TORQUE 0.6 Nm  
 △. - \*\*: CABLE LENGTH  
 -0.5:0.5M,  
 -1.0:1.0M,  
 ...  
 -10.0:10.0M,  
 5. CABLE ASSEMBLY TO BE PACKAGED IN POLYBAGS  
 △. LABEL CONTAINS: PN, DATE CODE...  
 △. CABLE LENGTH CODE:  
 STANDARD LENGTH: 001...007  
 CUSTOMIZATION LENGTH: >1.0M; XX OR XX5  
 EXAMPLE: 3.5M:035; 15M:150...  
 <1.0M; 99X  
 EXAMPLE: 0.4M:994; ...0.9M:999

注释:  
 △. 全剥护套绝缘层  
 △. CODE位置  
 △. 推荐扭矩0.6 Nm  
 △. - \*\*: 线缆长度  
 -0.5:0.5M,  
 -1.0:1.0M,  
 ...  
 -10.0:10.0M,  
 5. 线缆组件塑料袋包装  
 △. 标签包含: 产品编号, 日期代码...  
 △. 线缆长度编码:  
 标准长度: 001...007  
 定制长度: >1.0M; XX0 或 005  
 例如: 3.5M:035; 15.0M:150...  
 <1.0M; 99X  
 例如: 0.4M:994; 0.9M:999



TECHNICAL DATA	T41512X0002-00X	T41512X0003-00X	T41512X0004-00X	T41512X0005-00X
RATED VOLTAGE	250V		60V	
RATED IMPULSE VOLTAGE	2500V		1500V	
RATED CURRENT	4A			
POLLUTION DEGREE	3			
OVERVOLTAGE CATEGORY	II			
MATERIAL GROUP	II			
DEGREE OF PROTECTION	IP67			

PIN ARRANGEMENT A-CODE		
T41512X0002-00X	T41512X0003-00X	T41512X0004-00X
T41512X0005-00X		

WIRES: 0.34mm <sup>2</sup> (22AWG) WIRE COLOR: WH/BR/BK/BL/GR OD: APPROX.4.5MM FOR 2P/3P APPROX.5.5MM FOR 4P/5P	STANDARD: △	FIXED: -40°C~+80°C	GRAY	PUR (UL)	RPC-M12-MR-5CON-PUR-**△	5	T4151220005-00X
	-001:0.5 M	FLXIBLE: -25°C~+80°C			RPC-M12-MR-4CON-PUR-**△	4	T4151220004-00X
	-002:1.0 M				RPC-M12-MR-3CON-PUR-**△	3	T4151220003-00X
	-003:1.5 M				RPC-M12-MR-2CON-PUR-**△	2	T4151220002-00X
	-004:3.0 M	FIXED: -10°C~+80°C	BLACK	PVC (UL)	RPC-M12-MR-5CON-PVC-**△	5	T4151210005-00X
	-005:5.0 M	FLXIBLE: -5°C~+80°C			RPC-M12-MR-4CON-PVC-**△	4	T4151210004-00X
	-006:7.0 M				RPC-M12-MR-3CON-PVC-**△	3	T4151210003-00X
	-007:10.0 M				RPC-M12-MR-2CON-PVC-**△	2	T4151210002-00X
CUSTOMIZATION:							
-XX0:XX.0 M							
-XX5:XX.5 M							
-99X:0.X M							
CABLE CHARACTERISTIC	LENGTH "L"	CABLE TEMP. RANGE	JACKET COLOR	JACKET MATERIAL	TYPE	POS.	TE PN

THIS DRAWING IS A CONTROLLED DOCUMENT.

DIMENSIONS: mm	TOLERANCES UNLESS OTHERWISE SPECIFIED:	DWN HAO WANG 11AUG2015	TE Connectivity
		CHK KOBBY ZHAO 11AUG2015	
		APVD XIANG XU 11AUG2015	
		NAME M12X1 RIGHT ANGLE PLUG, FREE END A-CODE, UNSHIELDED,	
MATERIAL		PRODUCT SPEC 108-106140	SIZE A2
		APPLICATION SPEC	CAGE CODE
		WEIGHT	DRAWING NO. C-T41512X00XX00X
		CUSTOMER DRAWING	RESTRICTED TO
		SCALE 2:1	SHEET 1 OF 1
			REV B