

## Technical Characteristics

### Part Number

#### Han K4/2 Power Kit

Hood	Side Entry
Housing	Double Lever Bulkhead
Material	Die Cast Aluminum
IP / NEMA	IP66 / 4, 4x, 12
Temp Rating	-40 to +125C
Cable Gland	M40 Metal
Cable Diameter	20-26mm / 22-32mm
Insert	4(power)+2(signal)+GND
Screw Terminals	16-6AWG /20-14AWG
Wire Strip Length	14mm (power) 7.5mm (signal)
Mating Cycles	>500
Flammability	V-0

**73 10 100 0009**

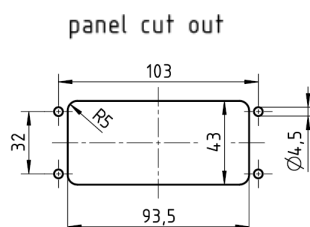
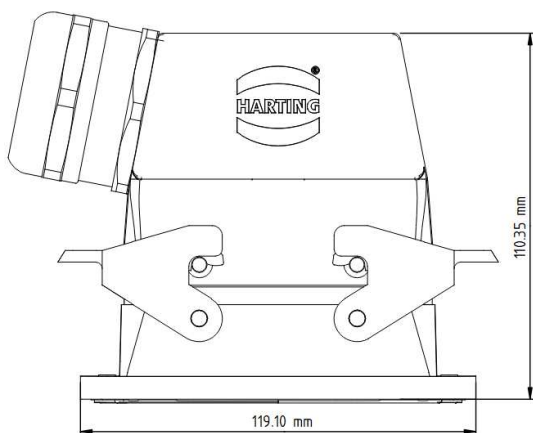


#### Electrical Characteristics

Rated Current	80A /16A
Rated Voltage	600V
Rated Impulse Voltage	8kV

## Drawings and Assembly Information

Dimensions in mm



#### Tooling and Torque Values

Type	Tool	Torque (Nm)
Terminal Screws (M3)	See HARTING E-Catalogue	
Fixing Screw (M3)	PH2 or Slotted 0.6 x 3.5	0.50
Mounting Screws (M4 recommended)	-	0.8...1.0
Cable Gland (M40)	SW 50	15

#### Kit Contents

Male Insert	09 38 006 2601
Female insert	09 38 006 2701
Housing	09 30 016 0391
Hood	19 30 016 0528
Cable Gland	19 00 000 5099