

REV	DOCUMENT	CHANGED BY	CHECK
1	DR-5299-5	SAV 21DEC99	JAF
2	CO-96056	SAV 13 MAR 00	SAV
3	PR-24412	TSM 15MAR00	SAV
4	201747	LJK 21NOV00	SAV

ELECTRICAL CHARACTERISTICS

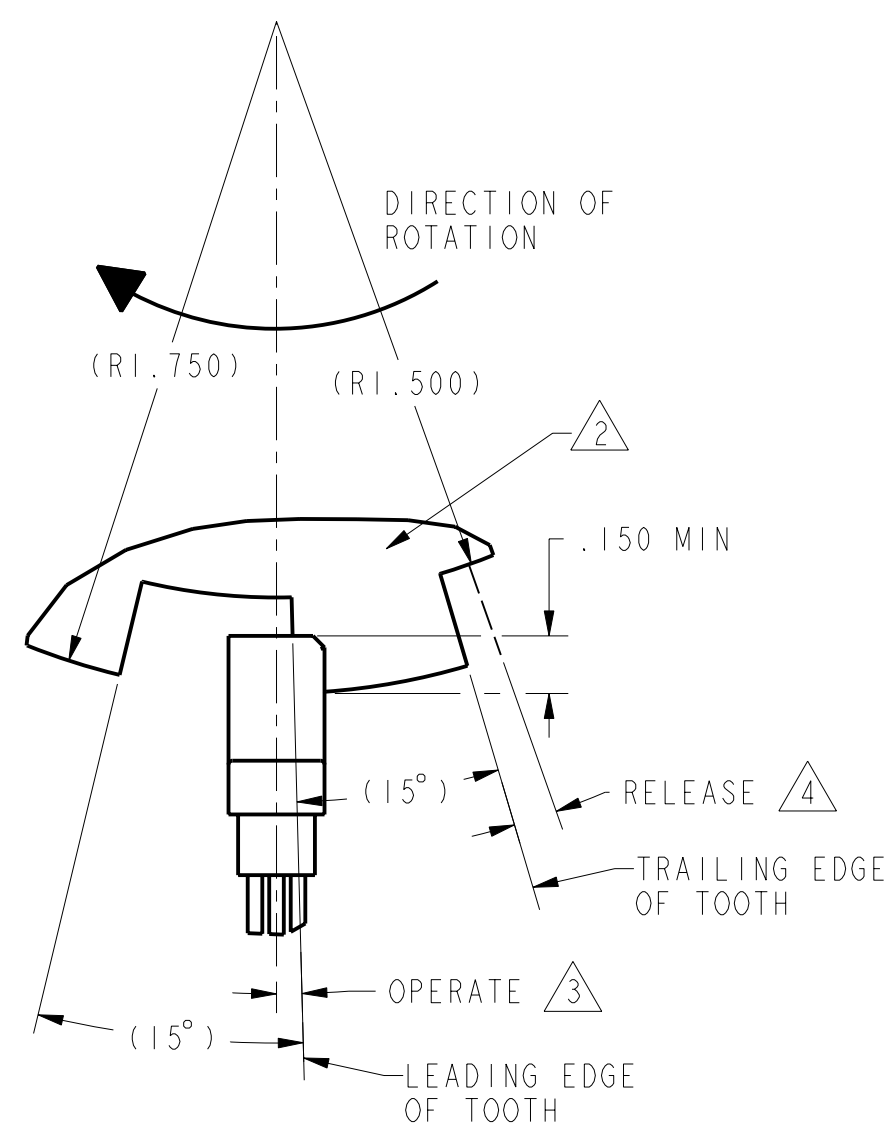
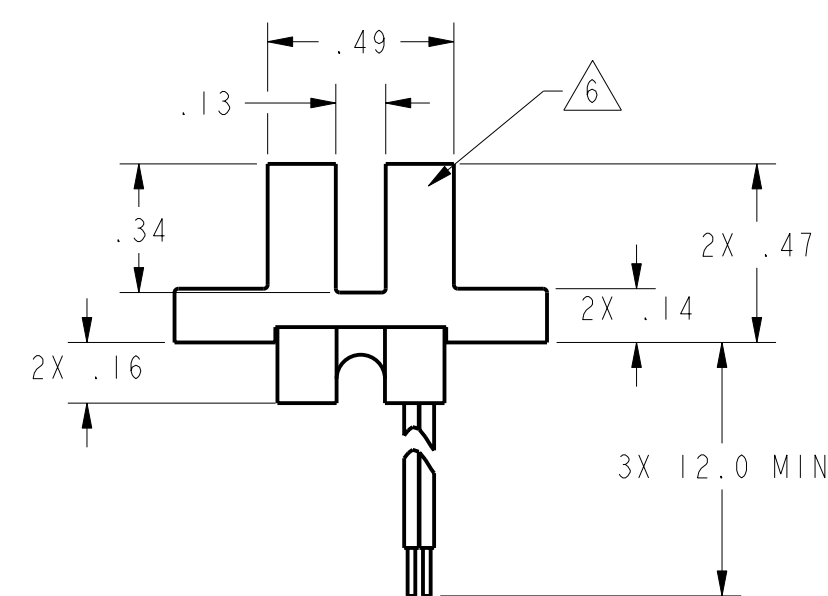
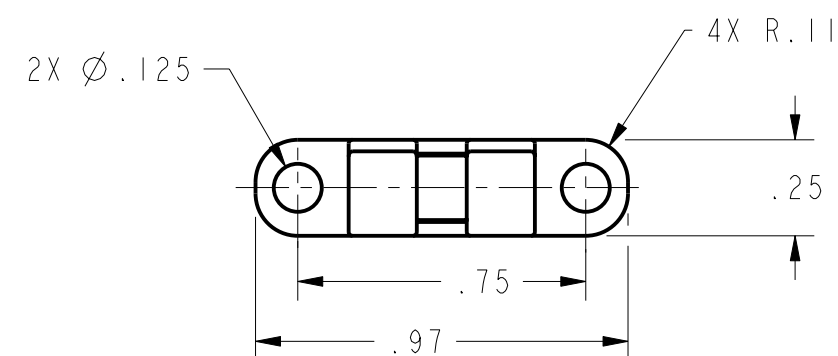
	CONDITION	
SPECIFIED VOLTAGE RANGE		3.8 TO 30 VDC
MAX I _{off}	V _{cc} =30V, I _{sink} =20mA, -20°C<T<85°C, B>MAX OP	9.0 mA
MAX I _{on}	V _{cc} =30V, I _{sink} =20mA, -20°C<T<85°C, B>MAX OP	10.0 mA
RATED SINK CURRENT		20 mA
MAX V _{sat}	V _{cc} =3.8V, I _{sink} =20mA, B>MAX OP	0.4 V
MAX LEAKAGE CURRENT	V _{out} =30V, V _{cc} =24V, B<MIN REL	10 μA
RISE TIME 10% TO 90%	T=25°C, V _{cc} =12V, R ₂ =1.6 kΩ, C ₂ =20pf	1.5 μS
FALL TIME 90% TO 10%	T=25°C, V _{cc} =12V, R ₂ =1.6 kΩ, C ₂ =20pf	1.5 μS

OPERATING SPECIFICATIONS △2/5

	LIMIT	CONDITIONS
OPERATE △3	1.5°±2.0°	TARGET ENGAGEMENT .150 TO .300 RPM 0 TO 5000
RELEASE △4	3.0°±2.5°	SLOT DEPTH .250 MIN

ABSOLUTE MAXIMUM RATINGS

TEMPERATURE	-20°C TO +85°C
SUPPLY VOLTAGE (V _s)	3.8 VDC TO 30 VDC
VOLTAGE EXTERNALLY APPLIED TO OUTPUT	-0.5 TO +30 VDC
OUTPUT CURRENT	50 mA
MAGNETIC FLUX	NO LIMIT, CIRCUIT CANNOT BE DAMAGED BY MAGNETIC OVERDRIVE



NOTES

- 1 - MOUNTING SPECIFICATION: NON-FERROUS #4 MACHINE HEAD SCREWS WITH .25 OD WASHERS TORQUED TO 3-5 INCH LBS.
- △2 SUGGESTED TARGET CONFIGURATION, MATERIAL: .045 LOW CARBON STEEL, HIGH PERMEABILITY, LOW RESIDUAL INDUCTION
- △3 OPERATE (DEGREES) IS THE ANGULAR DISTANCE FROM THE LEADING EDGE OF THE TOOTH TO THE CENTERLINE OF THE SENSOR
- △4 RELEASE (DEGREES) IS THE ANGULAR DISTANCE FROM THE TRAILING EDGE OF THE TOOTH TO THE CENTERLINE OF THE SENSOR
- △5 OPERATING SPECIFICATION IS BASED ON TARGET SHOWN AND WILL VARY WITH TARGET GEOMETRY
- △6 HONEYWELL PART NUMBER AND DATE CODE, ANY SURFACE



UNLESS OTHERWISE SPECIFIED TOLERANCES ARE:	<input checked="" type="checkbox"/> US (inch) CUSTOMARY	<input type="checkbox"/> SI (mm) METRIC	DRAWN	SAV	21DEC99	Honeywell Sensing and Control			
NO PLACE	X	±.040 ±1	CHECK	JAF	21DEC99				VANE SENSOR (MAGNETIC)
ONE PLACE	.X	±.030 ±0,4	THIS DRAWING COVERS A PROPRIETARY ITEM AND IS THE PROPERTY OF HONEYWELL SENSING AND CONTROL. THIS DRAWING IS NOT TO BE COPIED OR USED WITHOUT THE PERMISSION OF HONEYWELL.			SIZE	DWG TYPE	DRAWING NAME	
TWO PLACE	.XX	±.015 ±0,15				DIMENSIONS ARE TO BE MET BEFORE PROTECTIVE COATINGS ARE APPLIED			C
THREE PLACE	.XXX	±.005 ±	3D PTC	ASME Y14.5M-1994	SCALE 2 : 1				WEIGHT
ANGLES	±	±							
RAW MATERIAL-COMMERCIAL STANDARD									
THIRD ANGLE PROJECTION									