



Representative photograph, actual product appearance may vary.

Due to regional agency approval requirements, some products may not be available in your area. Please contact your regional Honeywell office regarding your product of choice.

HOA1404-003

HOA Series Reflective Sensor, Darlington Output, Metal Can Packaged Components

Features

- Choice of phototransistor or photodarlington output
- Focused for maximum response
- Wide operating temperature range [-55 °C to 100 °C]

Description

The HOA1404 series consists of an infrared emitting diode and an NPN silicon phototransistor (HOA1404-001, -002) or photodarlington (HOA1404-003), encased side-by-side on converging optical axes, in a black thermoplastic housing. The detector responds to radiation from the IRED only when a reflective object passes within its field of view. The HOA1404 series employs metal can packaged components. For additional component information see SE1450, SD1440 and SD1410.

Housing material is acetal copolymer. Housings are soluble in chlorinated hydrocarbons and ketones. Recommended cleaning agents are methanol and isopropanol.



HOA1404-003

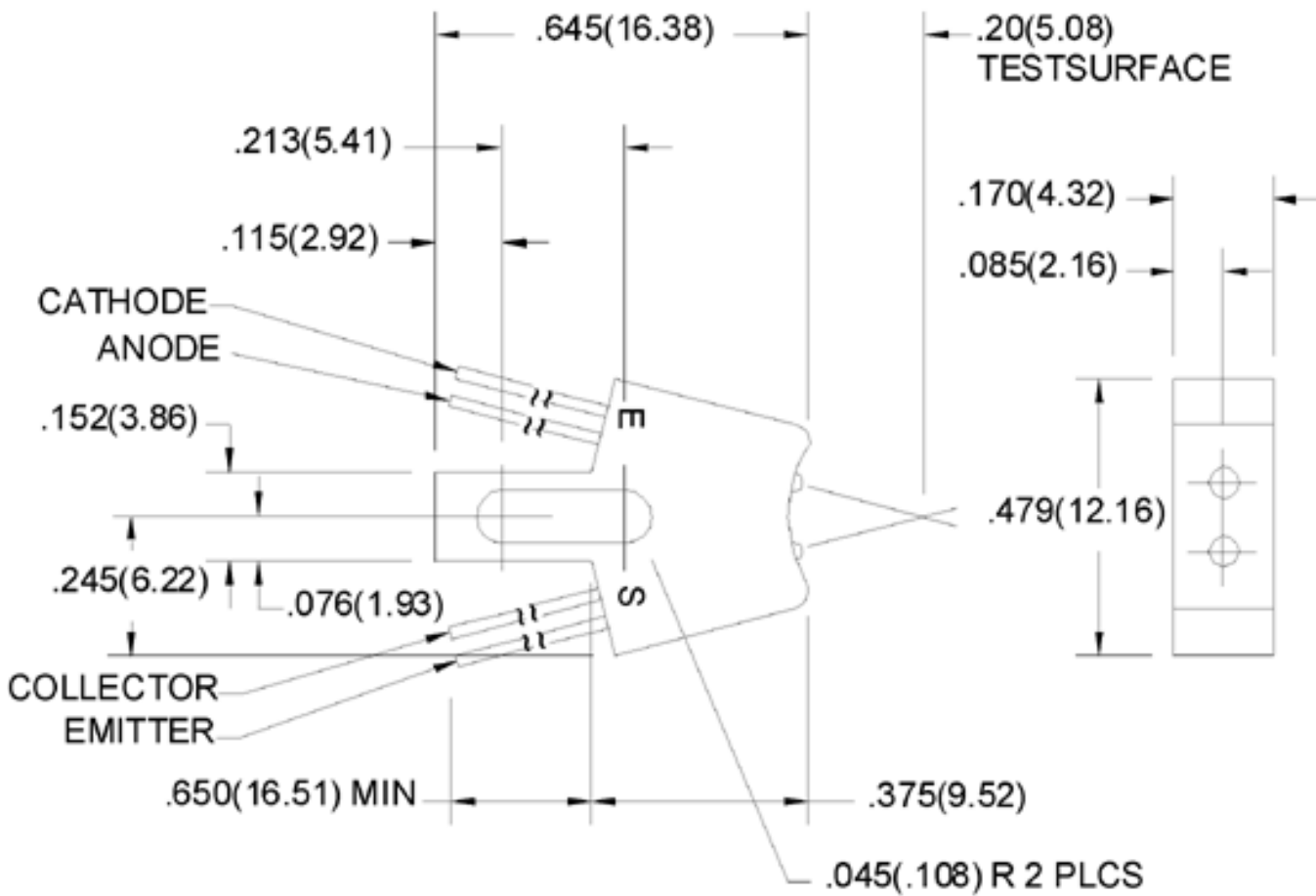
HOA Series Reflective Sensor, Darlington Output, Metal Can Packaged Components

Product Specifications	
Product Type	IR Switch
On-State Collector Current	2.00 mA
Output	Darlington
Package Style	Side-Looking
Package Components	Plastic
Package Color	Black
Forward Current	30 mA
Continuous Forward Current	50 mA
Forward Voltage	1.6 V
Reverse Breakdown Voltage	3 V
Reverse Current	10 μ A
Housing Material	Acetal Copolymer
Rise and Fall Time	75 μ s
Power Dissipation	75 mW
Operating Temperature Range	-55 °C to 100 °C [-67 °F to 212 °F]
Dark Current	250 nA
Collector DC Current	30 mA
Collector-Emitter Breakdown Voltage	15 V
Emitter-Collector Breakdown Voltage	5 V
Collector-Emitter Saturation Voltage	1.1 V
Availability	Global
Product Name	Reflective Sensor
Optimum Point of Response	5,08 mm [0.20 in]

Honeywell

HOA1404-003

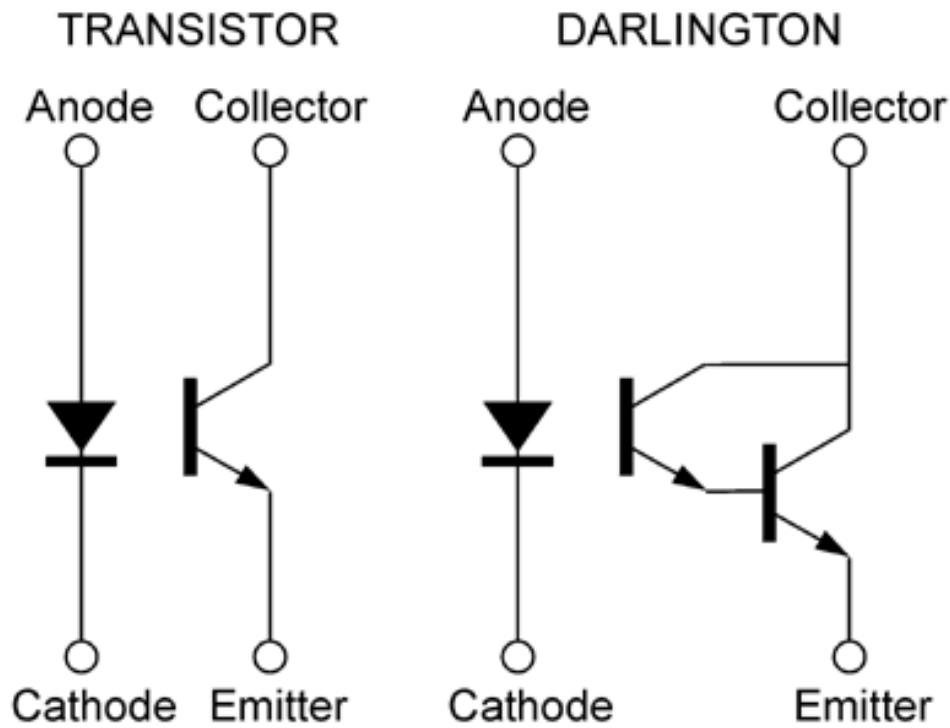
HOA Series Reflective Sensor, Darlington Output, Metal Can Packaged Components



Honeywell

HOA1404-003

HOA Series Reflective Sensor, Darlington Output, Metal Can Packaged Components



Honeywell

HOA1404-003

HOA Series Reflective Sensor, Darlington Output, Metal Can Packaged Components

⚠ WARNING

PERSONAL INJURY

DO NOT USE these products as safety or emergency stop devices, or in any other application where failure of the product could result in personal injury.

Failure to comply with these instructions could result in death or serious injury.

 **WARNING**

MISUSE OF DOCUMENTATION

- The information presented in this product sheet (or catalog) is for reference only. **DO NOT USE** this document as product installation information.
- Complete installation, operation and maintenance information is provided in the instructions supplied with each product.

Failure to comply with these instructions could result in death or serious injury.

© Copyright Honeywell Inc. 1998-2006 All rights reserved.