



*Representative photograph, actual product appearance may vary.*

*Due to regional agency approval requirements, some products may not be available in your area. Please contact your regional Honeywell office regarding your product of choice.*

## HOA1875-002

**HOA Series Transmissive Sensor, Transistor Output, Metal Can Packaged Components**

### Features

- Choice of phototransistor or photodarlington output
- Low profile package
- Wide operating temperature range [-55 °C to 100 °C]
- 0.200 in [5.08 mm] slot width

### Description

The HOA1875 series consists of an infrared emitting diode facing an NPN silicon phototransistor (HOA1875-001, -002) or photodarlington (HOA1875-003) encased in a black thermoplastic housing. Detector switching takes place whenever an opaque object passes through the slot between emitter and detector. The HOA1875 series has a 0.050 in (1.27 mm) dia. detector aperture and employs metal can packaged components. For additional component information see SE1450, SD1440, and SD1410.

Housing material is opaque polysulfone. Housings are soluble in chlorinated hydrocarbons and ketones. Recommended cleaning agents are methanol and isopropanol.



## HOA1875-002

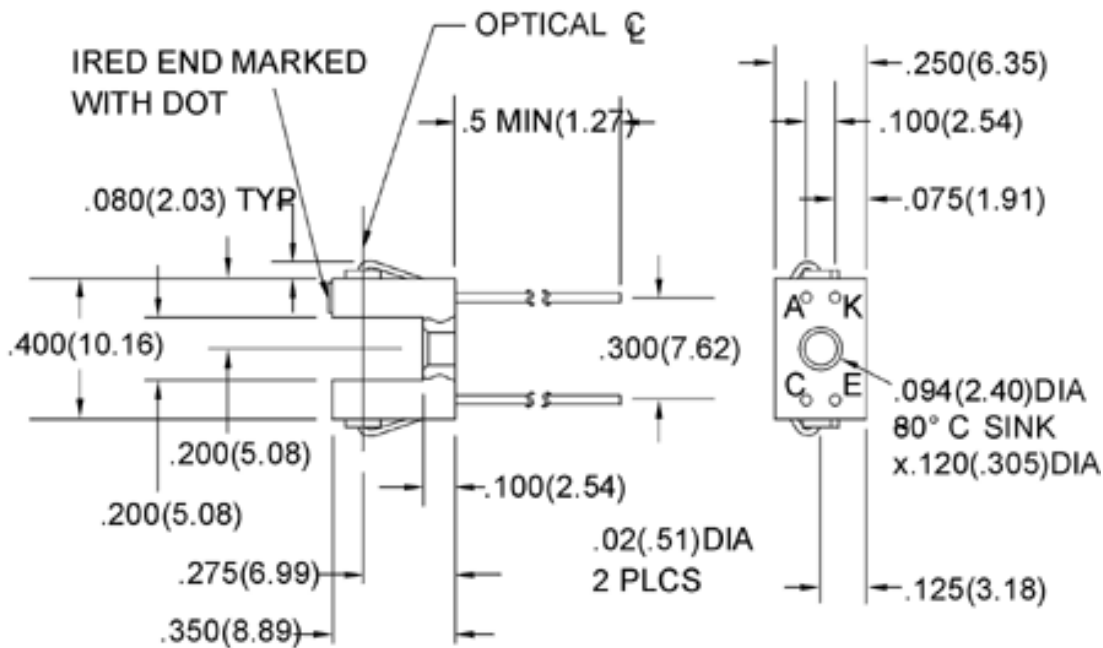
**HOA Series Transmissive Sensor, Transistor Output, Metal Can Packaged Components**

<b>Product Specifications</b>	
<b>Product Type</b>	IR Switch
<b>On-State Collector Current</b>	0.60 mA
<b>Output</b>	Transistor
<b>Package Style</b>	Side-Looking
<b>Package Components</b>	Metal
<b>Package Color</b>	Black
<b>Forward Current</b>	30 mA
<b>Continuous Forward Current</b>	50 mA
<b>Forward Voltage</b>	1.6 V
<b>Reverse Breakdown Voltage</b>	3 V
<b>Reverse Current</b>	10 $\mu$ A
<b>Housing Material</b>	Polysulfone, Opaque
<b>Rise and Fall Time</b>	15 $\mu$ s
<b>Power Dissipation</b>	75 mW
<b>Operating Temperature Range</b>	-55 °C to 100 °C [-67 °F to 212 °F]
<b>Dark Current</b>	100 nA
<b>Collector DC Current</b>	30 mA
<b>Collector-Emitter Breakdown Voltage</b>	30 V
<b>Emitter-Collector Breakdown Voltage</b>	5 V
<b>Collector-Emitter Saturation Voltage</b>	0.4 V
<b>Availability</b>	Global
<b>Product Name</b>	Transmissive Sensor
<b>Sensor Aperture</b>	12,70 mm [0.500 in] dia.
<b>Slot Width</b>	5,08 mm [0.200 in]

# Honeywell

## HOA1875-002

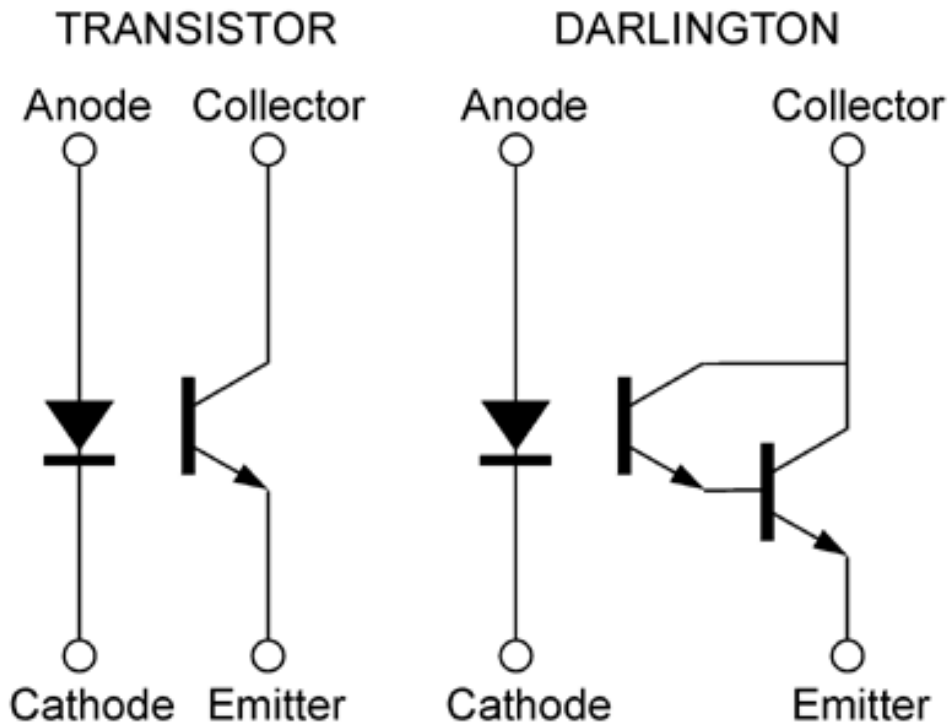
HOA Series Transmissive Sensor, Transistor Output, Metal Can Packaged Components



**Honeywell**

# HOA1875-002

HOA Series Transmissive Sensor, Transistor Output, Metal Can Packaged Components





---

# HOA1875-002

**HOA Series Transmissive Sensor, Transistor Output, Metal Can Packaged Components**

## **WARNING**

### **PERSONAL INJURY**

DO NOT USE these products as safety or emergency stop devices, or in any other application where failure of the product could result in personal injury.

**Failure to comply with these instructions could result in death or serious injury.**

## **WARNING**

### **MISUSE OF DOCUMENTATION**

- The information presented in this product sheet (or catalog) is for reference only. DO NOT USE this document as product installation information.
- Complete installation, operation and maintenance information is provided in the instructions supplied with each product.

**Failure to comply with these instructions could result in death or serious injury.**

© Copyright Honeywell Inc.1998-2006 All rights reserved.