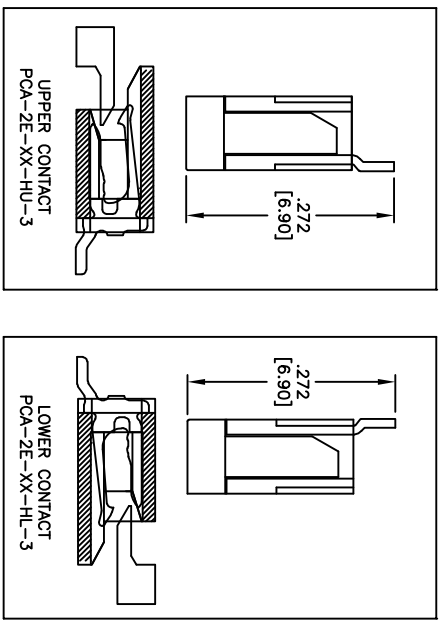
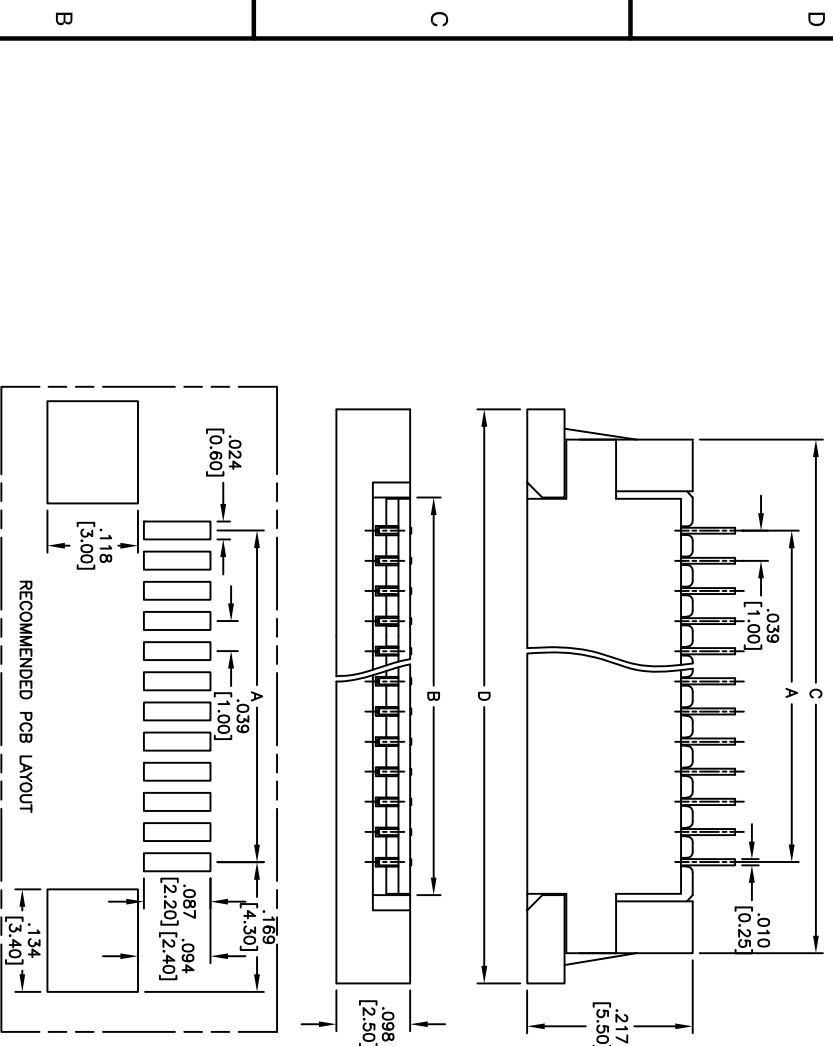


Rev	AWO #	Description	Date	Appr
-		RELEASED	8/29/12	

APPROVED: _____
 DATE: _____ TITLE: _____



Positions: 4 thru 30
 A = .039 [1.00] x No. of (Positions-1)
 B = A + .083 [2.10]
 C = A + .240 [6.10]
 D = A + .315 [8.00]

SPECIFICATIONS:
 Material: Insulator: Hi-temp thermoplastic, rated UL 94V-0
 Contact: Phosphor Bronze
 Plating: Tin over Copper underplate overall.
 Electrical:
 Operating voltage: 50V AC/DC
 Current rating: 0.5A AC/DC
 Contact resistance: 20 mohms Max.
 Insulation resistance: 800 mohms Min.
 Withstand Voltage: 500V AC/minute
 Temperature Rating:
 Operating temperature: -25°C to +85°C
 Environmental:
 Lead free, RoHS compliant.



UNLESS OTHERWISE SPECIFIED	
ALL DIMENSIONS ARE INCHES [MM]	
TOLERANCES EXCEPT AS NOTED	
INCHES	HOLES
.X ± .10	ØXX ± .10
.XX ± .020	ØXXX ± .015
.XXX ± .015	ØXXXX ± .010
APPROVALS	DATE
DRAWN AY	8/29/12
CHECKED AL	8/29/12
APPROVED	

ADAM TECH
 909 Railway Avenue, Union, NJ 07083
 Phone: 908-687-5000 Fax: 908-687-5710

TITLE: ZIF FLEX CIRCUIT CONNECTOR
 SIDE ENTRY, SMT TYPE

SIZE	PART NO.	SCALE	SHEET	REV.
X	PCA-2E-XX-HX-3	NIS	1 OF 1	-

6 5 4 3 2 1