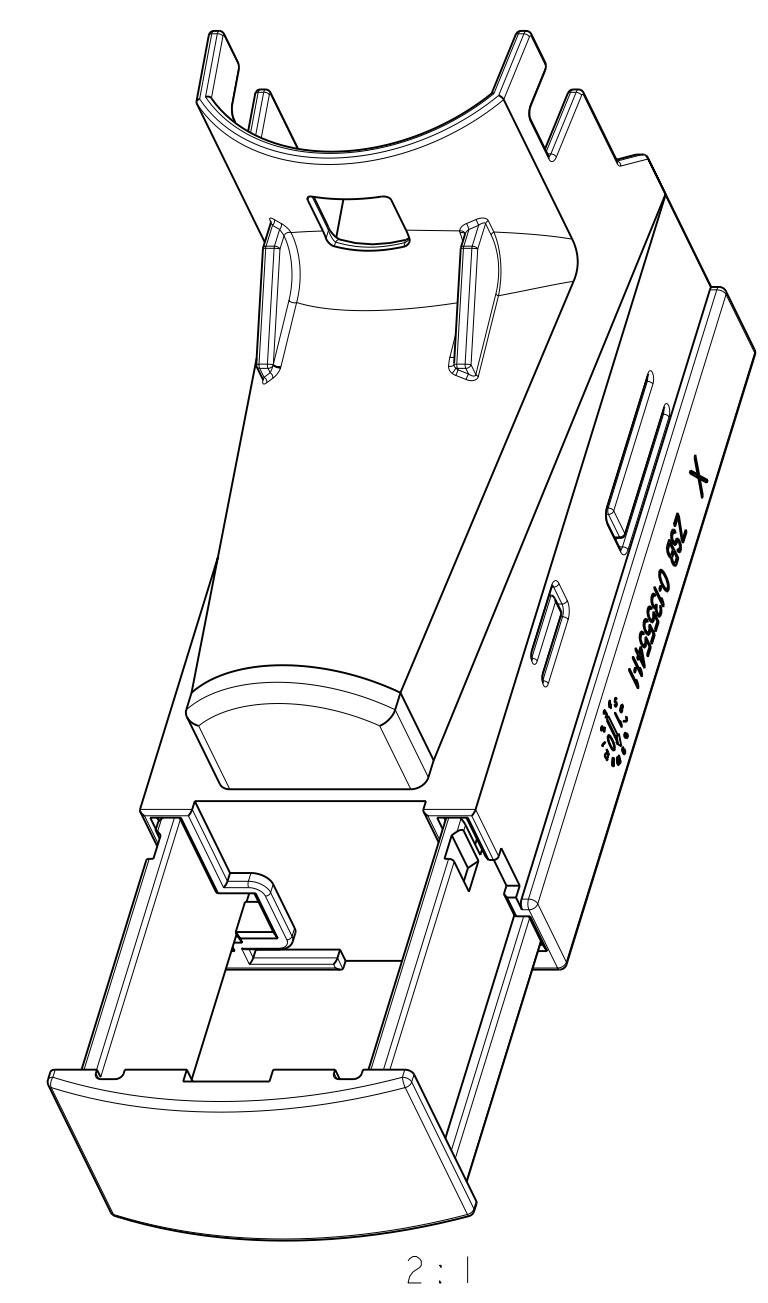
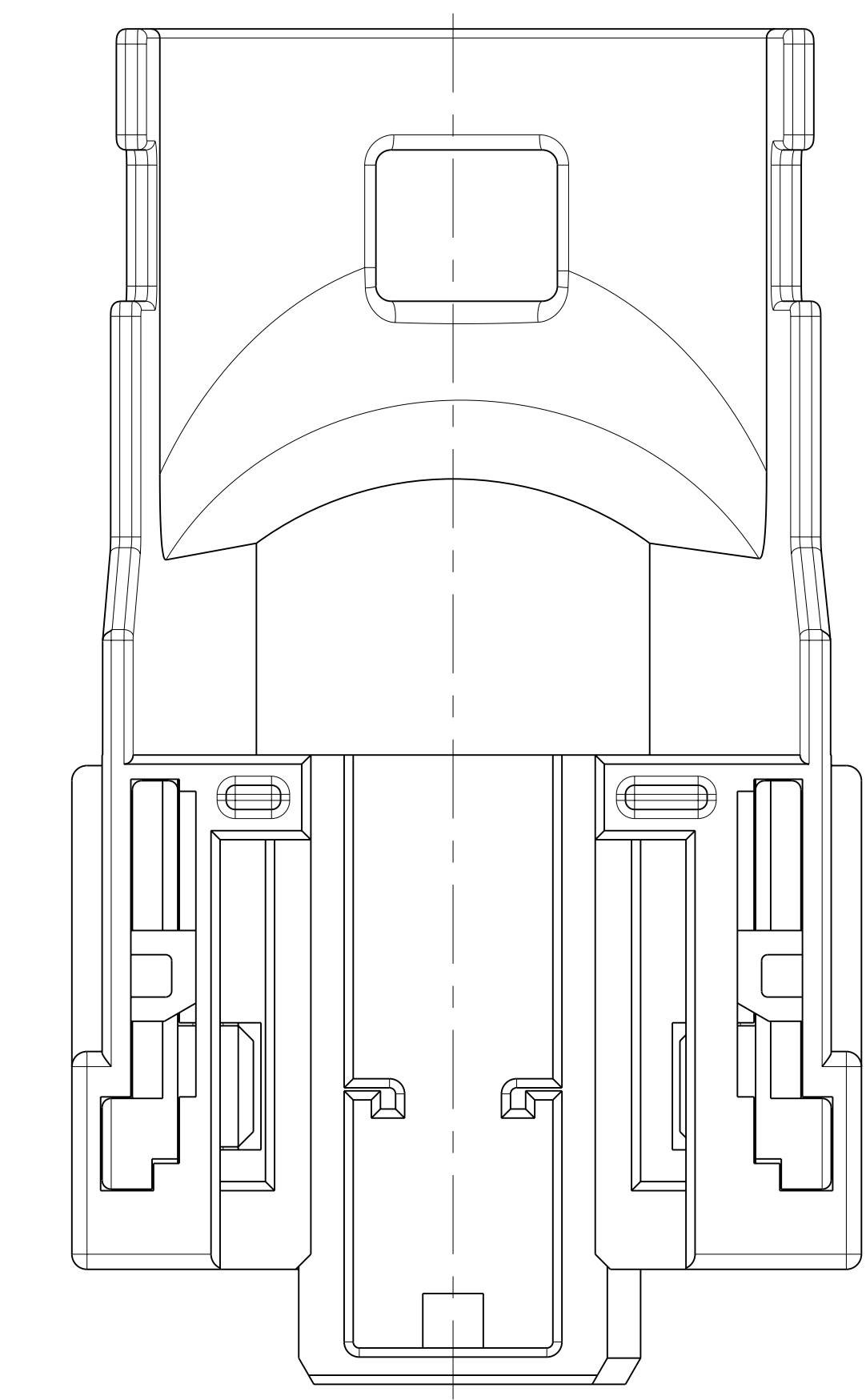
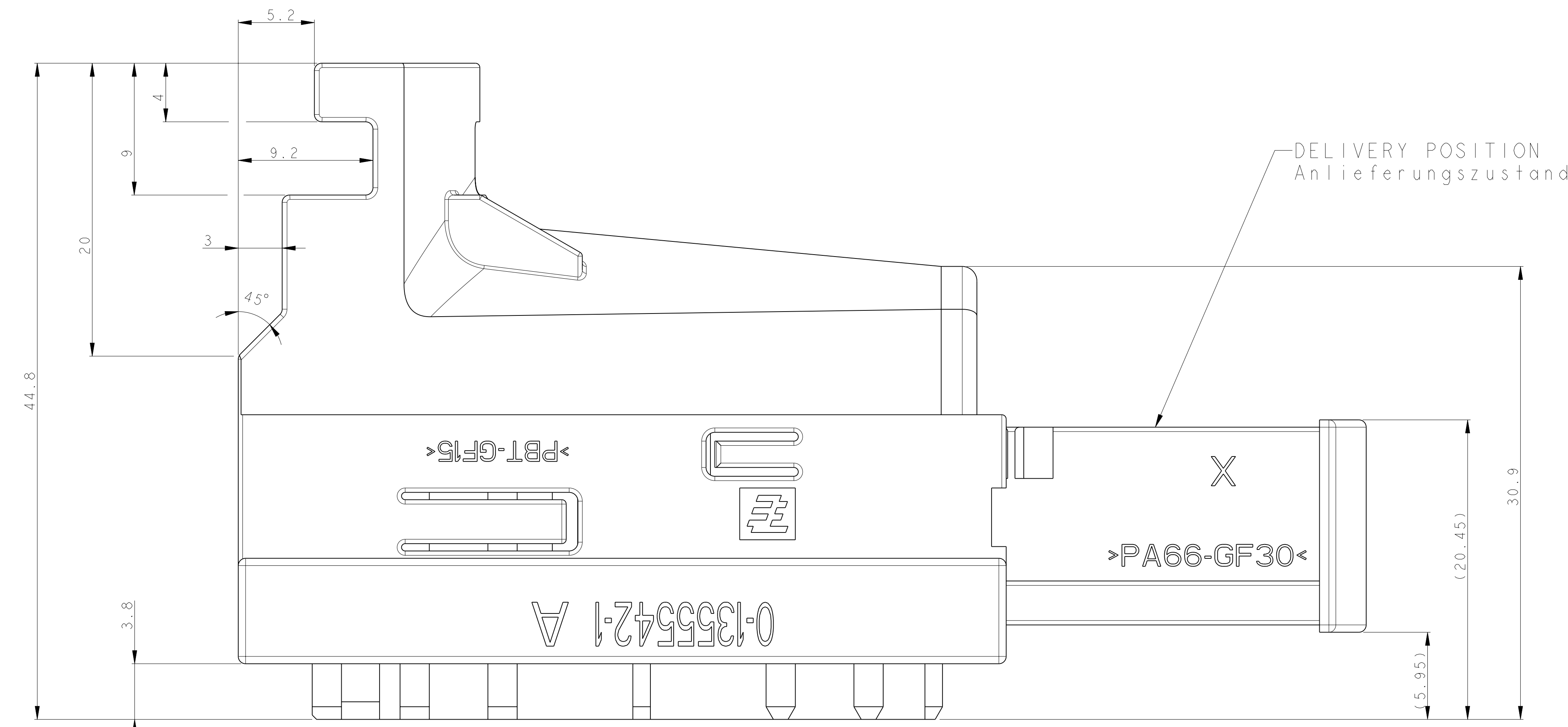
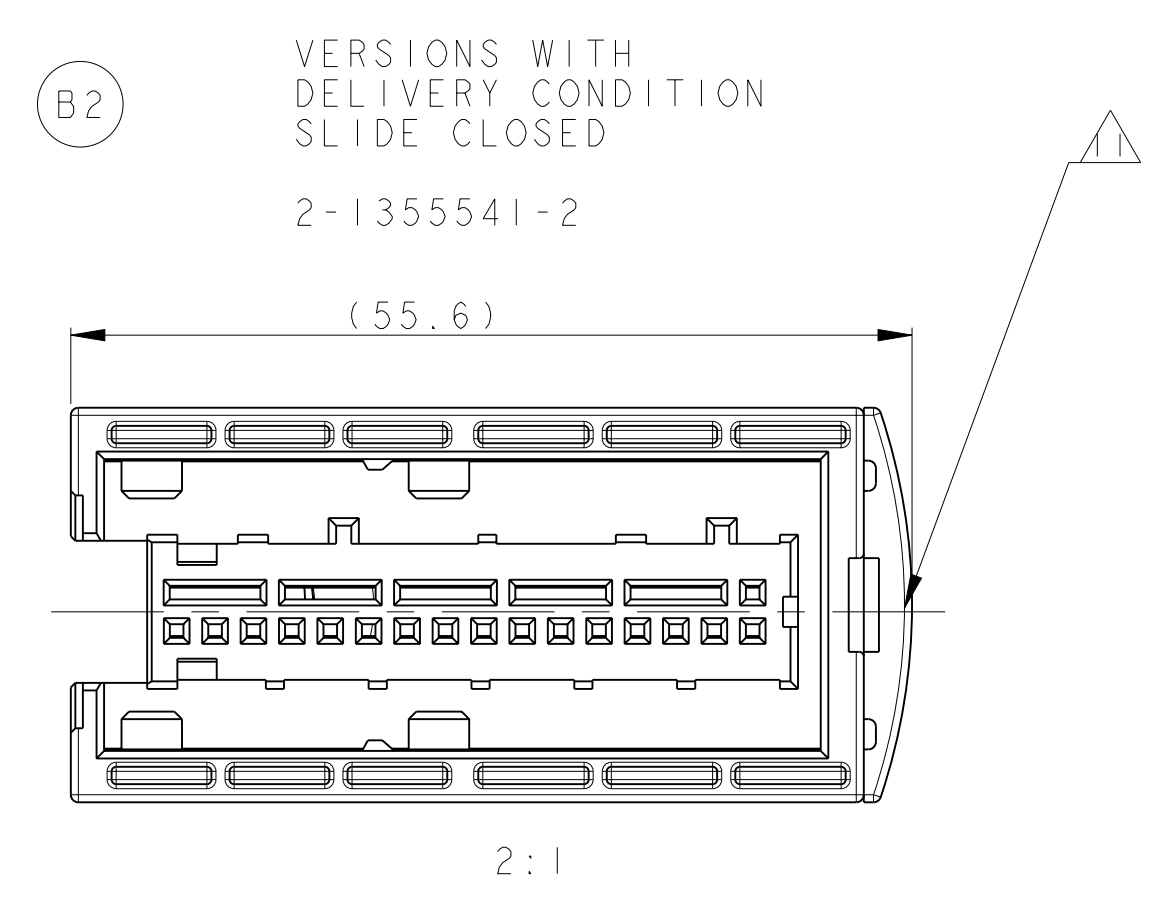
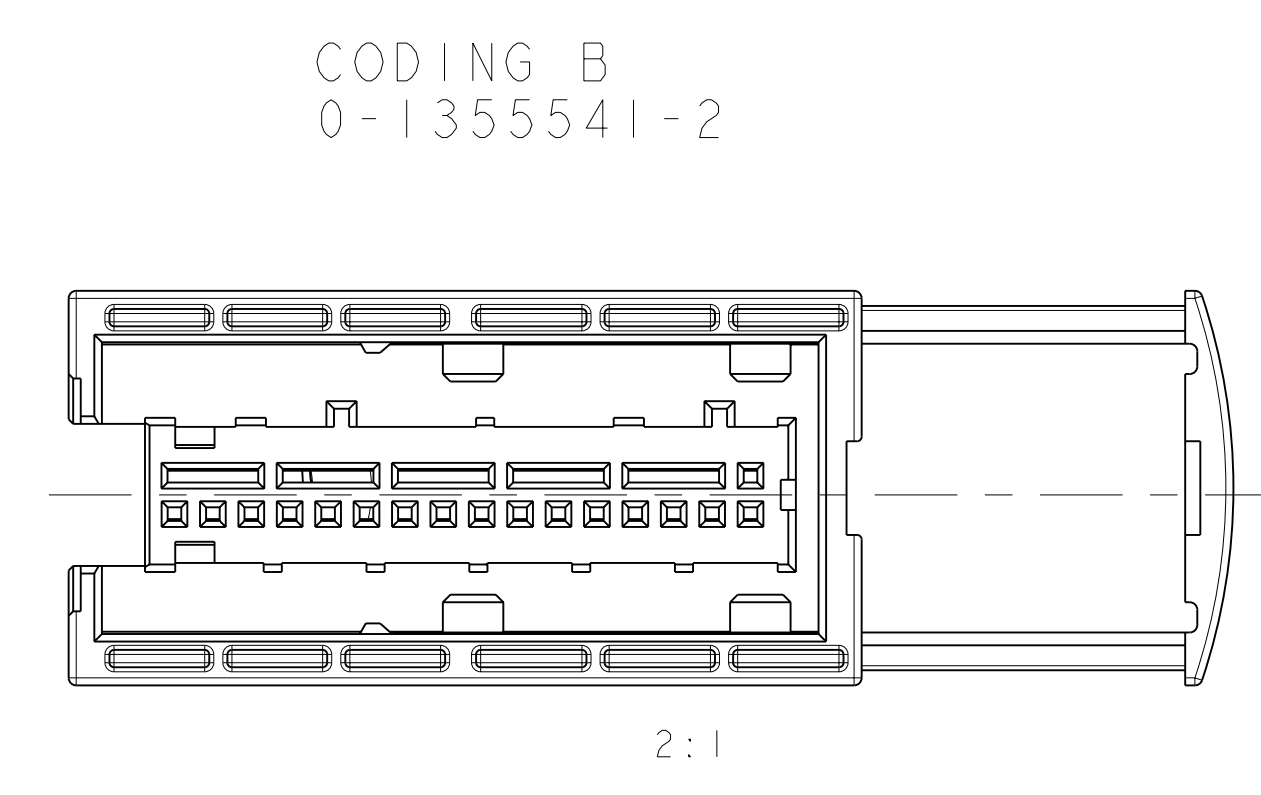
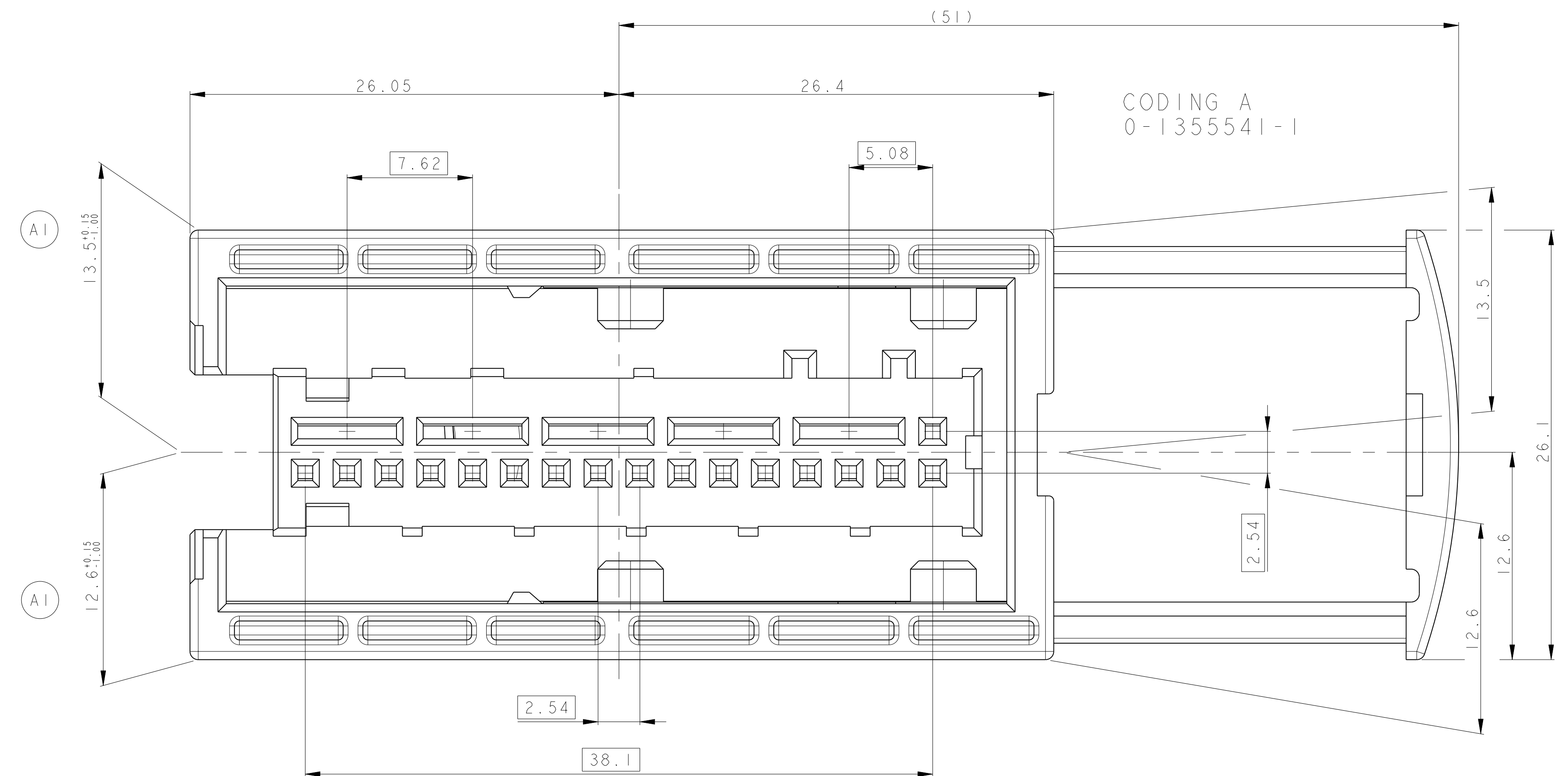
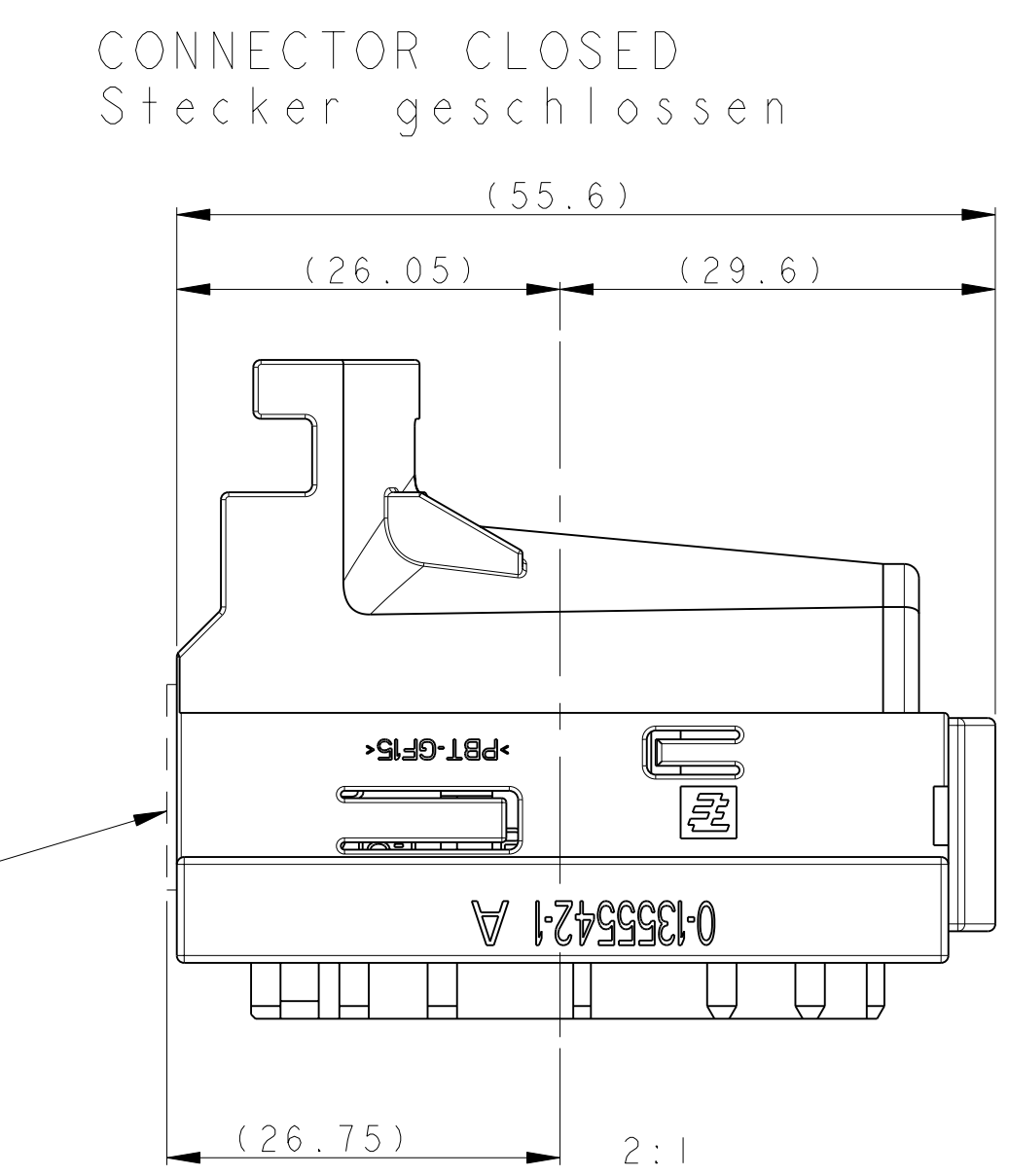
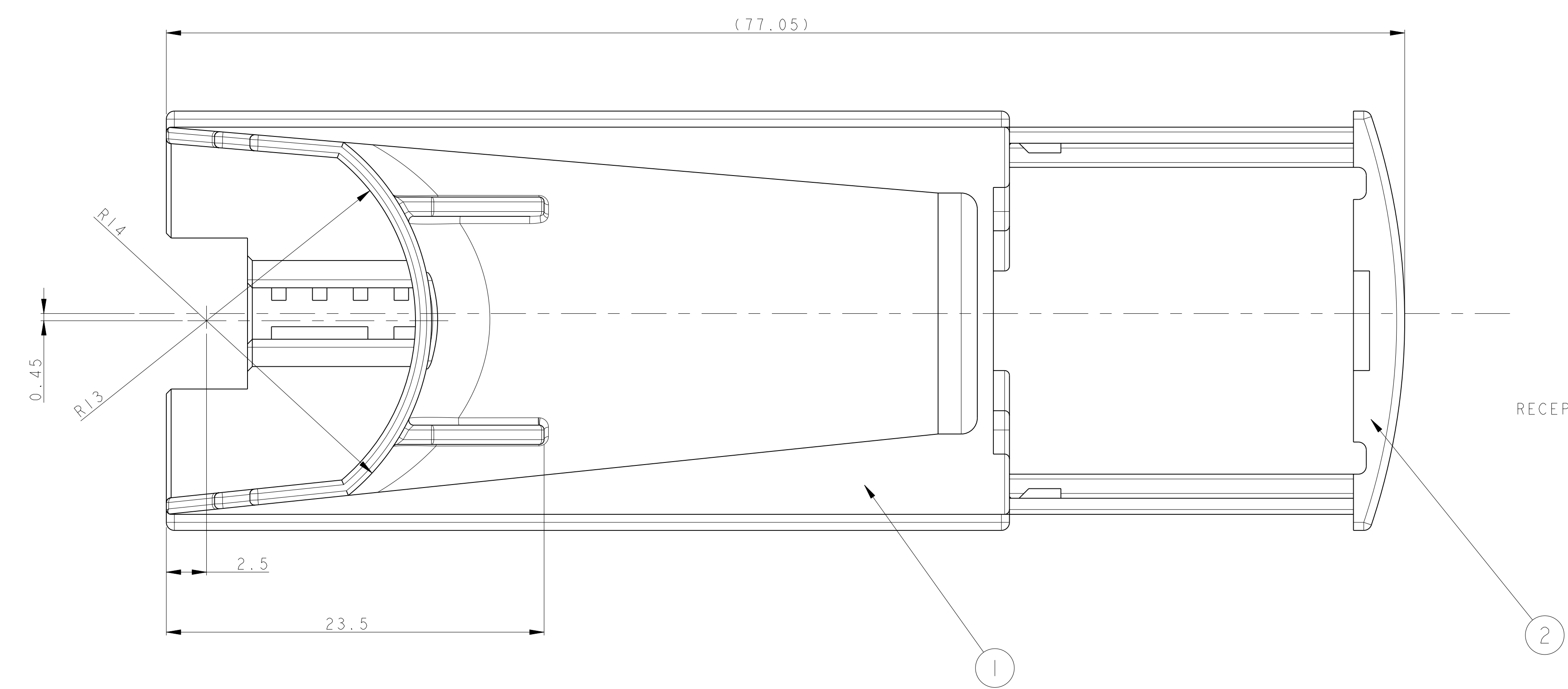


PROJEKT NO.		REVISIONS			
A98-52279 B916704		REV	DATE	BY	APPD
B3	SEE E-08-24812		23OCT08	HSCB	AK
B4	SEE E-09-023384		14JAN10	FU	HS



REV	DATE	DESCRIPTION	BY	APPD
A1		0-1355589-1		
		32POS MODULI PINHEADER, 90° VERSION, RIGHT, COD A		
		32POS MODULI PINHEADER, 90° VERSION, LEFT, COD A		
		5xTAB5.2mm+2xMODULI PINHEADER, 180° VERSION, COD A		
		0-1355587-1/-2		
		32POS MODULI PINHEADER, 180° VERSION, COD. A AND B		
		0-1241725-1		
		5xPO+2xMOS RECEPTACLE HOUSING		
		0-1241724-1		
		32POS MOS RECEPTACLE HOUSING		
		114-18079		
		INTERFACEDRAWING FOR 5xPO+2xMOS CONNECTOR		
		114-18078		
		INTERFACEDRAWING FOR 32POS MOS CONNECTOR		
		NUMBER DESCRIPTION		
		NUMBER BESCHREIBUNG		
		COUNTERPARTS		
		GENGESTECKER		



- NOTES
Bemerkungen
- B4 AMP or TE-LOGO
 - AMP or TE-Logo
 - ORDER-NUMBER
 - Bestell-Nummer
 - REVISIONS-NUMBER
 - Werkzeugänderungsindex
 - GM-LOGO
 - GM-Logo
 - CAVITY MARKING
 - Nestmarkierung
 - CUSTOMER SIGN
 - Kunden-Kurzzeichen
 - PACKAGE: IN LAYERS IN CARTON
 - Verpackung: Teile lageweise im Karton
 - MATERIAL MARKING
 - Werkstoffkennzeichnung
 - PRODUCTION-DATE
 - Produktions-Datum
 - SPECIAL PACKAGE FOR RUDE TRANSPORT: 180 PIECES IN LAYERS IN CARTON
 - Spezialverpackung fuer rauhen Transport: 180 Teile lageweise im Karton
 - BEFORE MATING WITH COUNTERPART MOVE SLIDE IN PRELOCK-POSITION
 - Vor dem Stecken auf das Gegenstück zuerst den Schieber in Vorraststellung schieben

REV	DATE	DESCRIPTION	MATERIAL	SURFACE COLOR	WEIGHT	ITEM NO
B2		2-1355541-2	PA66-GF 30	RED	-	
		A	PBT-GF 15	BLUE	-	
		I	SLIDE	PA66-GF 30	RED	
B3		1-1355541-2	PA66-GF 30	RED	-	
		B	PBT-GF 15	BLUE	-	
		I	COVER CODING B	PA66-GF 30	RED	
B1		1-1355541-1	PBT-GF 15	BLACK	-	
		A	COVER CODING A	PA66-GF 30	RED	
		I	SLIDE	PBT-GF 15	BLUE	
		I	COVER CODING B	PA66-GF 30	RED	
		I	COVER CODING A	PBT-GF 15	BLACK	
		I	SLIDE	PA66-GF 30	RED	
		I	COVER CODING B	PBT-GF 15	BLUE	
		I	COVER CODING A	PBT-GF 15	BLACK	
		I	SLIDE	PA66-GF 30	RED	
		I	COVER CODING B	PBT-GF 15	BLUE	
		I	COVER CODING A	PBT-GF 15	BLACK	
		I	SLIDE	PA66-GF 30	RED	
		I	COVER CODING B	PBT-GF 15	BLUE	
		I	COVER CODING A	PBT-GF 15	BLACK	
		I	SLIDE	PA66-GF 30	RED	
		I	COVER CODING B	PBT-GF 15	BLUE	
		I	COVER CODING A	PBT-GF 15	BLACK	
		I	SLIDE	PA66-GF 30	RED	
		I	COVER CODING B	PBT-GF 15	BLUE	
		I	COVER CODING A	PBT-GF 15	BLACK	
		I	SLIDE	PA66-GF 30	RED	
		I	COVER CODING B	PBT-GF 15	BLUE	
		I	COVER CODING A	PBT-GF 15	BLACK	
		I	SLIDE	PA66-GF 30	RED	
		I	COVER CODING B	PBT-GF 15	BLUE	
		I	COVER CODING A	PBT-GF 15	BLACK	
		I	SLIDE	PA66-GF 30	RED	
		I	COVER CODING B	PBT-GF 15	BLUE	
		I	COVER CODING A	PBT-GF 15	BLACK	
		I	SLIDE	PA66-GF 30	RED	
		I	COVER CODING B	PBT-GF 15	BLUE	
		I	COVER CODING A	PBT-GF 15	BLACK	
		I	SLIDE	PA66-GF 30	RED	
		I	COVER CODING B	PBT-GF 15	BLUE	
		I	COVER CODING A	PBT-GF 15	BLACK	
		I	SLIDE	PA66-GF 30	RED	
		I	COVER CODING B	PBT-GF 15	BLUE	
		I	COVER CODING A	PBT-GF 15	BLACK	
		I	SLIDE	PA66-GF 30	RED	
		I	COVER CODING B	PBT-GF 15	BLUE	
		I	COVER CODING A	PBT-GF 15	BLACK	
		I	SLIDE	PA66-GF 30	RED	
		I	COVER CODING B	PBT-GF 15	BLUE	
		I	COVER CODING A	PBT-GF 15	BLACK	
		I	SLIDE	PA66-GF 30	RED	
		I	COVER CODING B	PBT-GF 15	BLUE	
		I	COVER CODING A	PBT-GF 15	BLACK	
		I	SLIDE	PA66-GF 30	RED	
		I	COVER CODING B	PBT-GF 15	BLUE	
		I	COVER CODING A	PBT-GF 15	BLACK	
		I	SLIDE	PA66-GF 30	RED	
		I	COVER CODING B	PBT-GF 15	BLUE	
		I	COVER CODING A	PBT-GF 15	BLACK	
		I	SLIDE	PA66-GF 30	RED	
		I	COVER CODING B	PBT-GF 15	BLUE	
		I	COVER CODING A	PBT-GF 15	BLACK	
		I	SLIDE	PA66-GF 30	RED	
		I	COVER CODING B	PBT-GF 15	BLUE	
		I	COVER CODING A	PBT-GF 15	BLACK	
		I	SLIDE	PA66-GF 30	RED	
		I	COVER CODING B	PBT-GF 15	BLUE	
		I	COVER CODING A	PBT-GF 15	BLACK	
		I	SLIDE	PA66-GF 30	RED	
		I	COVER CODING B	PBT-GF 15	BLUE	
		I	COVER CODING A	PBT-GF 15	BLACK	
		I	SLIDE	PA66-GF 30	RED	
		I	COVER CODING B	PBT-GF 15	BLUE	
		I	COVER CODING A	PBT-GF 15	BLACK	
		I	SLIDE	PA66-GF 30	RED	
		I	COVER CODING B	PBT-GF 15	BLUE	
		I	COVER CODING A	PBT-GF 15	BLACK	
		I	SLIDE	PA66-GF 30	RED	
		I	COVER CODING B	PBT-GF 15	BLUE	
		I	COVER CODING A	PBT-GF 15	BLACK	
		I	SLIDE	PA66-GF 30	RED	
		I	COVER CODING B	PBT-GF 15	BLUE	
		I	COVER CODING A	PBT-GF 15	BLACK	
		I	SLIDE	PA66-GF 30	RED	
		I	COVER CODING B	PBT-GF 15	BLUE	
		I	COVER CODING A	PBT-GF 15	BLACK	
		I	SLIDE	PA66-GF 30	RED	
		I	COVER CODING B	PBT-GF 15	BLUE	
		I	COVER CODING A	PBT-GF 15	BLACK	
		I	SLIDE	PA66-GF 30	RED	
		I	COVER CODING B	PBT-GF 15	BLUE	
		I	COVER CODING A	PBT-GF 15	BLACK	
		I	SLIDE	PA66-GF 30	RED	
		I	COVER CODING B	PBT-GF 15	BLUE	
		I	COVER CODING A	PBT-GF 15	BLACK	
		I	SLIDE	PA66-GF 30	RED	
		I	COVER CODING B	PBT-GF 15	BLUE	
		I	COVER CODING A	PBT-GF 15	BLACK	
		I	SLIDE	PA66-GF 30	RED	
		I	COVER CODING B	PBT-GF 15	BLUE	
		I	COVER CODING A	PBT-GF 15	BLACK	
		I	SLIDE	PA66-GF 30	RED	
		I	COVER CODING B	PBT-GF 15	BLUE	
		I	COVER CODING A	PBT-GF 15	BLACK	
		I	SLIDE	PA66-GF 30	RED	
		I	COVER CODING B	PBT-GF 15	BLUE	
		I	COVER CODING A	PBT-GF 15	BLACK	
		I	SLIDE	PA66-GF 30	RED	
		I	COVER CODING B	PBT-GF 15	BLUE	
		I	COVER CODING A	PBT-GF 15	BLACK	
		I	SLIDE	PA66-GF 30	RED	
		I	COVER CODING B	PBT-GF 15	BLUE	
		I	COVER CODING A	PBT-GF 15	BLACK	
		I	SLIDE	PA66-GF 30	RED	
		I	COVER CODING B	PBT-GF 15	BLUE	
		I	COVER CODING A	PBT-GF 15	BLACK	
		I	SLIDE	PA66-GF 30	RED	
		I	COVER CODING B	PBT-GF 15	BLUE	
		I	COVER CODING A	PBT-GF 15	BLACK	
		I	SLIDE	PA66-GF 30	RED	
		I	COVER CODING B	PBT-GF 15	BLUE	
		I	COVER CODING A	PBT-GF 15	BLACK	
		I	SLIDE	PA66-GF 30	RED	
		I	COVER CODING B	PBT-GF 15	BLUE	
		I	COVER CODING A	PBT-GF 15	BLACK	
		I	SLIDE	PA66-GF 30	RED	
		I	COVER CODING B	PBT-GF 15	BLUE	
		I	COVER CODING A	PBT-GF 15	BLACK	
		I	SLIDE	PA66-GF 30	RED	
		I	COVER CODING B	PBT-GF 15	BLUE	
		I	COVER CODING A	PBT-GF 15	BLACK	
		I	SLIDE	PA66-GF 30	RED	
		I	COVER CODING B	PBT-GF 15	BLUE	
		I	COVER CODING A	PBT-GF 15	BLACK	
		I	SLIDE	PA66-GF 30	RED	
		I	COVER CODING B	PBT-GF 15	BLUE	
		I	COVER CODING A	PBT-GF 15	BLACK	
		I	SLIDE	PA66-GF 30	RED	
		I	COVER CODING B	PBT-GF 15	BLUE	
		I	COVER CODING A	PBT-GF 15	BLACK	
		I	SLIDE	PA66-GF 30	RED	
		I	COVER CODING B	PBT-GF 15	BLUE	
		I	COVER CODING A	PBT-GF 15	BLACK	
		I	SLIDE	PA66-GF 30	RED	
		I	COVER CODING B	PBT-GF 15	BLUE	
		I	COVER CODING A	PBT-GF 15	BLACK	
		I	SLIDE	PA66-GF 30	RED	
		I	COVER CODING B	PBT-GF 15	BLUE	
		I	COVER CODING A	PBT-GF 15	BLACK	
		I	SLIDE	PA66-GF 30	RED	
		I	COVER CODING B	PBT-GF 15	BLUE	
		I	COVER CODING A	PBT-GF 15	BLACK	
		I	SLIDE	PA66-GF 30	RED	
		I	COVER CODING B	PBT-GF 15	BLUE	
		I	COVER CODING A	PBT-GF 15	BLACK	
		I	SLIDE	PA66-GF 30	RED	
		I	COVER CODING B	PBT-GF 15	BLUE	
		I	COVER CODING A	PBT-GF 15	BLACK	
		I	SLIDE	PA66-GF 30	RED	
		I	COVER CODING B	PBT-GF 15	BLUE	
		I	COVER CODING A	PBT-GF 15	BLACK	
		I	SLIDE	PA66-GF 30	RED	
		I	COVER CODING B	PBT-GF 15	BLUE	
		I	COVER CODING A	PBT-GF 15	BLACK	
		I	SLIDE	PA66-GF 30	RED	
		I	COVER CODING B	PBT-GF 15	BLUE	
		I	COVER CODING A	PBT-GF 15	BLACK	
		I	SLIDE	PA66-GF 30	RED	
		I	COVER CODING B	PBT-GF 15	BLUE	
		I	COVER CODING A	PBT-GF 15	BLACK	
		I	SLIDE	PA66-GF 30	RED	
		I	COVER CODING B	PBT-GF 15	BLUE	
		I	COVER CODING A	PBT-GF 15	BLACK	
		I				

Mouser Electronics

Authorized Distributor

Click to View Pricing, Inventory, Delivery & Lifecycle Information:

[TE Connectivity:](#)

[1355541-1](#)