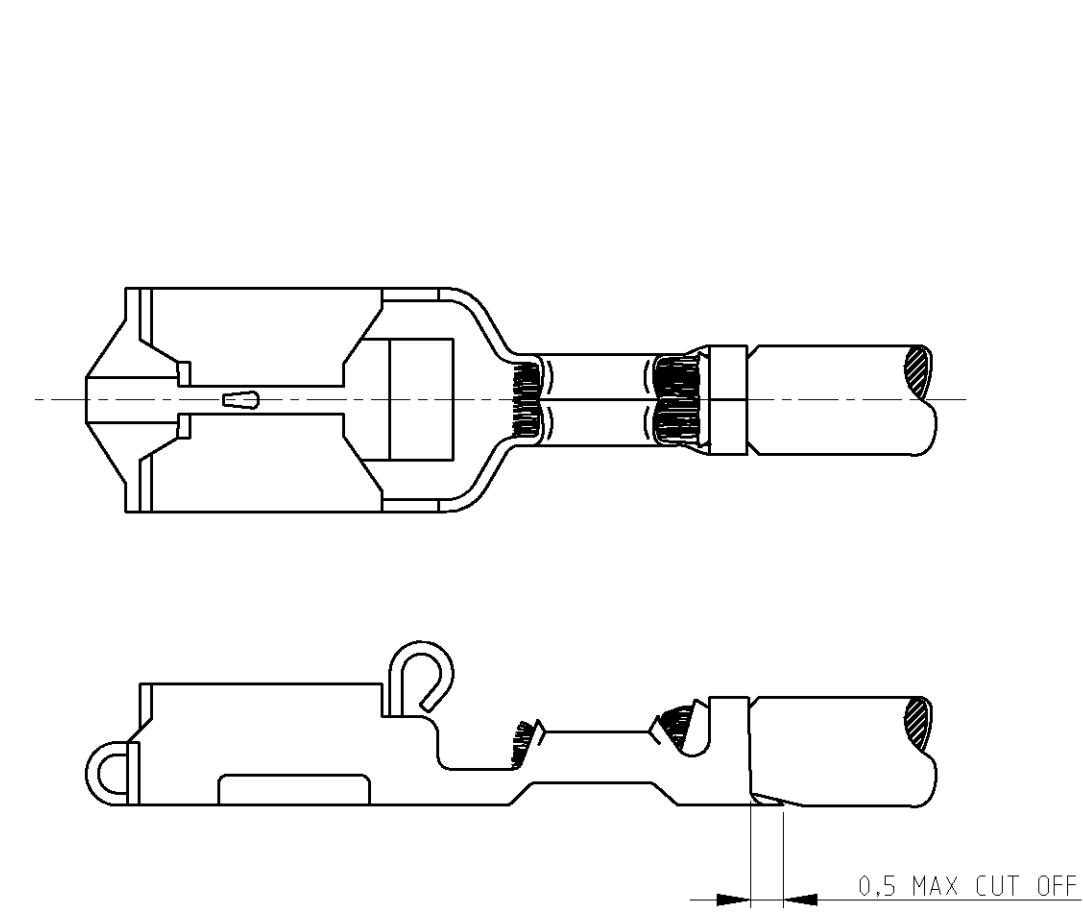
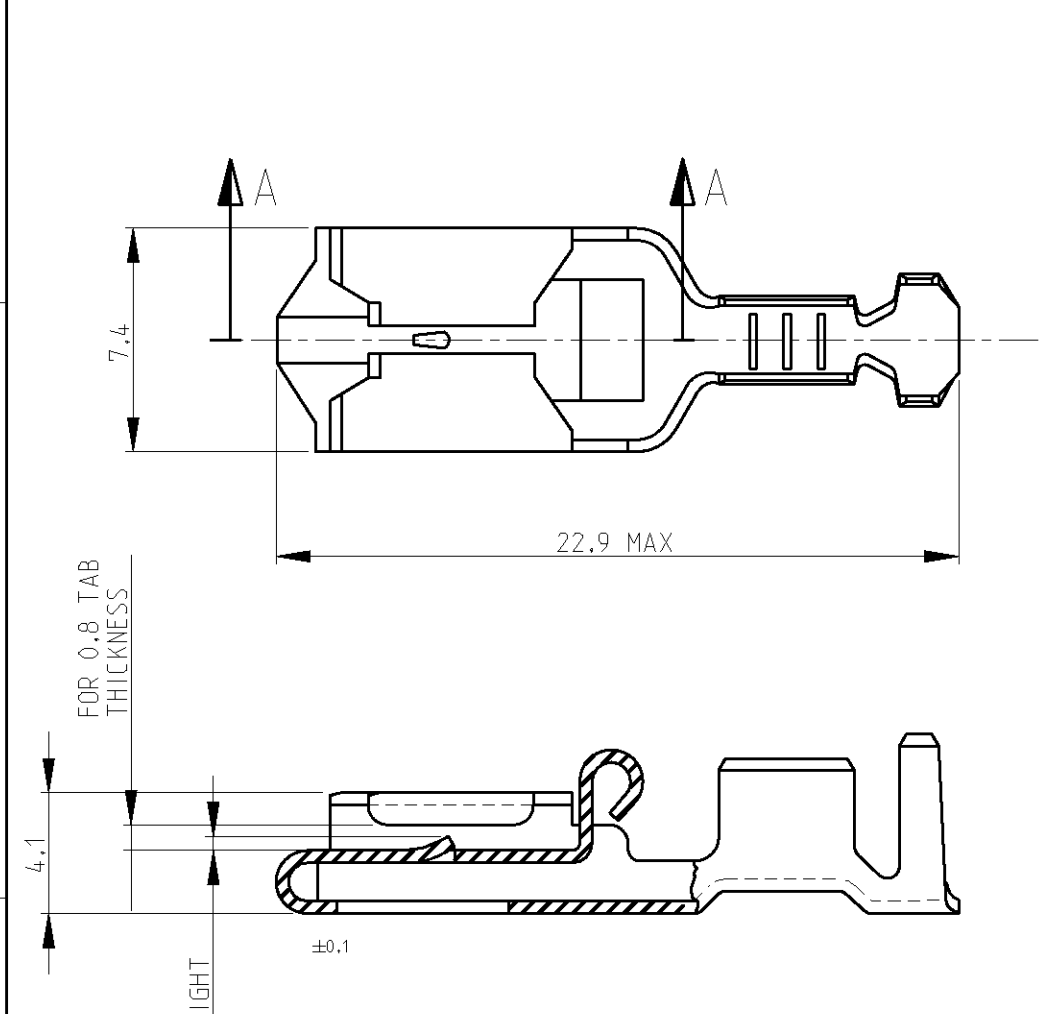


THIS DRAWING IS UNPUBLISHED. RELEASED FOR PUBLICATION
 © COPYRIGHT BY ALL RIGHTS RESERVED.

LOC	DIST	REVISIONS			
P	LTR	DESCRIPTION	DATE	DWN	APVD
AL	2	F2	REVISED PER ECR-16-001995	11FEB2016	BW MD



OBSOLETE	STRIP NO.	FINISH	MATERIAL	PARTNUMBER
	2-160759-7	TIN-LEAD	PH.BRONZE	1-160773-1
	2-160759-1	NICKEL PLATED	PH.BRONZE	1-160773-0
	1-160759-2	HOT DIP PRETIN.	PH.BRONZE	0-160773-7
	1-160759-1	HOT DIP PRETIN.	BRASS	0-160773-6
	160759-5	PRETINNED	PH.BRONZE	0-160773-5
	160759-4	TIN PLATED	PH.BRONZE	0-160773-4
	160759-3	TIN PLATED	BRASS	0-160773-3
	160759-2	UNPLATED	PH.BRONZE	0-160773-2
	160759-1	UNPLATED	BRASS	0-160773-1

WIRE SIZE	INS. RANGE
0,5-1,5 mm ²	2,3-3,3 mm dia

DIMENSIONS: mm 		TOLERANCES UNLESS OTHERWISE SPECIFIED: 0 PLC ± 1 PLC ± 2 PLC ±GENERAL 3 PLC ±TOLERANCE 4 PLC ±0,3 ANGLES ±30'		DWN J.LAZARO 02APR02 CHK J.LAZARO 02APR02 APVD - PRODUCT SPEC 108-3017 APPLICATION SPEC 114-2153 WEIGHT -		TE Connectivity NAME POSITIVE LOCK RECEPTACLE MKI LOOSE PIECE	
MATERIAL see table		FINISH see table		SIZE A3	CAGE CODE 00779	DRAWING NO C=160773	RESTRICTED TO -
CUSTOMER DRAWING						SCALE -	SHEET 1 OF 1 REV F2

Mouser Electronics

Authorized Distributor

Click to View Pricing, Inventory, Delivery & Lifecycle Information:

[TE Connectivity:](#)

[160773-6](#)