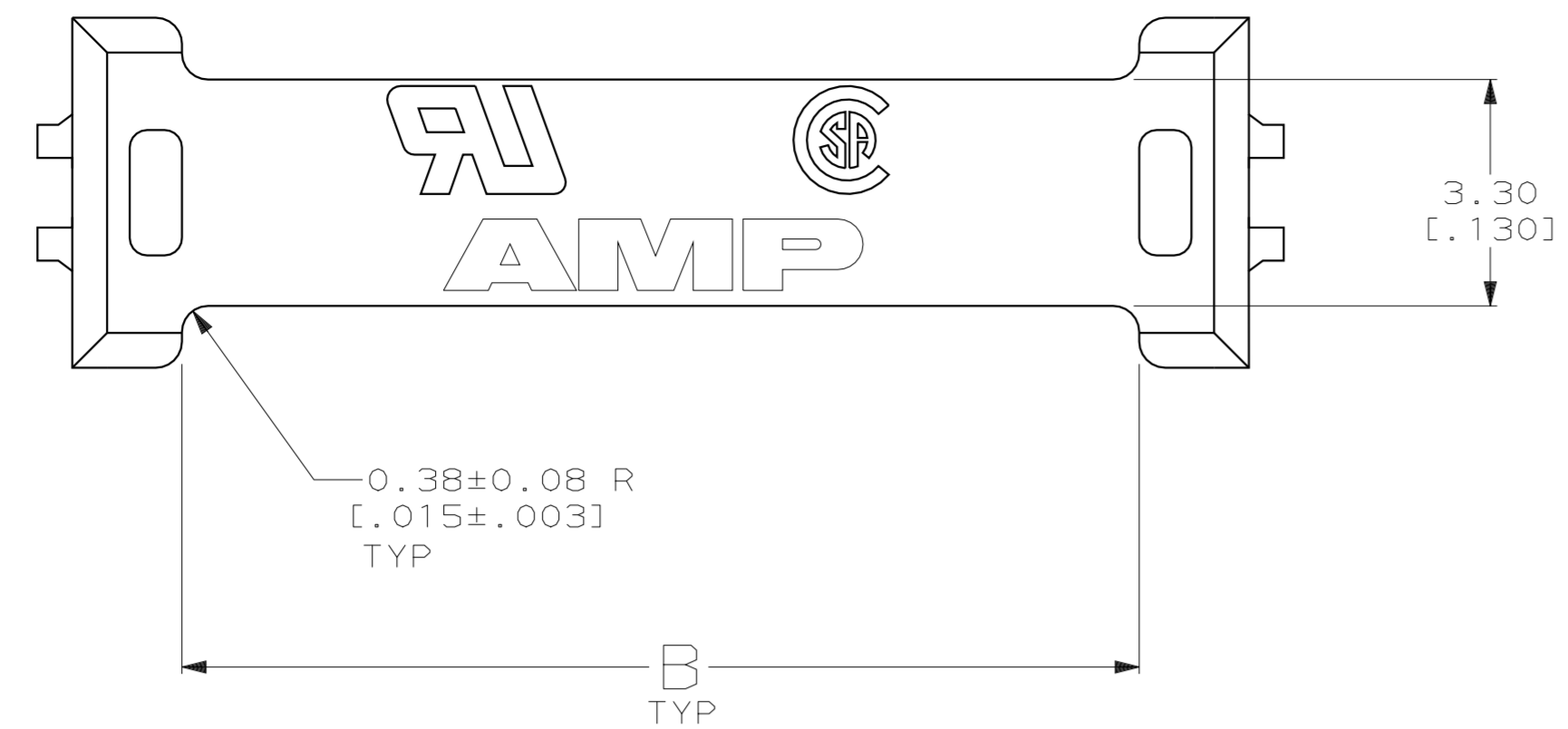
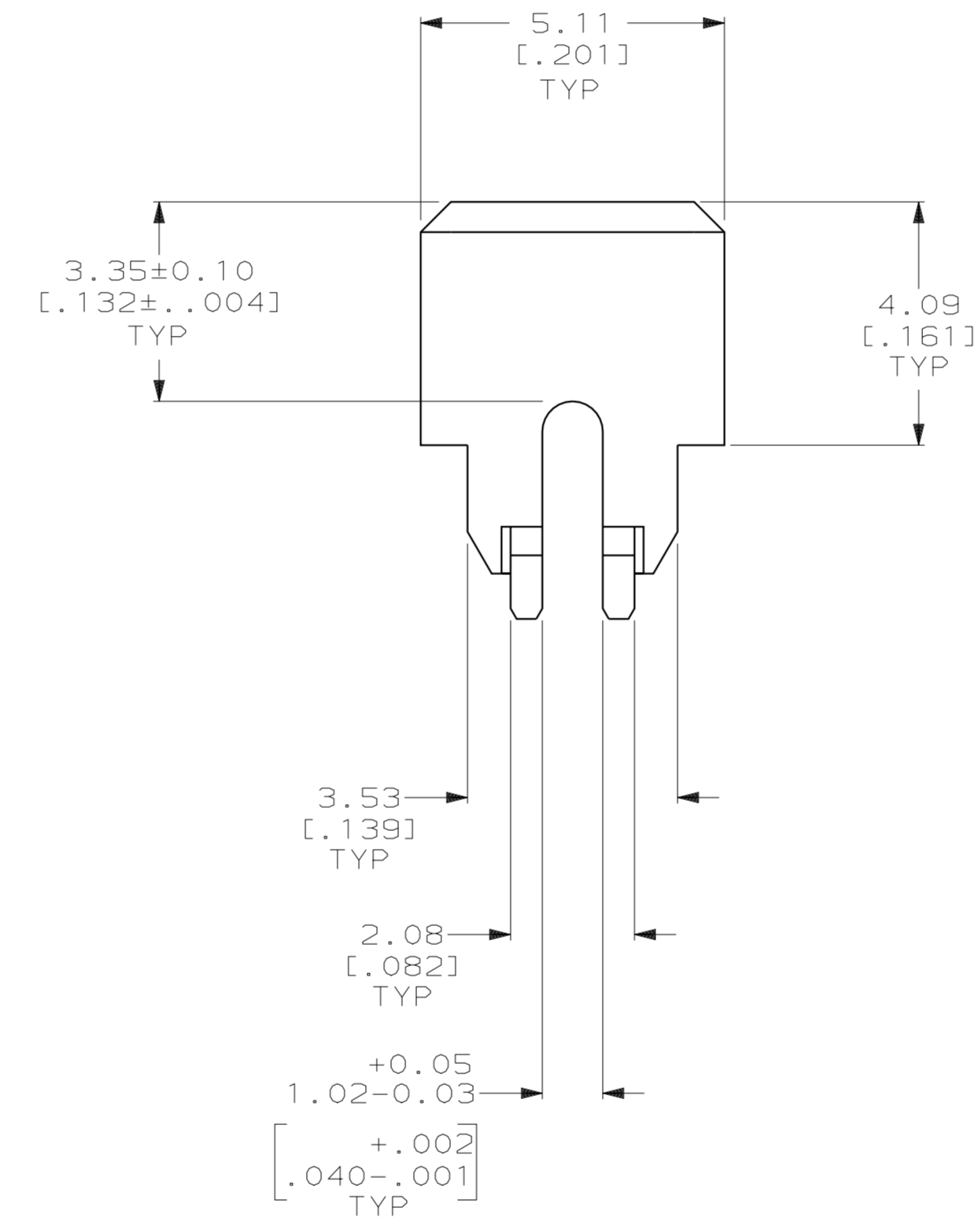
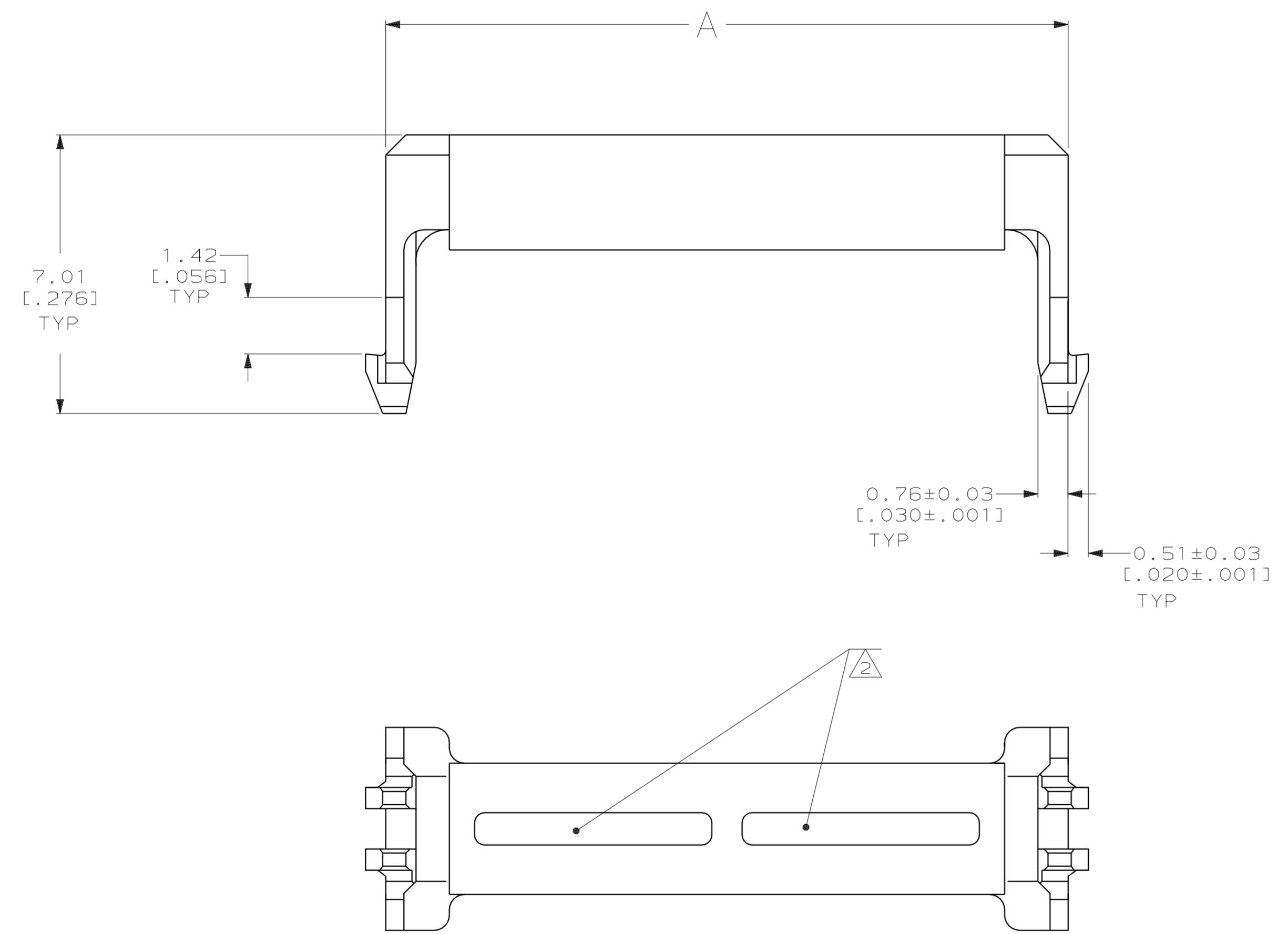


REVISIONS							
LOC	DIST	P	ZONE	LTR	DESCRIPTION	DATE	APPD
GP	00				K1 REVISED PER ECO 05-008301	11MAY06	JG



- 1 POLYESTER, BLACK, UL94 V-0.
- 2 CORING CONFIGURATION VARIES BY PART SIZE.
- 3. MAXIMUM ACCEPTABLE CABLE THICKNESS 0.97 [0.038].



11.94 [4.70]	15.14 [5.96]	12	1-111614-7
7.98 [3.14]	11.18 [4.40]	8	1-111614-6
21.97 [8.65]	25.17 [9.91]	22	1-111614-5
67.97 [2.676]	71.17 [2.802]	68	1-111614-4
63.96 [2.518]	67.18 [2.645]	64	1-111614-3
59.97 [2.361]	63.17 [2.487]	60	1-111614-2
49.96 [1.967]	53.16 [2.093]	50	1-111614-1
43.97 [1.731]	47.17 [1.857]	44	1-111614-0
39.98 [1.574]	43.18 [1.700]	40	111614-9
33.96 [1.337]	37.16 [1.463]	34	111614-8
29.97 [1.180]	33.17 [1.306]	30	111614-7
25.96 [1.022]	29.16 [1.148]	26	111614-6
23.98 [0.944]	27.18 [1.070]	24	111614-5
19.96 [0.786]	23.16 [0.912]	20	111614-4
15.98 [0.629]	19.18 [0.755]	16	111614-3
13.97 [0.550]	17.17 [0.676]	14	111614-2
9.96 [0.392]	13.16 [0.518]	10	111614-1
B	A	NO OF POSN	PART NO

MATERIAL		FINISH		WEIGHT		SIZE		CAGE CODE		DRAWING NO	
1		-		-		D		00779		111614	
-		-		-		SCALE		10:1		SHEET 1 OF 1	

AMP AMP Incorporated
 Harrisburg, PA 17105-3608

NAME
 STRAIN RELIEF, 2mm CL, AMP-LATCH

Mouser Electronics

Authorized Distributor

Click to View Pricing, Inventory, Delivery & Lifecycle Information:

[TE Connectivity:](#)

[1-111614-0](#)