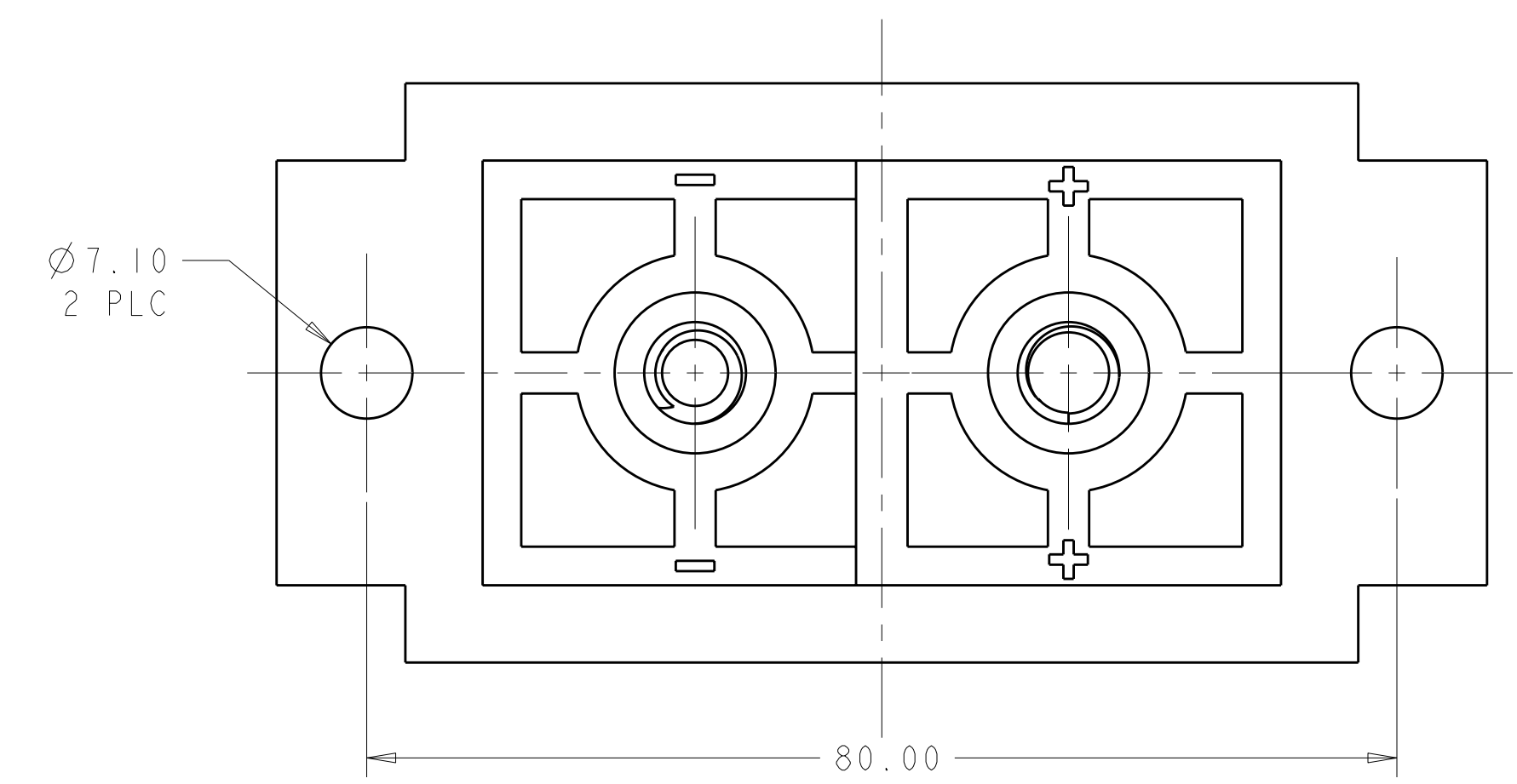
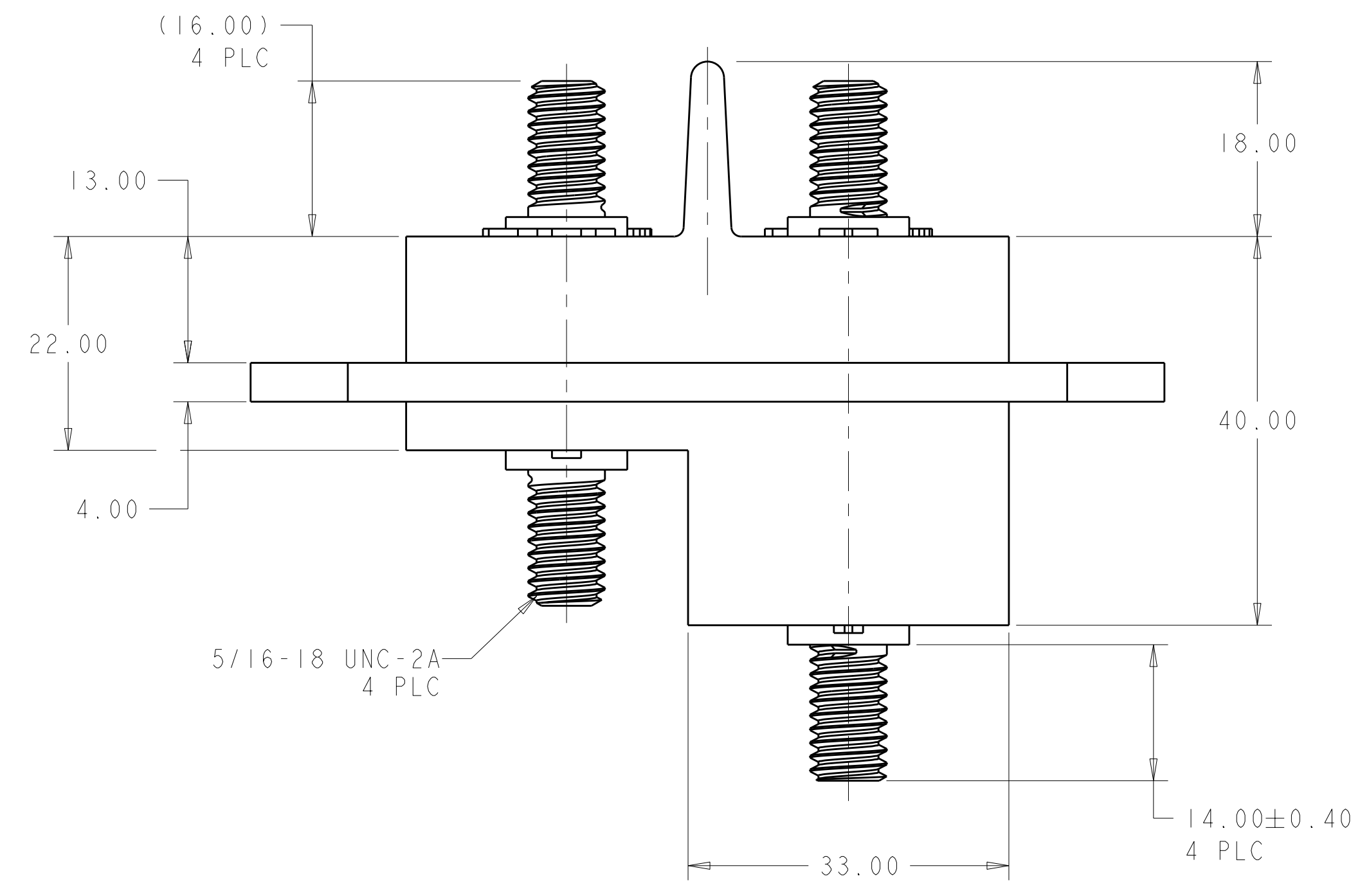
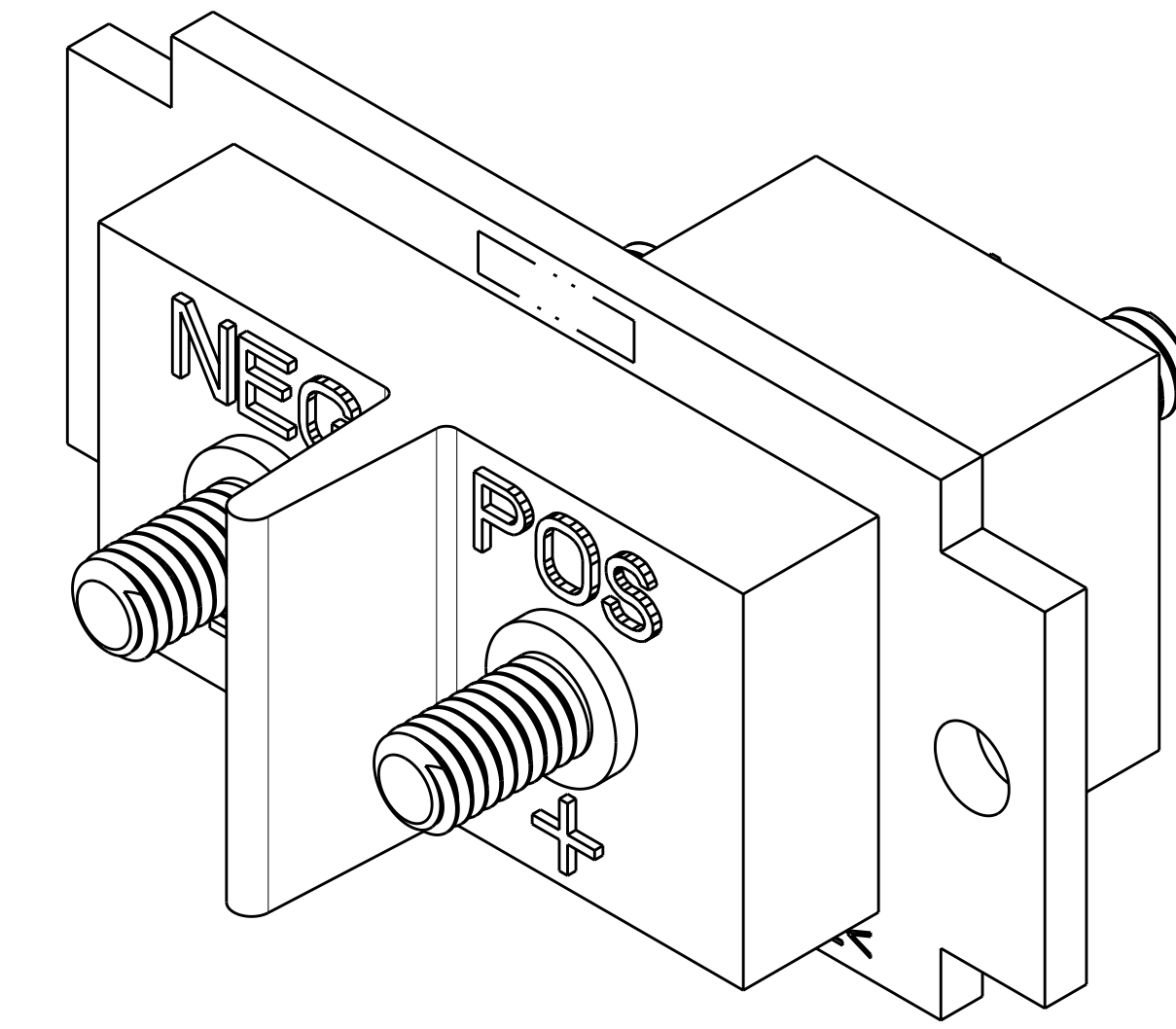
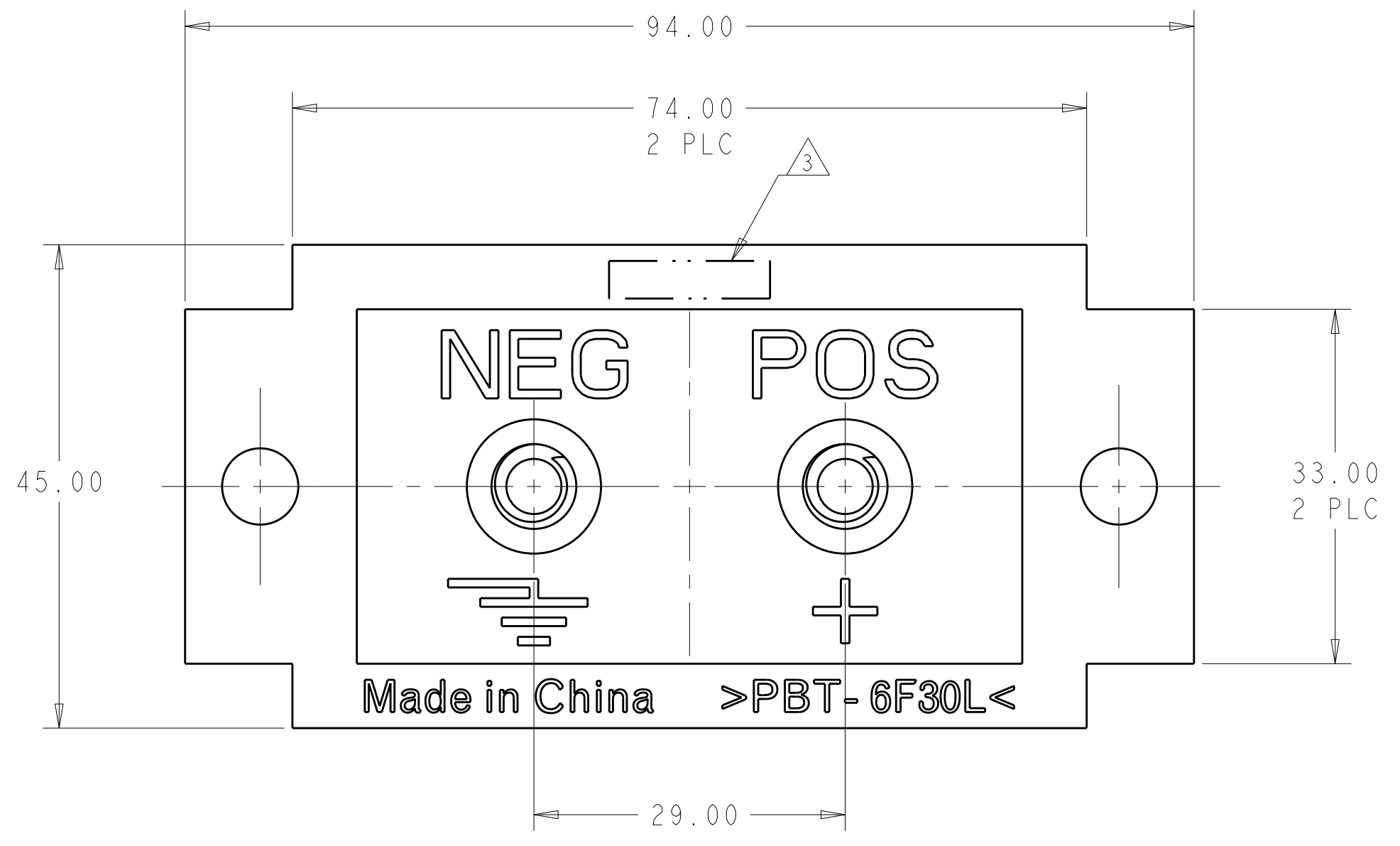


LOC	DIST	REVISIONS			
FT	0	REV	DATE	BY	APPD
		A2	11MAY2010	HMR	CR



- ⚠ MATERIAL: BLOCK - PBT
TERMINALS - BRASS
- 2 RECOMMENDED SCREW TORQUE 70 IN-LBS MAX.
- ⚠ TE LOGO LOCATED IN APPROXIMATE AREA SHOWN

1604797-1
 PART NUMBER

<small>THIS DRAWING IS UNPUBLISHED. RELEASED FOR PUBLICATION BY TYCO ELECTRONICS CORPORATION. ALL RIGHTS RESERVED. THIS IS SUBJECT TO CHANGE WITHOUT NOTICE AND WITHOUT OBLIGATION. SHOULD BE CONTACTED FOR THE LATEST REVISION.</small>		DWN: W.G. LENKER 16APR2003 CHK: N. PATEL 21AUG2003 APVD: S. YODER 13OCT2003	Tyco Electronics Harrisburg, PA 17105-3608
DIMENSIONS: mm 	TOLERANCES UNLESS OTHERWISE SPECIFIED: 0 PLC ± 1 PLC ± 2 PLC ±0.38 3 PLC ± 4 PLC ± ANGLES ±	NAME: ASSEMBLY, TERMINAL BLOCK PRODUCT SPEC: APPLICATION SPEC: WEIGHT: CUSTOMER DRAWING	SIZE: A1 CAGE CODE: 00779 DRAWING NO: C=1604797 RESTRICTED TO:
MATERIAL:		FINISH:	SCALE: 2:1 SHEET: 1 OF 1 REV: A2

Mouser Electronics

Authorized Distributor

Click to View Pricing, Inventory, Delivery & Lifecycle Information:

[TE Connectivity:](#)

[1604797-1](#)