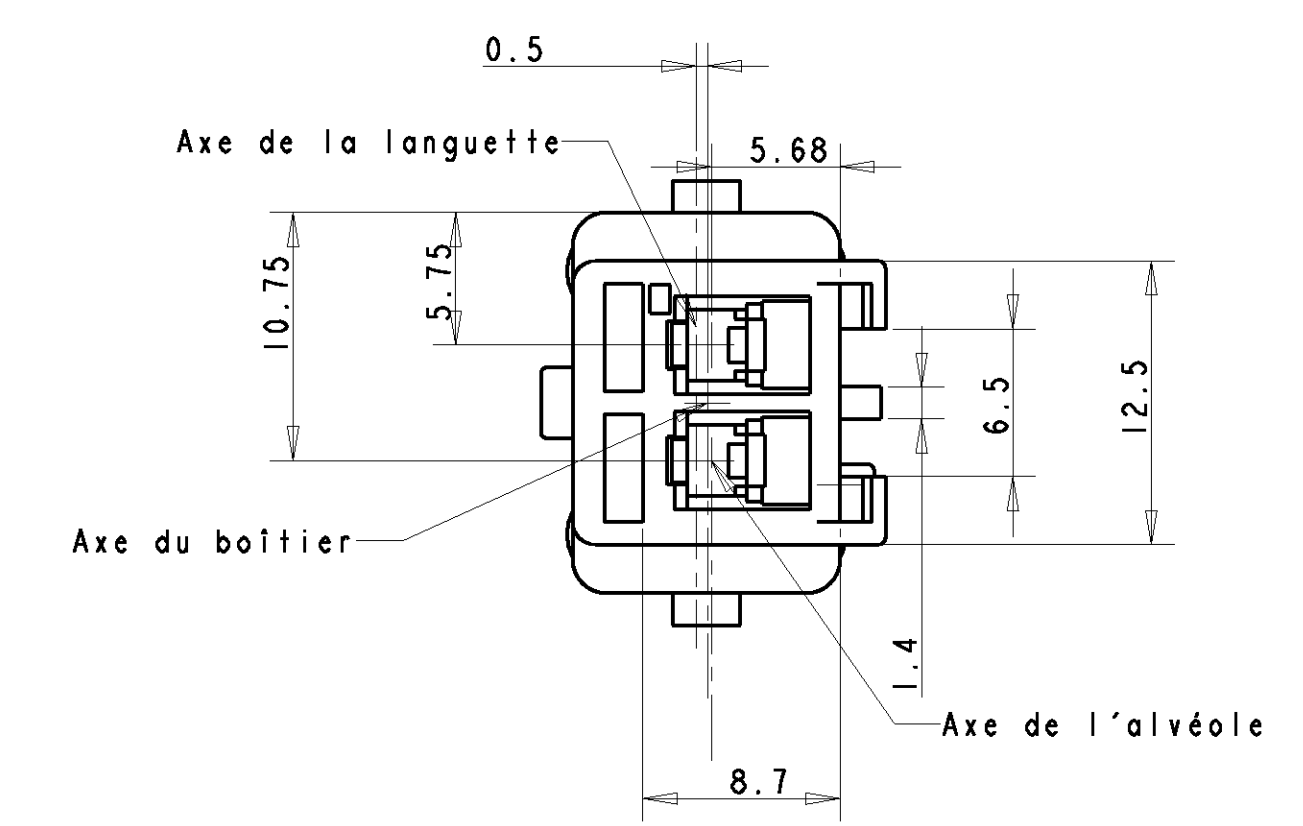
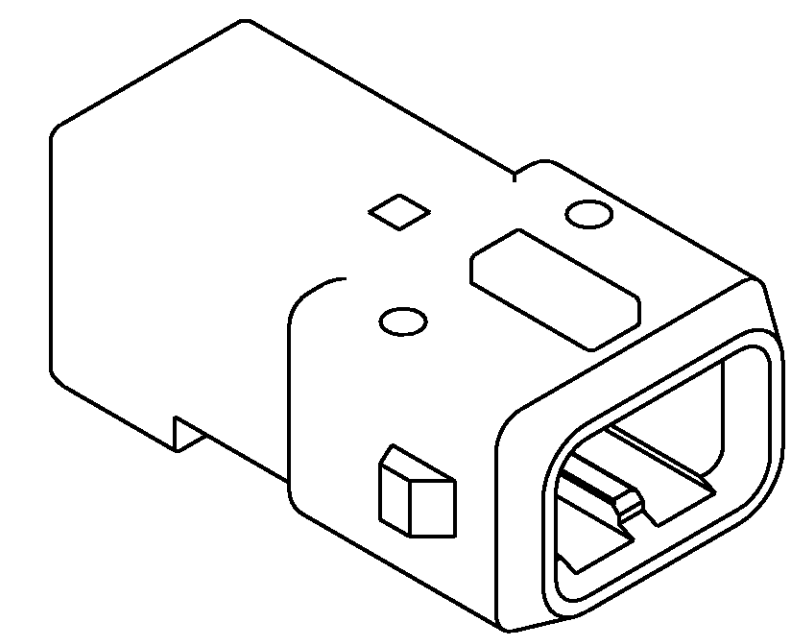
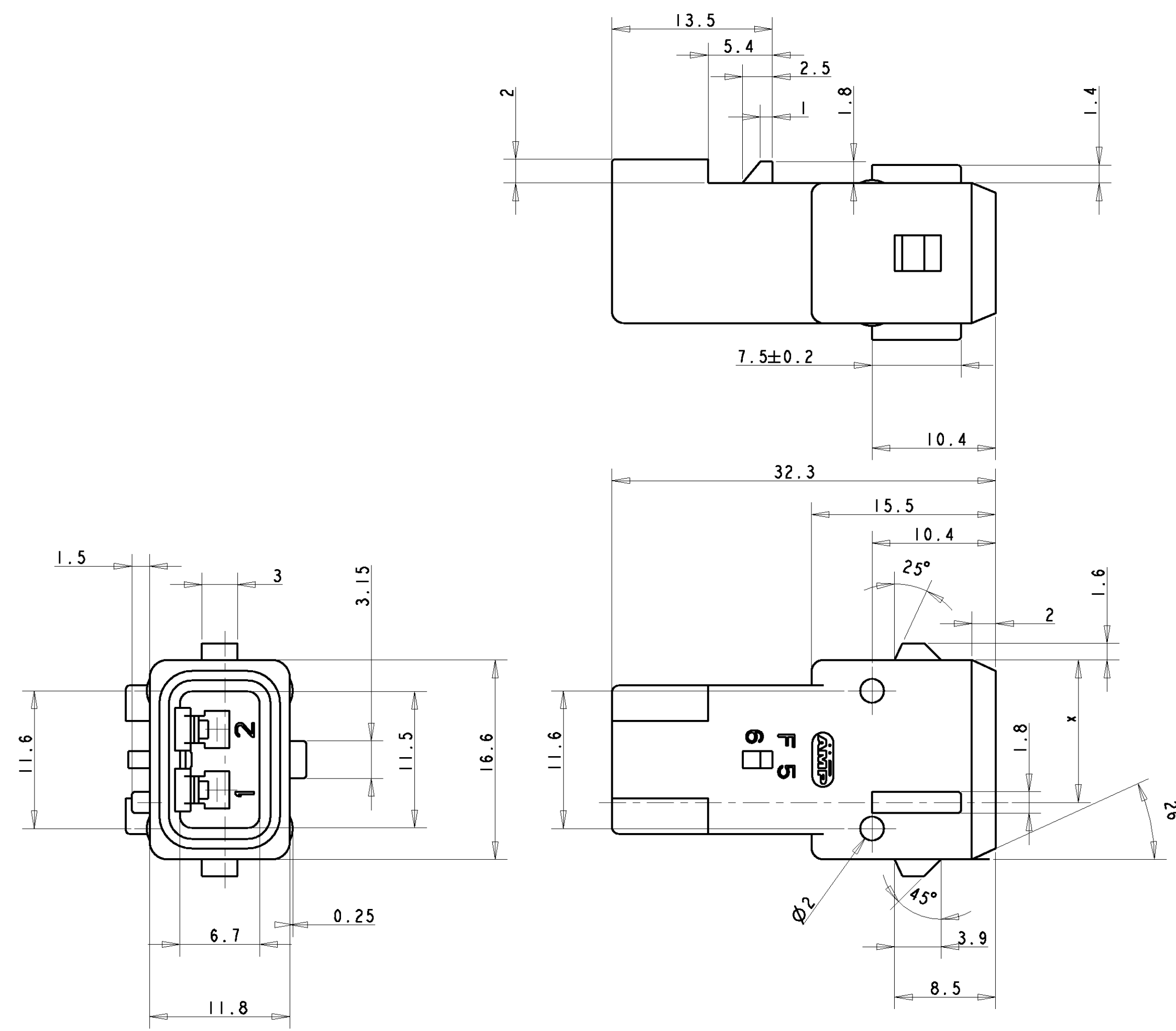


THIS DRAWING IS UNPUBLISHED. RELEASED FOR PUBLICATION 20  
 © COPYRIGHT BY ALL RIGHTS RESERVED.

LOC		DIST		REVISIONS			
P	LTR	DESCRIPTION	DATE	DWN	APVD		
F	00	D1	REVISED PER ECO-11-005150	27APR11	RK	HMR	



DETROMPAGE		
COULEUR	" X "	REFERENCE
NOIR	AUCUN DETROMPAGE	1-144545-0
MARRON	4.8	1-144545-1
ROUGE	13.8	1-144545-2
JAUNE	3	1-144545-4
VERT	6.6	1-144545-5
GRIS	8.4	1-144545-8
BLEU	10.2	1-144545-6
BLANC	12	1-144545-9
VIOLET	AUCUN DETROMPAGE	1-144545-7

REFERENCE REPRESENTEE: 1-144545-9

DIMENSIONS: mm 	TOLERANCES UNLESS OTHERWISE SPECIFIED: 0 PLC ± 1 PLC ±0.3 2 PLC ± 3 PLC ± 4 PLC ± ANGLES ±5° FINISH	DWN R PATIN 20-JUN-06	TE Connectivity
		CHK JP PICAUD 20-JUN-06	
MATERIAL PA 6.6 GF20		APVD J DAHER 20-JUN-06	SIZE A2
		PRODUCT SPEC -	CAGE CODE 00779
		APPLICATION SPEC -	DRAWING NO C-144545
		WEIGHT -	RESTRICTED TO -
		CUSTOMER DRAWING	SCALE 3:1
			SHEET 1
			REV D1

# Mouser Electronics

Authorized Distributor

Click to View Pricing, Inventory, Delivery & Lifecycle Information:

[TE Connectivity:](#)

[1-144545-0](#)