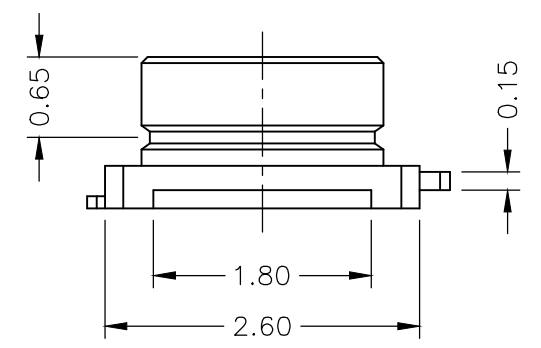
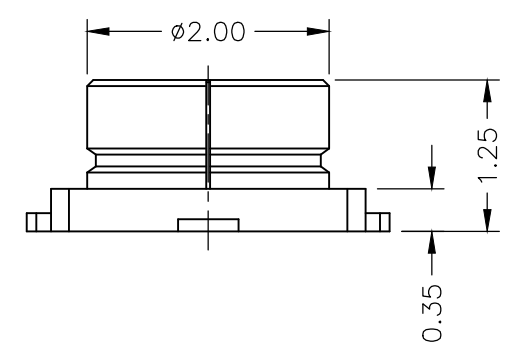
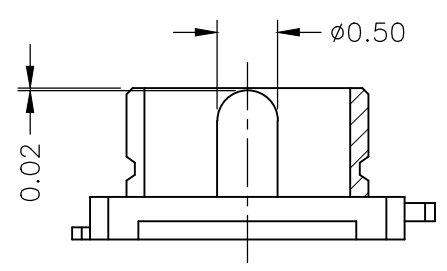
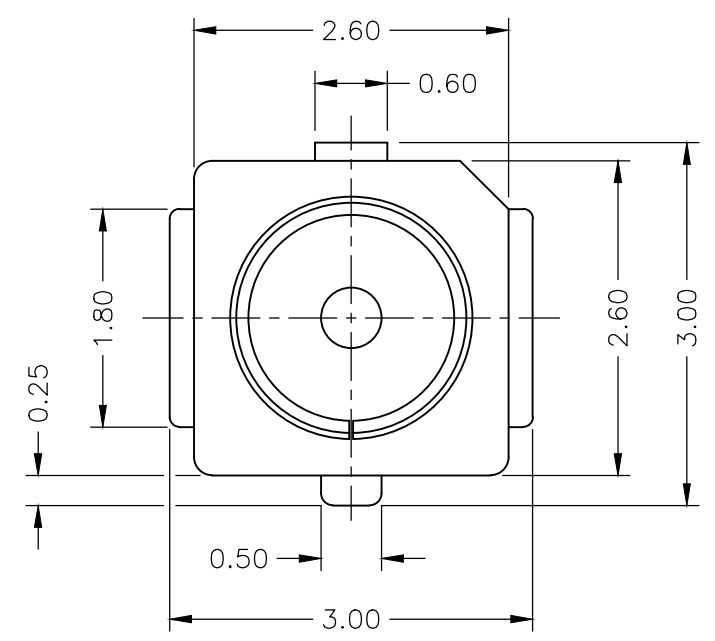


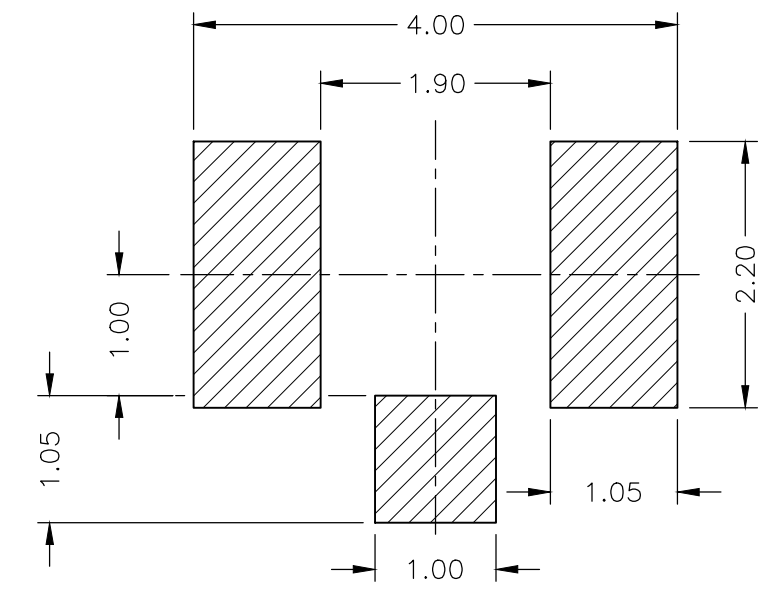
THIS DRAWING IS UNPUBLISHED. RELEASED FOR PUBLICATION
 © COPYRIGHT - By - ALL RIGHTS RESERVED.

LOC	DIST	REVISIONS					
AJ	00	P	LTR	DESCRIPTION	DATE	DWN	APVD
			B3	ECR-18-010179	29JUN2018	RZ	RS

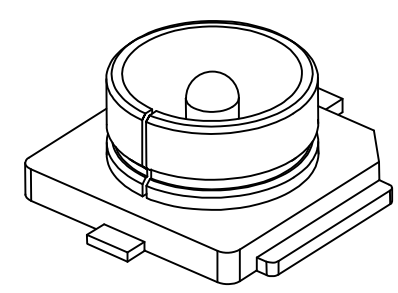
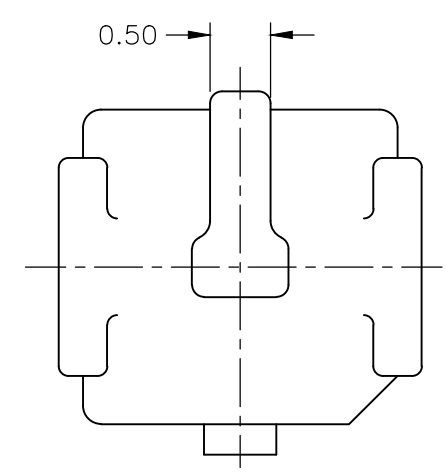


NOTES

- 1 PACKAGING: 5K/REEL x 6 = 30K PER BOX.
- 2 MATERIAL & FINNISH:
 - 2.1 CONTACT MATERIAL: COPPER ALLOY.
 - 2.2 INSULATOR: HIGH TEMPERATURE PLASTIC UL94V-0..
 - 2.3 CONTACT FINISH: GOLD 5U" ON MATING AREA,GOLD FLASH ON SOLDER TAILS, ALL OVER 50U" NICKEL(MIN.) UNDER PLATED.



RECOMMENDED PCB LAYOUT



1909763-1
PART NUMBER

Q'TY	U/M	DESCRIPTION	ITEM NO.
1	EA	GROUND PAD: METAL SHELL, GOLD PLATING	3
1	EA	CENTER PIN: CENTER CNT, GOLD PLATING	2
1	MM	HOUSING: OVER MOLD HOUSING, LCP,IVORY,UL94V-0	1

THIS DRAWING IS A CONTROLLED DOCUMENT.		DWN GARY GAO 16Aug2010		STE TE Connectivity	
DIMENSIONS: mm [INCHES]		CHK RITA ZUO 16Aug2010			
TOLERANCES UNLESS OTHERWISE SPECIFIED:		APVD JONGSENG GOH 16Aug2010		NAME	
0 PLC ± 0.5		PRODUCT SPEC		108-112005	
1 PLC ± 0.35		APPLICATION SPEC		MINI. RF HEADER	
2 PLC ± 0.25		SIZE		CAGE CODE	DRAWING NO
3 PLC ± 0.05		—		00779	C-1909763
4 PLC ± —		WEIGHT		RESTRICTED TO	
ANGLES ± 3°		—		—	
MATERIAL SEE NOTE		FINISH SEE NOTE		CUSTOMER DRAWING	
		SCALE 16:1		SHEET 1 OF 2	REV B3

4

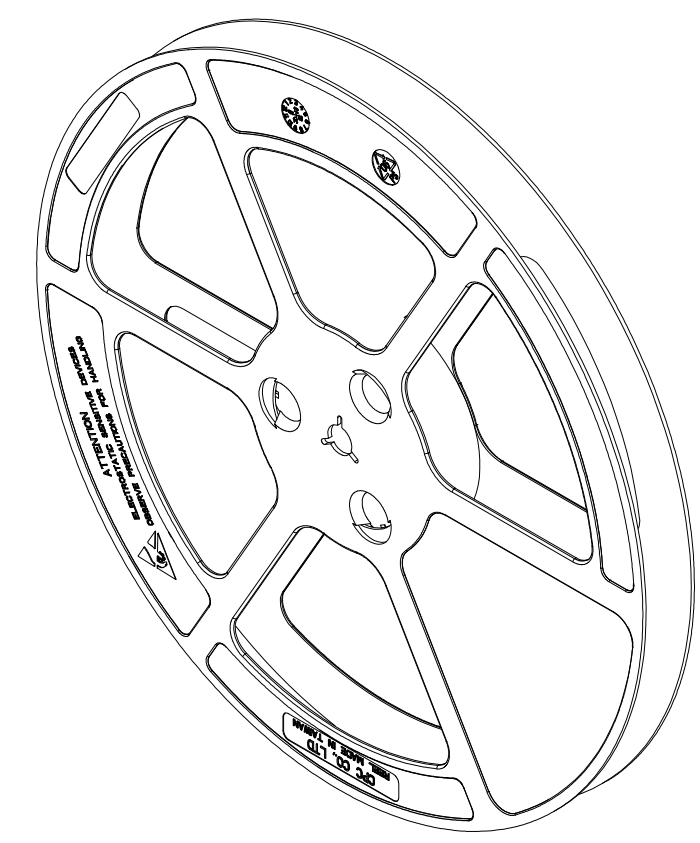
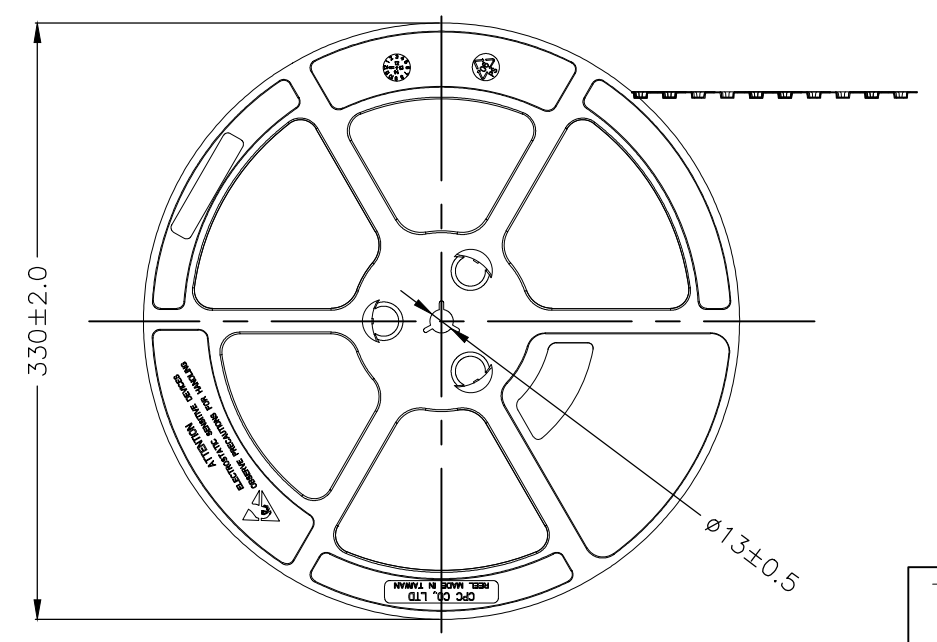
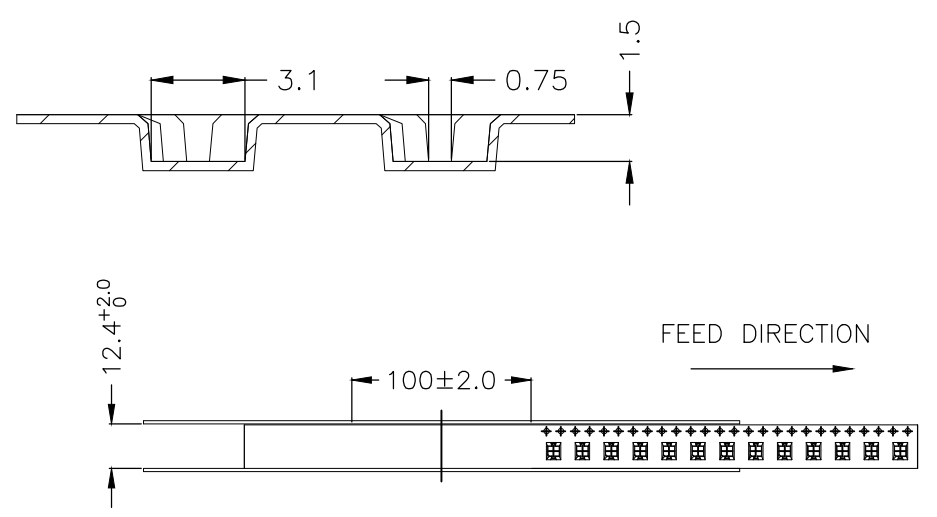
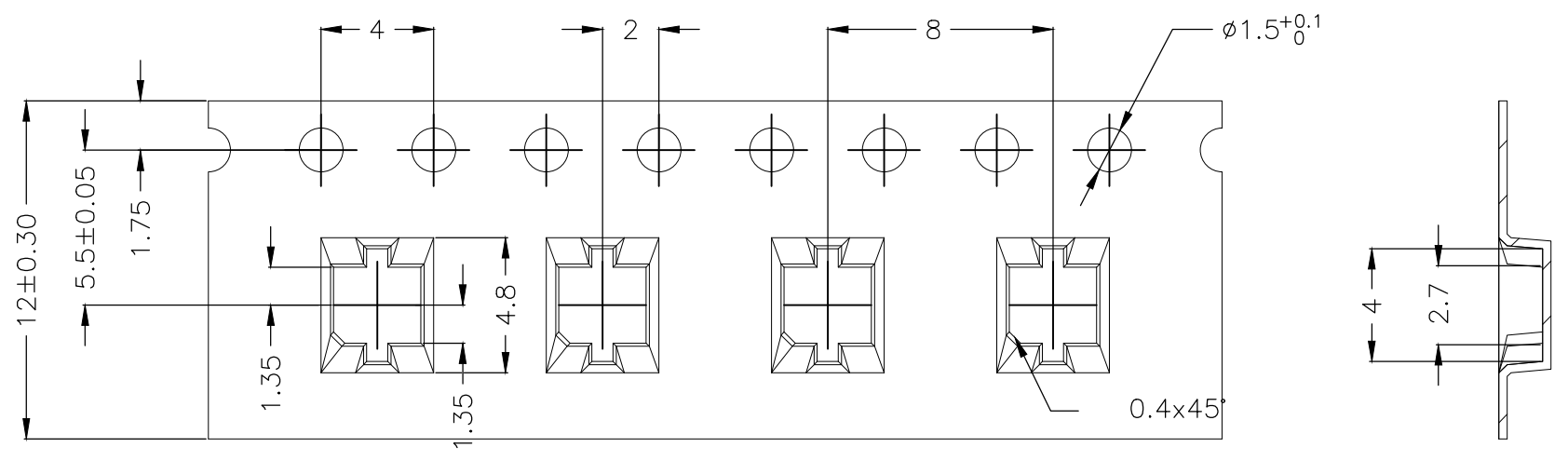
3

2

1

THIS DRAWING IS UNPUBLISHED. RELEASED FOR PUBLICATION
 © COPYRIGHT - By - ALL RIGHTS RESERVED.

LOC	DIST	REVISIONS					
AJ	00	P	LTR	DESCRIPTION	DATE	DWN	APVD
		-		SEE SHEET 1	-	-	-



THIS DRAWING IS A CONTROLLED DOCUMENT.		DWN GARY GAO 16Aug2010	STE TE Connectivity	
DIMENSIONS: mm [INCHES]		CHK RITA ZUO 16Aug2010		
TOLERANCES UNLESS OTHERWISE SPECIFIED:		APVD JONGSENG GOH 16Aug2010	NAME	
0 PLC ± 0.15		PRODUCT SPEC	MINI. RF HEADER	
1 PLC ± 0.10		108-112005		
2 PLC ± 0.10		APPLICATION SPEC		
3 PLC ± -		WEIGHT -	SIZE A3	CAGE CODE 00779
4 PLC ± -		CUSTOMER DRAWING	DRAWING NO C-1909763	RESTRICTED TO -
ANGLES ± 3°			SCALE NTS	SHEET 2 OF 2
MATERIAL SEE NOTE	FINISH SEE NOTE			REV B3

Mouser Electronics

Authorized Distributor

Click to View Pricing, Inventory, Delivery & Lifecycle Information:

[TE Connectivity:](#)

[1909763-1](#)