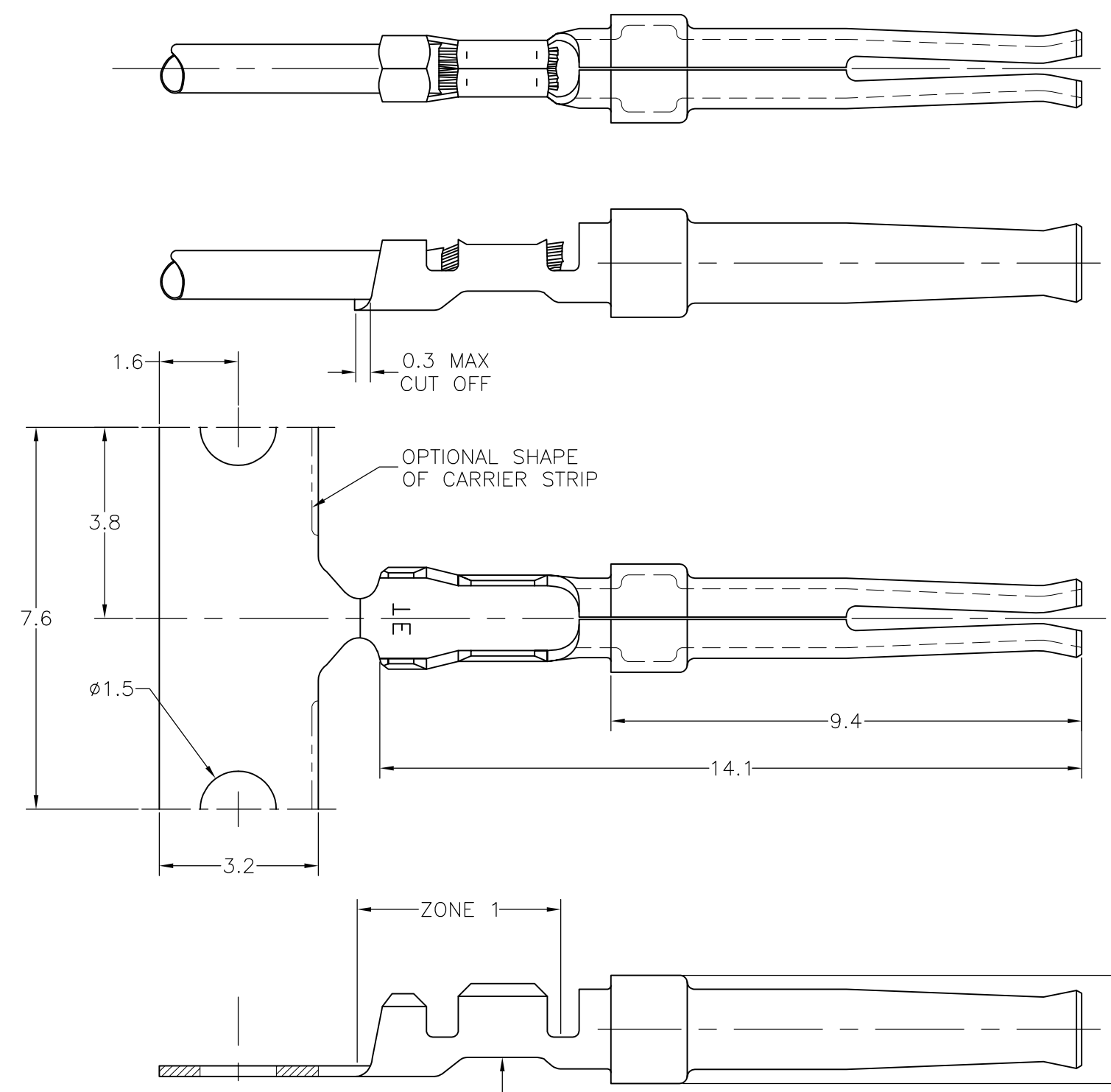


THIS DRAWING IS UNPUBLISHED. RELEASED FOR PUBLICATION  
 © COPYRIGHT - By - ALL RIGHTS RESERVED.

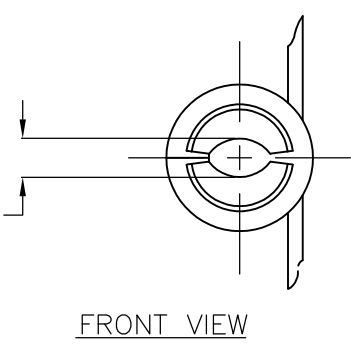
LOC	DIST	REVISIONS				
P	LTR	DESCRIPTION	DATE	DWN	APVD	
GP	00	T	REVISED PER ECO-11-020101	10APR2012	CJV	CWR

- NOTES:
- 1 FOR MINI-APPLICATOR-12500 PCS REEL.
  - 2 FOR REEL-FEED HAND TOOLING-500 PCS REEL.
  - 3 FOR HAND TOOLING- LOOSE PIECE.
  - 4. MATERIAL: PHOSPHORBRONZE.
  - 5 FINISH:
    - Ni UNDERPLATING ALL OVER.
    - CONTACT AREA PLATING MEETS IEC-807-3 PERFORMANCE LEVEL 2.
    - CRIMP ZONE Sn PLATED.



WIRE RANGE: 28-24 AWG(0,08-0,22mm<sup>2</sup>)  
 INSUL. RANGE: 0,76-1,02 DIA

BLUE COLOR CODE  
 (LOOSE-PIECE ONLY)



THIS DRAWING IS A CONTROLLED DOCUMENT.

DIMENSIONS: mm	TOLERANCES UNLESS OTHERWISE SPECIFIED:
	0 PLC ± -
	1 PLC ± 0,127
	2 PLC ± -
	3 PLC ± -
	4 PLC ± -
	ANGLES ± -
MATERIAL	FINISH
-	-

5	166292-1	5-166052-1	166052-1
FINISH	LOOSE PIECE 3	PART NUMBER 2	PART NUMBER 1
DWN -	09SEP08	TE Connectivity	
CHK K.MALCZYK	09SEP08		
APVD T.DE BOER	09SEP08	NAME	
PRODUCT SPEC	108-40005	SOCKET CONTACT, SIZE 20 DF.	
APPLICATION SPEC	114-10000	SIZE	RESTRICTED TO
WEIGHT -	A300779	CAGE CODE	CAGE CODE
CUSTOMER DRAWING	SCALE NTS	DRAWING NO	1 OF 1
		REV	T

# Mouser Electronics

Authorized Distributor

Click to View Pricing, Inventory, Delivery & Lifecycle Information:

[TE Connectivity:](#)

[166292-1](#)