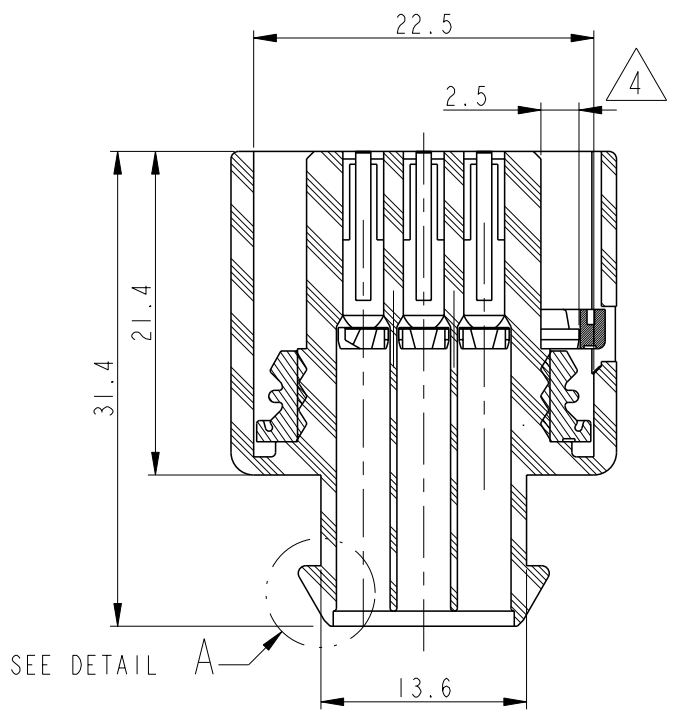
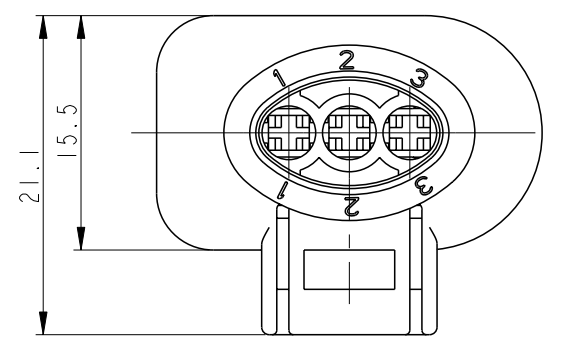
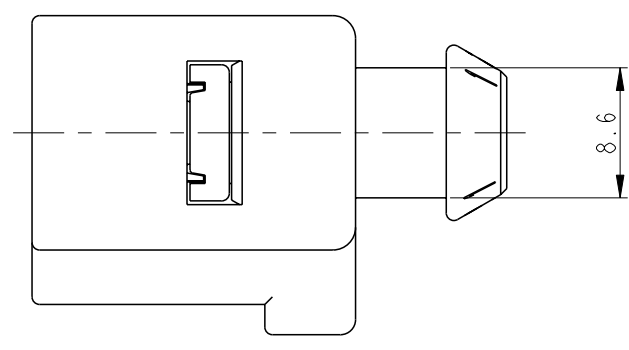
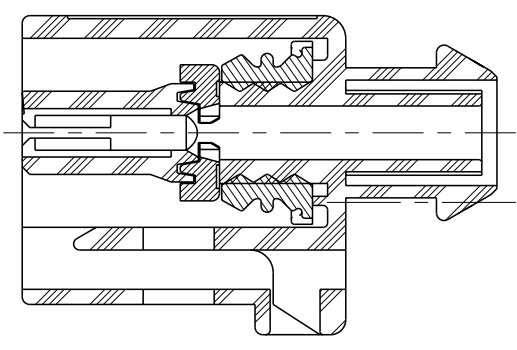
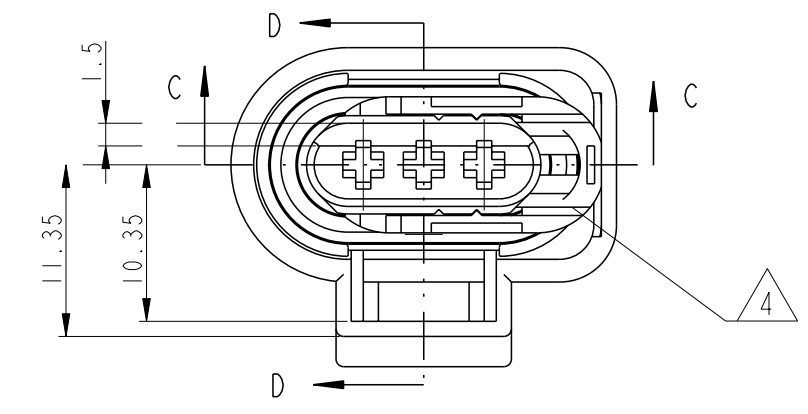
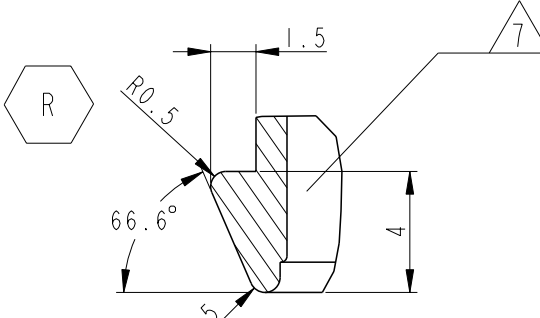
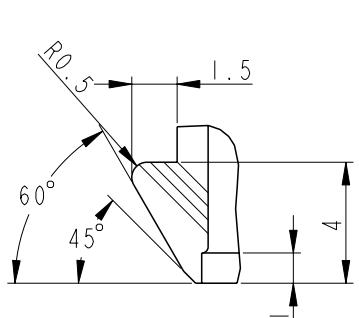


| LOC | | DIST | | REVISIONS | | | |
|-----|-----|---------------------------------------|-----------|-----------|------|--|--|
| P | LTR | DESCRIPTION | DATE | DWN | APVD | | |
| | O | NEW RELEASED | 20APR2006 | S.X | K.O | | |
| | R | CHANGE FEATURE AND MARK ECR-16-012797 | 23SEP2016 | C.N | I.Y | | |



SECTION D-D



DETAIL A
SCALE 4:1

DETAIL A
SCALE 4:1

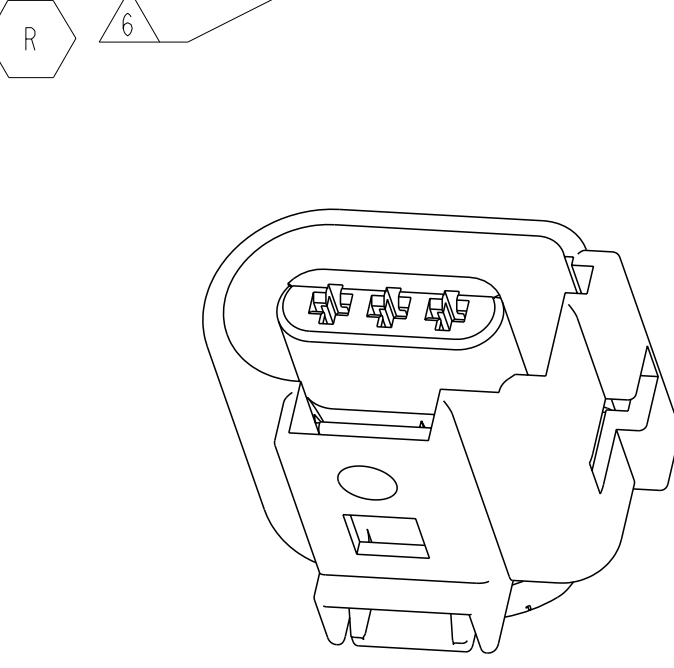
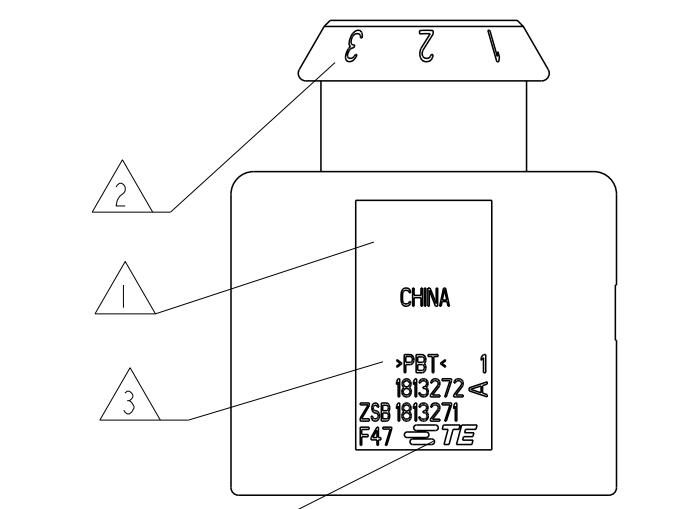
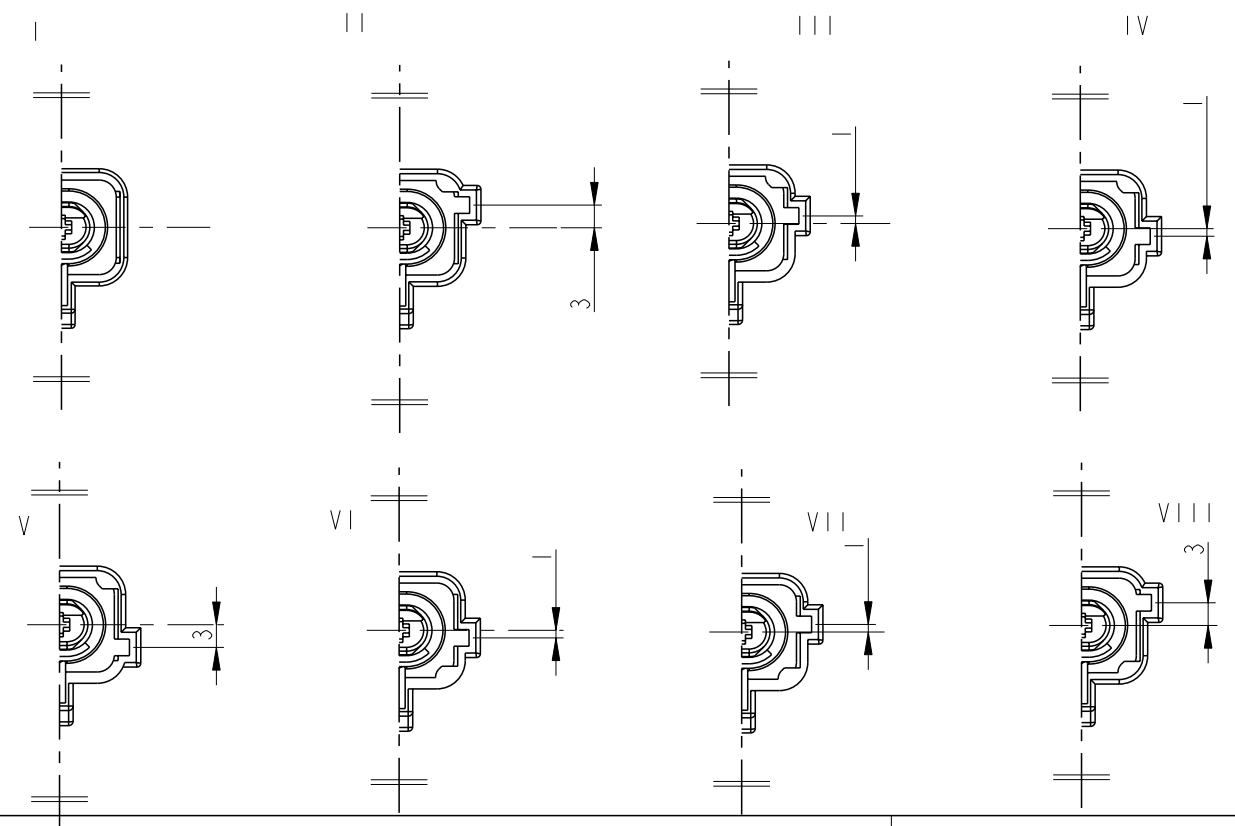
NOTES

- 1 AREA EXCHNGABLE
- 2 CONTACT CAVITY NUMBER: CHARACTERS 2.5 RECEDE 0.3
- 3 MATERIAL MARKING ACC. TO VDA 260
- 4 SHOWN AS SUPPLIED: RETAINER IN PRE-LOCKED POSITION.

5 BULK PACKAGED

- 6 TE LOGO DEVIATION FOR OLD MOLD
- 7 NEW SHAPE APPLIED FOE NEW MOLD AND MOLD REPLACEMENT

CODINGS



| CODING | ASSY NO | MATERIAL | COLOR FINISH | DESCRIPTION | Q'TY | ITEM NO |
|--------|-------------|----------|--------------|---------------------|------|---------|
| V III | 1-1813271-0 | MVQ | ORANGE | SEAL RING, 3 POSN | 1 | 3 |
| | | PBT GF10 | VIOLET | PLUG DBL PL, 3 POSN | 1 | 2 |
| V I | 1813271-9 | PBT | GREY | PLUG HSG, 3 POSN | 1 | 1 |
| | | MVQ | ORANGE | SEAL RING, 3 POSN | 1 | 3 |
| I V | 1813271-8 | PBT GF10 | VIOLET | PLUG DBL PL, 3 POSN | 1 | 2 |
| | | PBT | WHITE | PLUG HSG, 3 POSN | 1 | 1 |
| I V | 1813271-8 | MVQ | ORANGE | SEAL RING, 3 POSN | 1 | 3 |
| | | PBT GF10 | VIOLET | PLUG DBL PL, 3 POSN | 1 | 2 |
| III | 1813271-7 | PBT | ORANGE | PLUG HSG, 3 POSN | 1 | 1 |
| | | MVQ | ORANGE | SEAL RING, 3 POSN | 1 | 3 |
| III | 1813271-6 | PBT GF10 | VIOLET | PLUG DBL PL, 3 POSN | 1 | 2 |
| | | PBT | WHITE | PLUG HSG, 3 POSN | 1 | 1 |
| III | 1813271-6 | MVQ | ORANGE | SEAL RING, 3 POSN | 1 | 3 |
| | | PBT | GREEN | PLUG HSG, 3 POSN | 1 | 1 |
| III | 1813271-5 | MVQ | ORANGE | SEAL RING, 3 POSN | 1 | 3 |
| | | PBT GF10 | RED | PLUG DBL PL, 3 POSN | 1 | 2 |
| III | 1813271-5 | PBT | BLACK | PLUG HSG, 3 POSN | 1 | 1 |
| | | MVQ | ORANGE | SEAL RING, 3 POSN | 1 | 3 |
| II | 1813271-4 | PBT GF10 | VIOLET | PLUG DBL PL, 3 POSN | 1 | 2 |
| | | PBT | DARK BLUE | PLUG HSG, 3 POSN | 1 | 1 |
| II | 1813271-3 | MVQ | ORANGE | SEAL RING, 3 POSN | 1 | 3 |
| | | PBT GF10 | VIOLET | PLUG DBL PL, 3 POSN | 1 | 2 |
| II | 1813271-3 | PBT | BROWN | PLUG HSG, 3 POSN | 1 | 1 |
| | | MVQ | ORANGE | SEAL RING, 3 POSN | 1 | 3 |
| I | 1813271-2 | PBT GF10 | RED | PLUG DBL PL, 3 POSN | 1 | 2 |
| | | PBT | BLACK | PLUG HSG, 3 POSN | 1 | 1 |
| I | 1813271-1 | MVQ | ORANGE | SEAL RING, 3 POSN | 1 | 3 |
| | | PBT GF10 | VIOLET | PLUG DBL PL, 3 POSN | 1 | 2 |
| I | 1813271-1 | PBT | BLACK | PLUG HSG, 3 POSN | 1 | 1 |

THIS DRAWING IS A CONTROLLED DOCUMENT FOR TYCO ELECTRONICS CORPORATION. IT IS SUBJECT TO CHANGE AND THE CONTROLLING ENGINEERING ORGANIZATION SHOULD BE CONTACTED FOR THE LATEST REVISION.

| | | |
|------|---------|-----------|
| DWN | S. XUE | 20APR2006 |
| CHK | R. ZHOU | 20APR2006 |
| APVD | K. ODA | 20APR2006 |

PRODUCT SPEC: 108-18179-1
 APPLICATION SPEC: N/A

MATERIAL: S. TAB
 DIMENSIONS: mm
 TOLERANCES UNLESS OTHERWISE SPECIFIED: ±0.3

WEIGHT: 6.21g

Customer Drawing

tyco Electronics
 Tyco Electronics AMP
 Shanghai, China

NAME: PLUG HOUSING ASSEMBLY, 3 POSITION
 RADIAL SEALED MICRO TIMER II

SIZE: A2
 CAGE CODE: 00779
 DRAWING NO: C-1813271

RESTRICTED TO: -

SCALE: 2:1
 SHEET: 1 OF 1
 REV: R

Mouser Electronics

Authorized Distributor

Click to View Pricing, Inventory, Delivery & Lifecycle Information:

[TE Connectivity:](#)

[1813271-1](#)