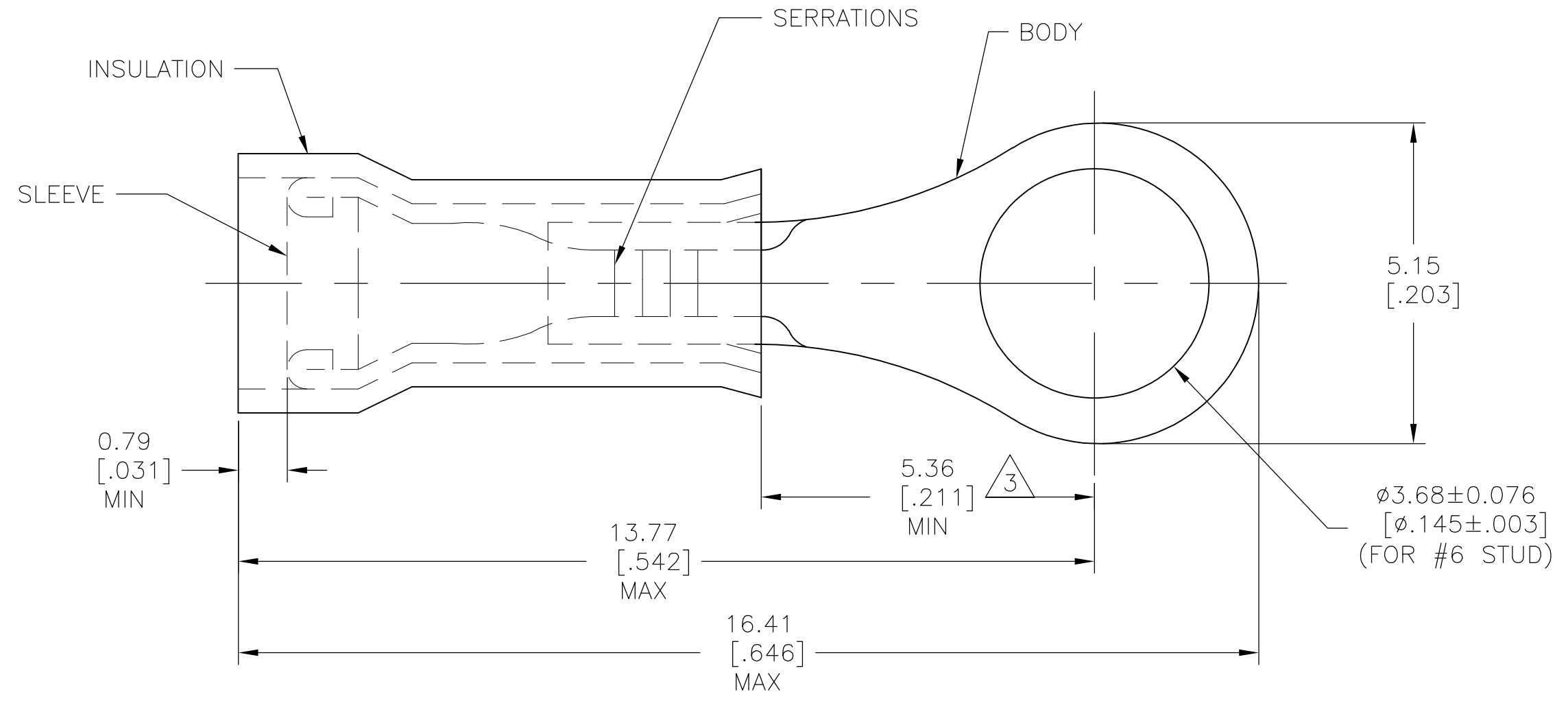


THIS DRAWING IS UNPUBLISHED. RELEASED FOR PUBLICATION  
 © COPYRIGHT - By - ALL RIGHTS RESERVED.

LOC	DIST	REVISIONS					
G	14	P	LTR	DESCRIPTION	DATE	DWN	APVD
			K2	REVISED PER ECO-11-004917	11MAR11	RK	HMR



1 FOR 1.27[.050] TO 2.08[.082] WIRE INSULATION DIA

2 TONGUE MATERIAL THK 0.46±0.05[.018±.002]

3 APPLIES FROM EDGE OF METAL BARREL TO CENTERLINE OF STUD HOLE.

-	100	LOOSE PC, BOX	BODY: COPPER ASTM-B152 TIN PL ASTM-B545	8-323915-1
-	4000	ON TAPE, REEL	SLEEVE: COPPER ASTM-B152 TIN PL ASTM-B545	2-323915-2
2-323915-2	1	WIRE TERMINAL	INSULATION: NYLON ASTM-D4066 COLOR: YELLOW, TYPE I	323915
PART NO ON TAPE	QTY	DESCRIPTION	MATERIAL & FINISH	PART NO

THIS DRAWING IS A CONTROLLED DOCUMENT.		DWN RAGHAVENDRA 18MAR10	<b>STE</b> TE Connectivity				
DIMENSIONS: mm [INCHES]		CHK JEFF RUTH 18MAR10					
TOLERANCES UNLESS OTHERWISE SPECIFIED:		APVD TOM MICHIELUTTI 18MAR10	NAME				
0 PLC ± -		PRODUCT SPEC	WIRE TERMINAL				
1 PLC ± -		APPLICATION SPEC	PIDG - RING TONGUE				
2 PLC ± -		WEIGHT -	WIRE SIZE: 26-22				
3 PLC ± 0.20[.008]		MATERIAL SEE TABLE	SIZE	CAGE CODE	DRAWING NO	RESTRICTED TO	
4 PLC ± -			A3	00779	C-323915	-	
ANGLES ± 0° 30'		FINISH SEE TABLE	CUSTOMER DRAWING		SCALE 12:1	SHEET 1 OF 1	REV K2

# Mouser Electronics

Authorized Distributor

Click to View Pricing, Inventory, Delivery & Lifecycle Information:

[TE Connectivity:](#)

[2-323915-2](#)