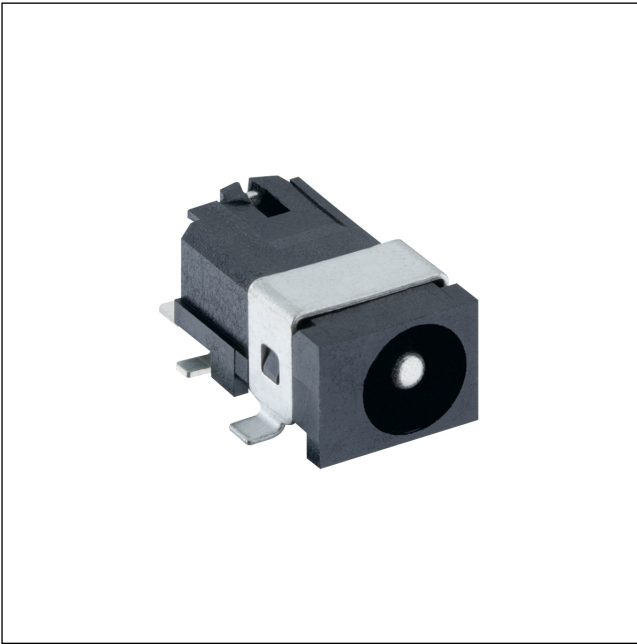


16

1613 24

Power supply connectors

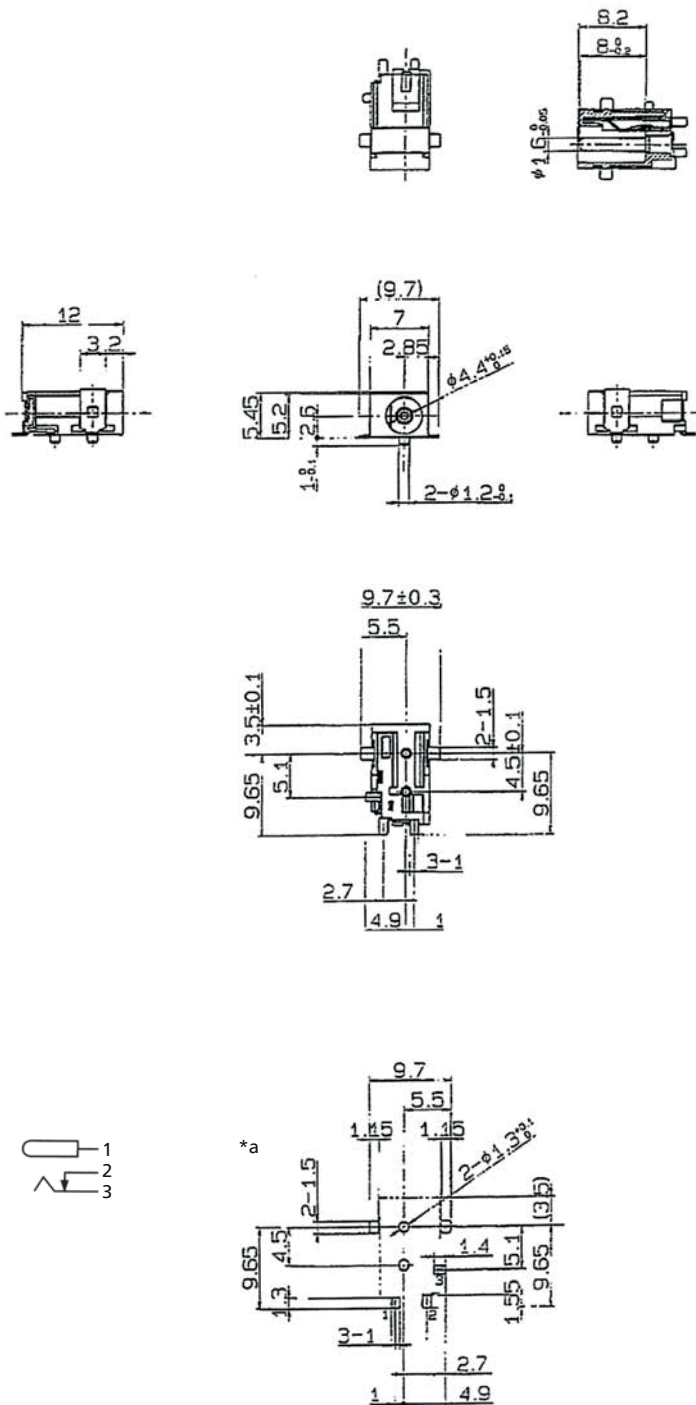


Power supply chassis socket acc. to JEITA RC-5322 JSAJ21, angular version, with break contact, for printed circuit boards, surface mounting technology (SMT)

State: Active

16

1613 24



Environmental conditions

Temperature range -20 °C/+70 °C

Materials

Insulating body PA
Contact CuZn, silver-plated/tin-plated

Mechanical data

Diameter opening 4,4 mm
Diameter center pin 1,6 mm
Mating cycles ≥ 5000
Insertion force 5–20 N
Withdrawal force 5–20 N

Electrical data (at T_{amb} 20 °C)

Contact resistance ≤ 30 m Ω
Rated current 2 A
Rated voltage 6,3 V DC
Rated impulse voltage 500 V/60 s
Insulation resistance ≥ 100 M Ω

Associated products

Counterparts
☑ 1636 02

16

1613 24

*a printed circuit board layout, components side view

16

1613 24

Designation	Pole Number	PU (Pieces)	MDQ (Pieces)
1613 24 VP3	2	900	900

Packaging:

on reel