

# Double-pole Rocker Switch

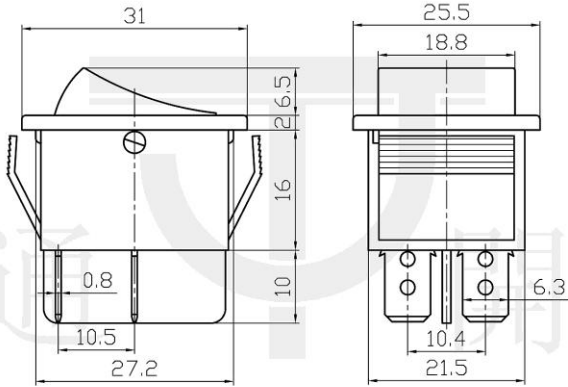
**Q-1062**

TYPE: **RS-201-1C**

## SPECIFICATIONS

Contact Type: DPST  
Rating: 15A 250V AC  
Contact R: 35mΩ max  
Insulation R: 500V DC 100MΩ min  
Dielectric Strength: 1 Minute 1500V AC  
Operating Temperature: -25°C ~ +85°C  
Electrical Life: 10, 000 Cycles

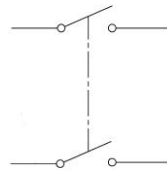
Outline Drawing



Mounting



Circuitry



**ON - OFF**