

6

5

4

3

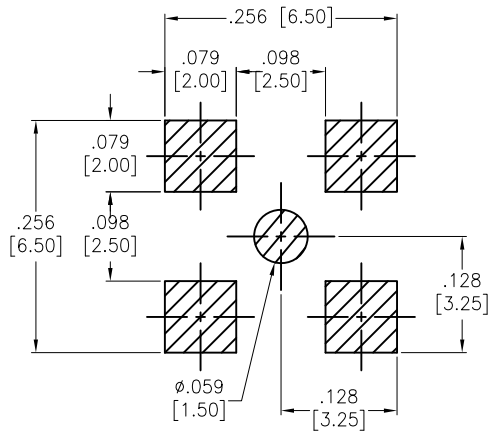
2

1

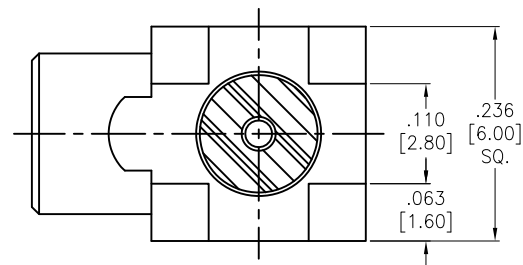
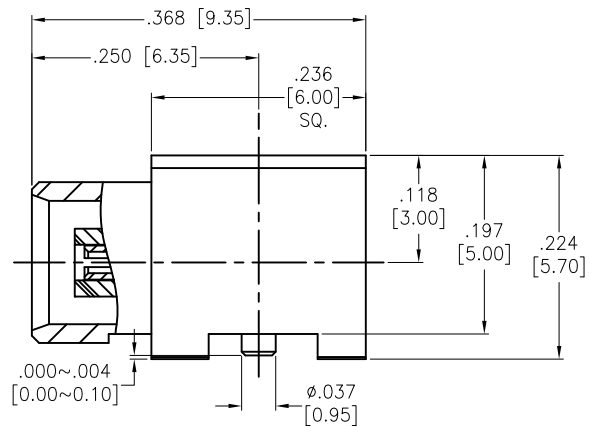
APPROVED: _____

DATE: _____ TITLE: _____

Rev	AWO #	Description	Date	Appr
-		RELEASED	10/31/17	



RECOMMENDED PCB LAYOUT



CENTER PIN	Beryllium Copper	GOLD
PRESS WASHER	BRASS	GOLD
INSULATOR	TEFLON	
BODY	BRASS	GOLD
DESCRIPTION	MATERIAL	FINISH

SPECIFICATIONS:

Electrical:
 Nominal Impedance: 50 ohms
 Environmental:
 Lead free, RoHS Compliant



UNLESS OTHERWISE SPECIFIED
 ALL DIMENSIONS ARE INCHES [MM]
 TOLERANCES: EXCEPT AS NOTED
 INCHES HOLES
 .X ± .10 Ø.X ± .10
 .XX ± .020 Ø.XX ± .015
 .XXX ± .015 Ø.XXX ± .010

ADAM TECH

909 Rahway Avenue, Union, NJ 07083
 Phone: 908-687-5000 Fax: 908-687-5710

APPROVALS		DATE
DRAWN	HR	10/31/17
CHECKED	DH	10/31/17
APPROVED		

TITLE		
MCX JACK, RIGHT ANGLE ,PCB MOUNT		
SIZE	PART NO.	REV.
X	RF11-27A-T-00-50-G	-
REF: S00291T	SCALE: NTS	SHEET 1 OF 1

6

5

4

3

2

1