

TLE 4309 G

Power LED Driver

Adjustable Constant Current Source



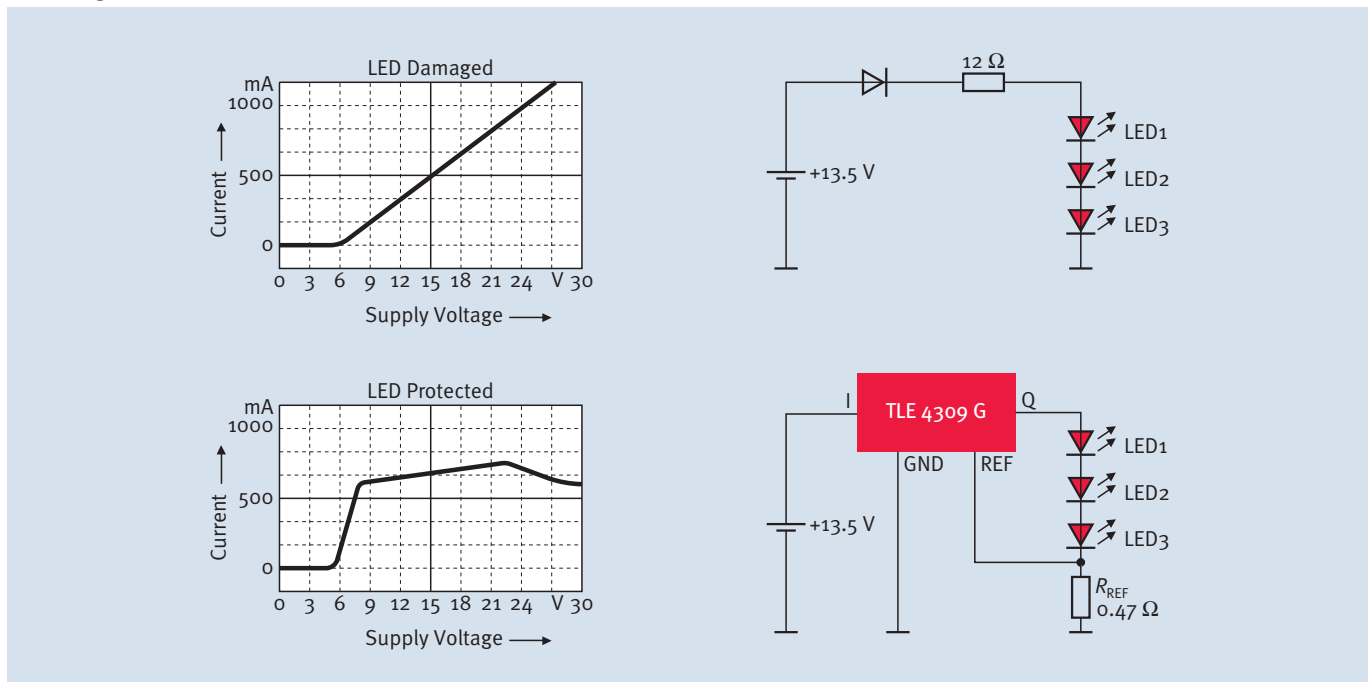
THE TLE 4309 G drives LEDs with constant current resulting in constant brightness and extended lifetimes. The TLE 4309 G is fully capable to withstand harsh requirements due to its internal protection circuits against overload, short circuit and reverse polarity.

A Chip temperature monitoring circuit shuts off the circuit and prevents the IC from destruction or damage due to over temperature.

With the PWM input the LED brightness can be regulated via duty cycle. Also PWM = Low sets the TLE 4309 G in sleep mode resulting in a very low current consumption of $< 1 \mu\text{A}$ typ. Due to the high impedance of the PWM input the PWM pin can thus also be used as an enable input.



Advantage of LED Driver vs. Resistor



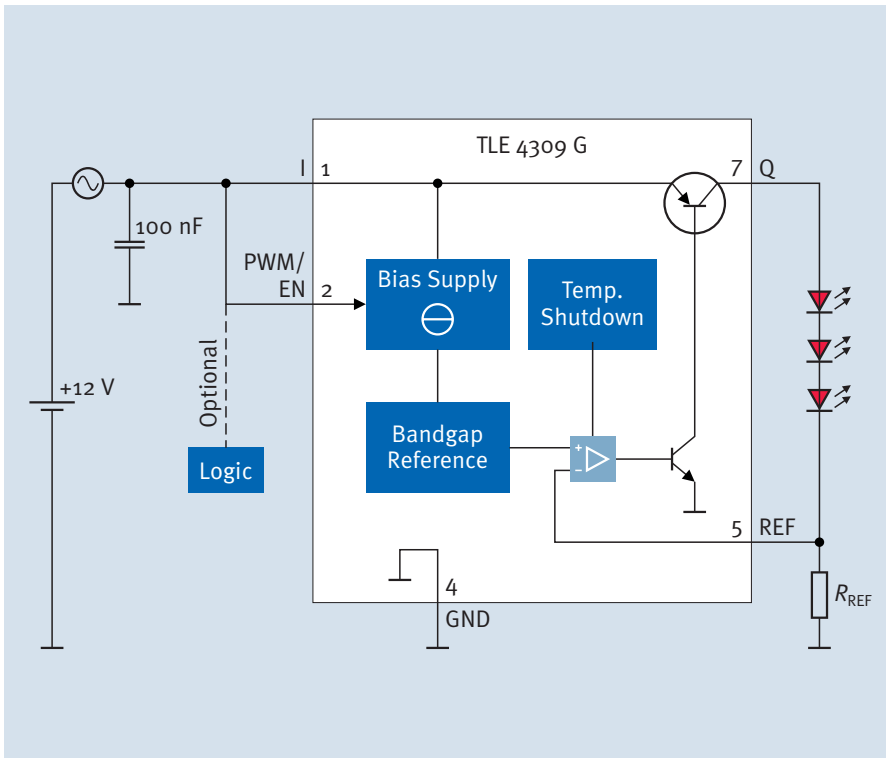
www.infineon.com/LED-Drivers

Power Semiconductors



Never stop thinking

TLE 4309 G Block Diagram



Features

- Adjustable Constant Current: up to 500 mA
- Pulse width modulation input (PWM) for brightness control
- 1 μ A current consumption in sleep mode
- Fully Suitable for use in automotive and industrial applications
 - Over-Temperature Protection
 - Reverse Polarity Proof
- Operating Input Voltage Range from 4.5 V up to 24 V
- Short circuit Protection to GND and V_{CC}
- Low Drop Voltage: Full brightness at low battery voltage
- Temperature Range -40°C to 150°C
- Power Package PG-T0263-7



Industrial Applications for LED Driver

- Traffic Lights
- Street marker lights
- Displays
- General Lighting
- LED signage

How to reach us:
<http://www.infineon.com>

Published by
 Infineon Technologies AG
 81726 Munich, Germany

© 2007 Infineon Technologies AG
 All Rights Reserved.

Legal Disclaimer

The information given in this Product Brief shall in no event be regarded as a guarantee of conditions or characteristics. With respect to any examples or hints given herein, any typical values stated herein and/or any information regarding the application of the device, Infineon Technologies hereby disclaims any and all warranties and liabilities of any kind, including without limitation, warranties of non-infringement of intellectual property rights of any third party.

Information

For further information on technology, delivery terms and conditions and prices, please contact the nearest Infineon Technologies Office (www.infineon.com).

Warnings

Due to technical requirements, components may contain dangerous substances. For information on the types in question, please contact the nearest Infineon Technologies Office.

Infineon Technologies components may be used in life-support devices or systems only with the express written approval of Infineon Technologies, if a failure of such components can reasonably be expected to cause the failure of that life-support device or system or to affect the safety or effectiveness of that device or system. Life support devices or systems are intended to be implanted in the human body or to support and/or maintain and sustain and/or protect human life. If they fail, it is reasonable to assume that the health of the user or other persons may be endangered.