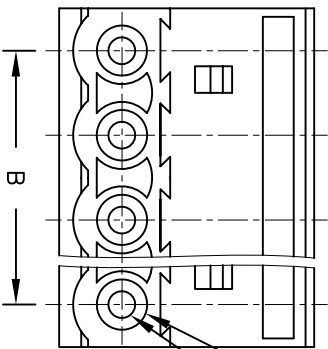
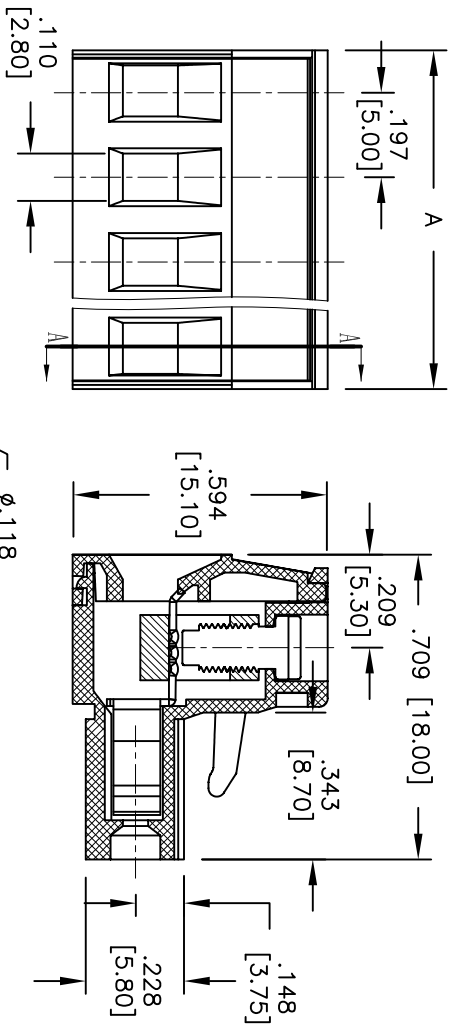


Rev	AWO #	Description	Date	Appr
-		RELEASED	8/2/13	

APPROVED: _____
 DATE: _____ TITLE: _____



Poles: 2 thru 24
 A = .197 [5.00] x No. of Poles
 B = .197 [5.00] x No. of (Poles - 1)

SPECIFICATIONS:

- Material: Insulator: PA66, rated UL 94V-0
- Insulator color: Green
- Wire guard: Brass, Tin plated
- Screw: Steel, M3.0/Zinc plated
- Clamp: Phosphor Bronze, Nickel plated
- Electrical: Voltage rated: 300 VAC
- Current rated: 15 Amps
- Contact resistance: 20 mΩ
- Insulation resistance: 500 MΩ @ 500 VDC
- Withstanding voltage: 2000V AC/1 Min
- Mechanical: Solid wire: 28-14AWG 2.5mm²
- Torque (Lb-in): 0.5Nm (4.5lb-in)
- Strip length: 7-8mm
- Temperature Rating: Operating temperature: -40°C to +105°C
- Environmental: Lead free, RoHS compliant.

UNLESS OTHERWISE SPECIFIED
 ALL DIMENSIONS ARE INCHES [MM]
 TOLERANCES: EXCEPT AS NOTED
 INCHES Holes

.X	± .10	ØX	± .10
.XX	± .020	ØXXX	± .015
.XXX	± .015	ØXXX	± .010

ADAM TECH
 909 Railway Avenue, Union, NJ 07083
 Phone: 908-687-5000 Fax: 908-687-5710

DRAWN	AY	8/2/13	SIZE	PART NO.	REV.
CHECKED	NP	8/2/13	X	EBHA-XX-C	-
APPROVED			REF:	S00067C	SHEET 1 OF 1

