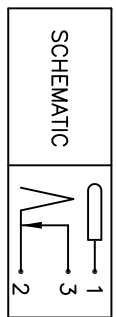
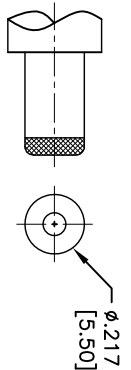
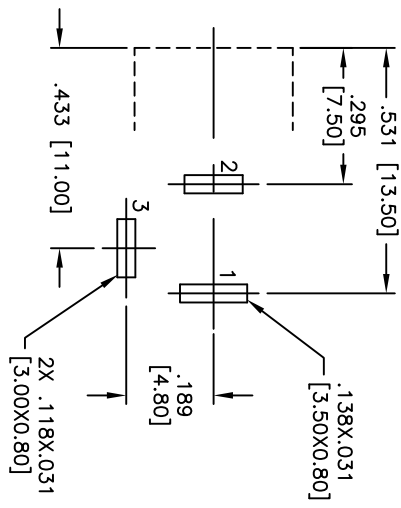
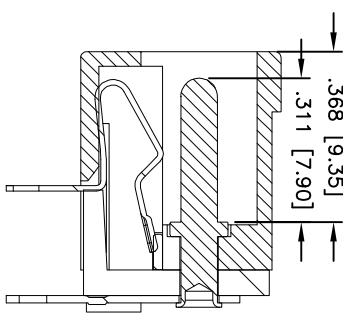
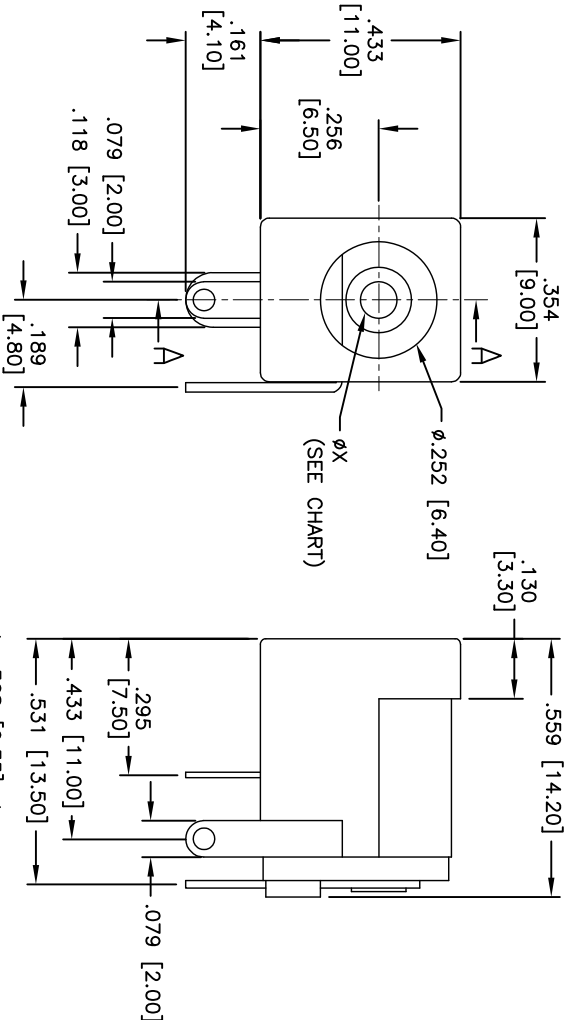


APPROVED: _____
 DATE: _____ TITLE: _____

Rev	AWO #	Description	Date	Appr
-		RELEASED	12/10/04	
A		REDESIGNED	6/1/06	
B		REVISED SPEC.	11/17/11	
C		ADDED DIM.	8/8/14	AV/SC



PART NO.	CENTER PIN DIA.
ADC-002-1	.078 [2.00]
ADC-002-2	.098 [2.50]
ADC-002-5	.092 [2.35]

SPECIFICATIONS:

Material:
 Insulator: PBT, Glass reinforced, rated UL 94V-0
 Insulator color: Black
 Center Pin: Brass, Nickel plated
 Contacts: Copper Alloy
 Plating:
 Tin over Copper underplate overall

Electrical:
 Operating voltage: 20 VDC max.
 Current rating: 4 Amp max.
 Contact resistance: 30 mohms max. initial
 Insulation resistance: 100 Mohms min.
 Dielectric withstanding voltage: 500 VAC for 1 minute
 Temperature Rating:
 Operating temperature: -20°C to +70°C
Environmental:
 Lead free, RoHS compliant.

ADAM TECH

909 Railway Avenue, Union, NJ 07083
 Phone: 908-687-5000 Fax: 908-687-5710

DC POWER JACK

UNLESS OTHERWISE SPECIFIED ALL DIMENSIONS ARE INCHES [MM]	
TOLERANCES: EXCEPT AS NOTED	
INCHES	HOLES
.X ± .10	ØX ± .10
.XX ± .020	ØXXX ± .015
.XXX ± .015	ØXXX ± .010
APPROVALS	DATE
DRAWN SS	10/4/04
CHECKED	
APPROVED	

TITLE		PART NO.		REV.
DC POWER JACK		ADC-002-X		C
SIZE	PART NO.	SCALE	SHEET	OF
X	ADC-002-X	MKS	1	1
REF:	S0002C			

