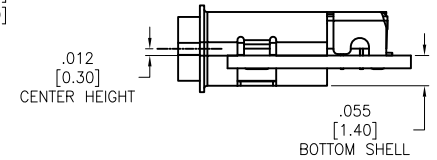
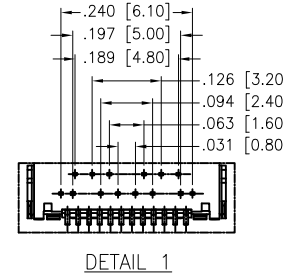
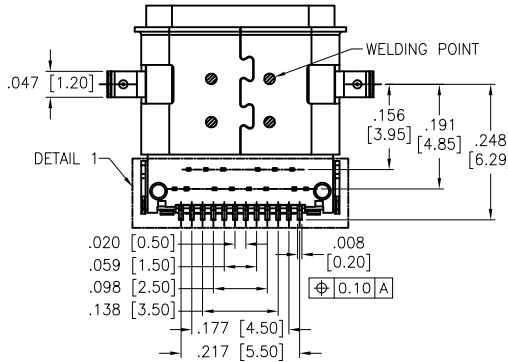
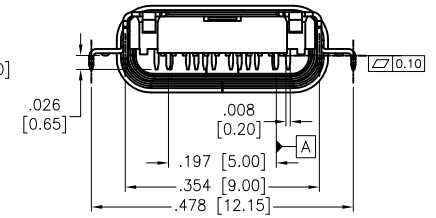
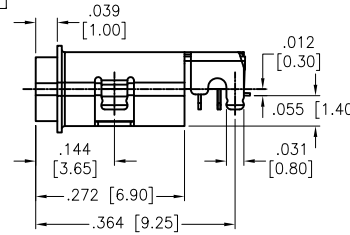
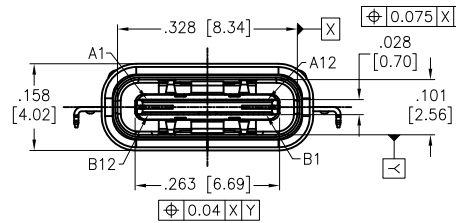
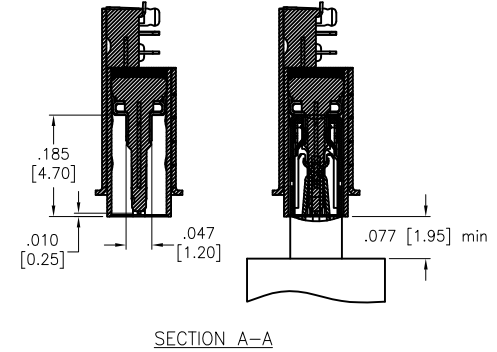
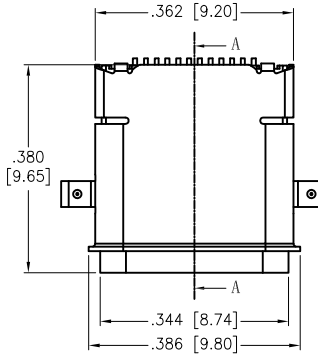


APPROVED: \_\_\_\_\_  
 DATE: \_\_\_\_\_ TITLE: \_\_\_\_\_

Rev	AWO #	Description	Date	Appr
-		RELEASED	9/29/17	
A		ADDED DIM.	4/13/18	AY/CK
B		UPDATE DIM.	4/12/22	WX/RC

Pin	Signal Name	Mating Sequence	Pin	Signal Name	Mating Sequence
A1	GND	First	B12	GND	First
A2	SSTXp1	Second	B11	SSRXp1	Second
A3	SSTXn1	Second	B10	SSRXn1	Second
A4	V <sub>BUS</sub>	First	B9	V <sub>BUS</sub>	First
A5	CC1	Second	B8	SBU2	Second
A6	Dp1	Second	B7	Dn2	Second
A7	Dn1	Second	B6	Dp2	Second
A8	SBU1	Second	B5	CC2	Second
A9	V <sub>BUS</sub>	First	B4	V <sub>BUS</sub>	First
A10	SSRXn2	Second	B3	SSTXn2	Second
A11	SSRXp2	Second	B2	SSTXp2	Second
A12	GND	First	B1	GND	First
SHELL	GND		SHELL	GND	



**SPECIFICATIONS:**

**Material:**  
 Insulator: Hi-temp thermoplastic, rated UL 94V-0  
 Insulator color: Black  
 Contacts: Cu-Ni-Si Alloy  
 MID plate: Stainless Steel  
 GND plate: Stainless Steel, Nickel plated  
 Shell: Stainless Steel, Nickel plated  
 Glue: EPOXY, Color: Black  
**Plating:**  
 Gold flash over Nickel underplate on contact area  
**Electrical:**

Current rating: 5A (Vbus 1.5A per PIN)  
 5A (GND 1.25A per PIN)  
 0.25A/PIN (Other)

Low level Contact resistance: 40 mohms max. (Initial)  
 50 mohms max. (After)

Insulation resistance: 100 Mohms min. @ 250 VDC  
 Dielectric withstanding: 100 VAC min.

Temperature Rating:  
 Operating temperature: -40°C to +80°C

**Environmental:**

Waterproof Rating: IPX7  
 Lead free, RoHS compliant.



**PACKAGED ON TAPE & REEL**

UNLESS OTHERWISE SPECIFIED ALL DIMENSIONS ARE INCHES [MM]. TOLERANCES: EXCEPT AS NOTED

INCHES	HOLES
.X ± .10	ØX ± .10
.XX ± .020	ØXX ± .015
.XXX ± .015	ØXXX ± .010



909 Rahway Avenue,  
 Union, NJ 07083  
 Phone: 908-687-5000  
 Fax: 908-687-5710

DRAWN	HR	9/29/17
CHECKED	CK	9/29/17
APPROVED		

TITLE UNIVERSAL SERIAL BUS, TYPE C, FEMALE,  
 SMT TYPE, EDGE HANG

THIS DRAWING CONTAINS INFORMATION THAT IS PROPRIETARY AND SHOULD NOT BE USED WITHOUT PRIOR WRITTEN PERMISSION FROM ADAM TECH

SIZE X	PART NO. USB-C31-S-RA-EH-WP-BK-CS3-HF-T/R	REV. B
REF: S00097C	SCALE: NTS	SHEET 1 OF 2

6

5

4

3

2

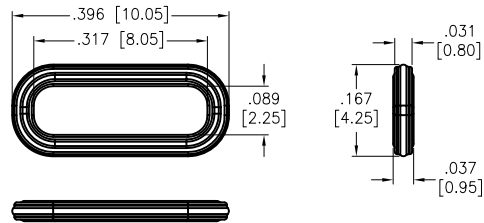
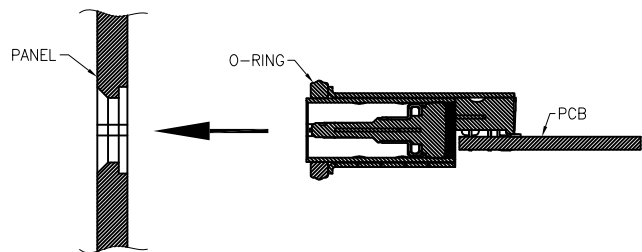
1

APPROVED: \_\_\_\_\_

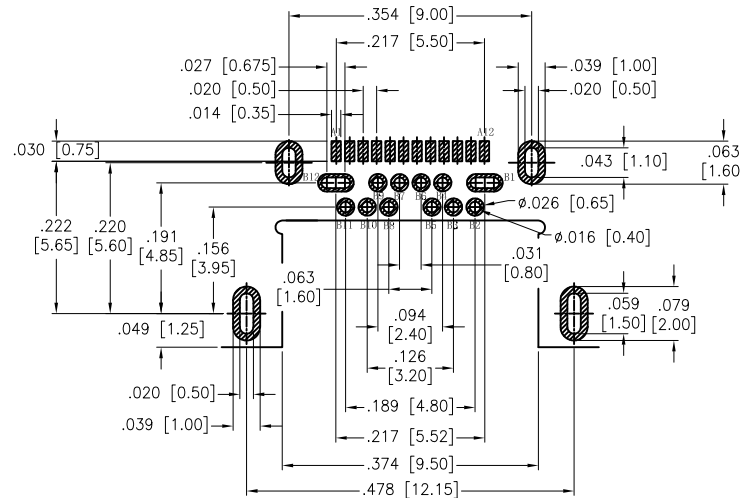
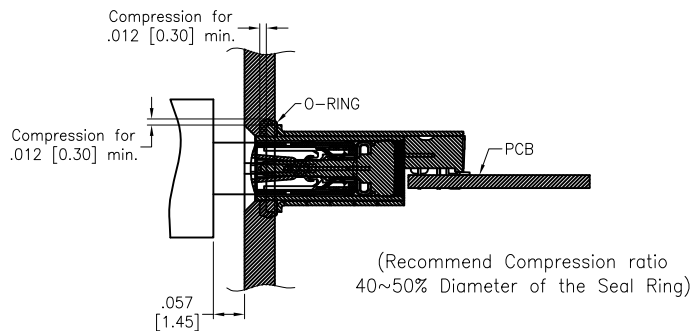
DATE: \_\_\_\_\_ TITLE: \_\_\_\_\_

Rev	AWO #	Description	Date	Appr
-----	-------	-------------	------	------

SEE SHT 1 OF 2 FOR REVISION



O-RING



RECOMMENDED PCB LAYOUT

UNLESS OTHERWISE SPECIFIED ALL DIMENSIONS ARE INCHES [MM]. TOLERANCES: EXCEPT AS NOTED

INCHES	Holes
.X ± .10	ØX ± .10
.XX ± .020	ØXX ± .015
.XXX ± .015	ØXXX ± .010

DRAWN	HR	9/29/17
CHECKED	CK	9/29/17
APPROVED		

THIS DRAWING CONTAINS INFORMATION THAT IS PROPRIETARY AND SHOULD NOT BE USED WITHOUT PRIOR WRITTEN PERMISSION FROM ADAM TECH

**ADAM TECH** 909 Rahway Avenue, Union, NJ 07083  
 Phone: 908-687-5000 Fax: 908-687-5710

TITLE	UNIVERSAL SERIAL BUS, TYPE C, FEMALE, SMT TYPE, EDGE HANG
SIZE	X
PART NO.	USB-C31-S-RA-EH-WP-BK-CS3-HF-T/R
REV.	B
REF:	S00097C
SCALE:	NTS
SHEET:	2 OF 2

6

5

4

3

2

1