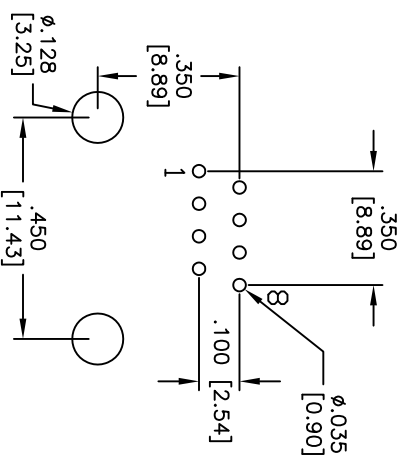
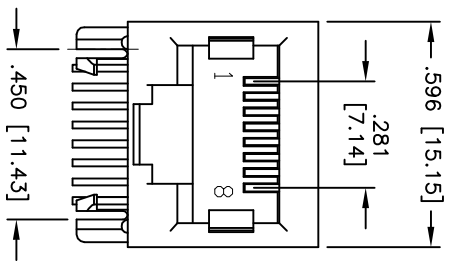
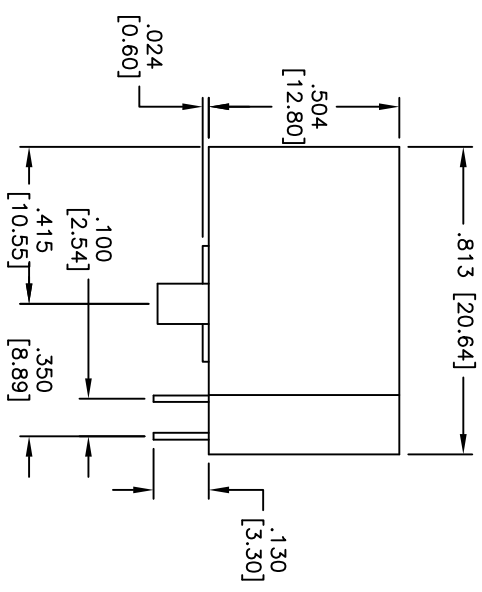
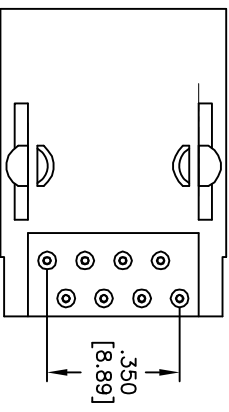


APPROVED: \_\_\_\_\_ TITLE: \_\_\_\_\_  
 DATE: \_\_\_\_\_



Recommended PCB Layout

**SPECIFICATIONS:**

Material: Insulator: PBT, rated UL 94V-0  
 Insulator color: Black  
 Contacts: Phosphor Bronze

Plating: Gold over Nickel underplate on contact area, Tin over Copper underplate on PCB tails, (See chart for thickness)

Operating voltage: 125 VAC max  
 Current rating: 1.5 Amps max

Contact resistance: 20 mohms max  
 Insulation resistance: 1000 Mohms min @ 500 VDC  
 Dielectric withstanding voltage: 1000 VAC for 1 minute  
 Temperature Rating: Operating temperature: -40°C to +85°C

Environmental: Lead free, RoHS compliant.

Rev	AWO #	Description	Date	Appr
-		RELEASED	10/4/04	
A		ADDED ROHS LOGO	02/14/06	
B		REVISED SHAPE	2/11/09	
C		REDRAWN	10/27/10	

X	PLATING
0	15 µin Gold
1	30 µin Gold
2	50 µin Gold

**ADAM TECH**

909 Railway Avenue, Union, NJ 07083  
 Phone: 908-687-5000 Fax: 908-687-5710

MODULAR TELEPHONE JACK, 8P8C  
 RIGHT ANGLE, PCB

UNLESS OTHERWISE SPECIFIED ALL DIMENSIONS ARE INCHES [MM]		TOLERANCES: EXCEPT AS NOTED INCHES		HOLE SIZE		DATE	
X	± .10	ØX	± .10	ØXXX	± .015		
.XX	± .020	ØXXX	± .015	XXX	± .015		
APPROVALS							
DRAWN	SS			DATE	10/4/04		
CHECKED							
APPROVED							
SIZE	PART NO.	REF:	SCALE:	SHEET	REV.		
X	MTJ-88GX1	S00009C	NTS	1 OF 1	C		

6 5 4 3 2 1

6 5 4 3 2 1