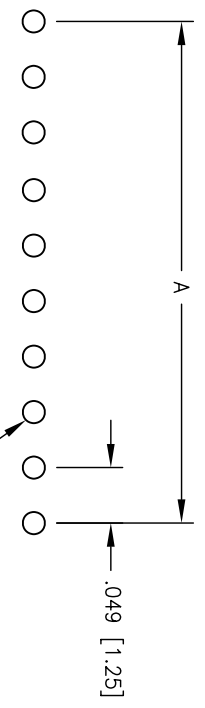
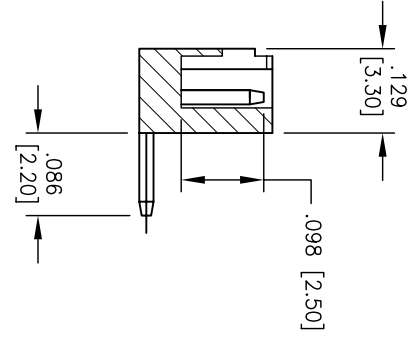
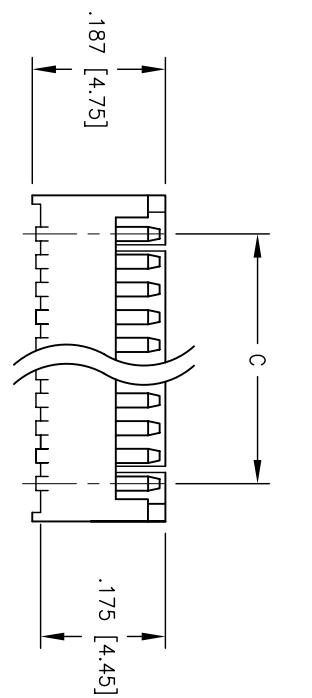
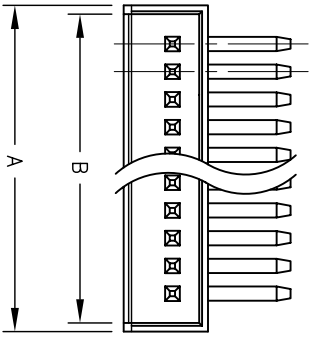


Rev	AWO #	Description	Date	Appr
-		RELEASED	12/11/06	

APPROVED: _____
 DATE: _____ TITLE: _____



RECOMMENDED
 PCB LAYOUT
 PCB THICKNESS .031 [0.8mm]



CIRCUITS	DIM A	DIM B	DIM C
2	.167 [4.25]	.120 [3.05]	.049 [1.25]
3	.216 [5.50]	.169 [4.30]	.098 [2.50]
4	.265 [6.75]	.218 [5.55]	.147 [3.75]
5	.314 [8.00]	.267 [6.80]	.196 [5.00]
6	.364 [9.25]	.316 [8.05]	.246 [6.25]
7	.413 [10.50]	.366 [9.30]	.295 [7.50]
8	.462 [11.75]	.415 [10.56]	.344 [8.75]
9	.511 [13.00]	.464 [11.80]	.393 [10.00]
10	.561 [14.25]	.513 [13.05]	.442 [11.25]
11	.610 [15.50]	.562 [14.30]	.492 [12.50]
12	.659 [16.75]	.612 [15.55]	.541 [13.75]
13	.708 [18.00]	.661 [16.80]	.590 [15.00]
14	.757 [19.25]	.710 [18.05]	.639 [16.25]
15	.807 [20.50]	.759 [19.30]	.688 [17.50]

SPECIFICATIONS:

Material: Nylon 46, rated UL 94V-0
 Insulator color: Black
 Contacts: Brass
 Plating: Tin over Nickel underplate overall

Electrical:

Operating voltage: 250 VAC max
 Current rating: 1 Amps max
 Contact resistance: 20 mohms max
 Insulation resistance: 500 Mohms min
 Dielectric withstanding voltage: 500 VAC for 1 minute
 Temperature Rating: Operating temperature: -25°C to +85°C
 Environmental: Lead free, RoHS compliant.
 Recommended soldering temp: 260° for 5 sec.



UNLESS OTHERWISE SPECIFIED
 ALL DIMENSIONS ARE MILLIMETERS
 TOLERANCES: EXCEPT AS NOTED
 .X ± .30
 .XX ± .20

ADAM TECH
 909 Rahway Avenue, Union, NJ 07083
 Phone: 908-687-5000 Fax: 908-687-5710

APPROVALS		DATE
DRAWN	BW	12/11/06
CHECKED		
APPROVED		

TITLE	1.25mm WAFER DIP RIGHT ANGLE		
SIZE	PART NO.		REV.
X	125SH-A-XX-TR		A
REF:	SCALE: NTS	SHEET 1 OF 1	