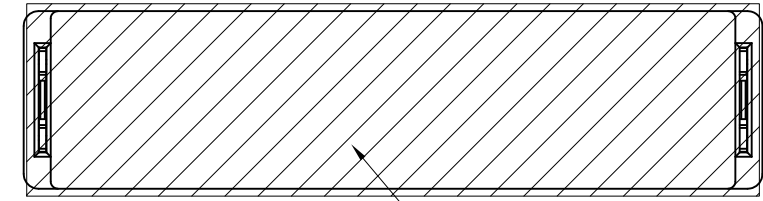
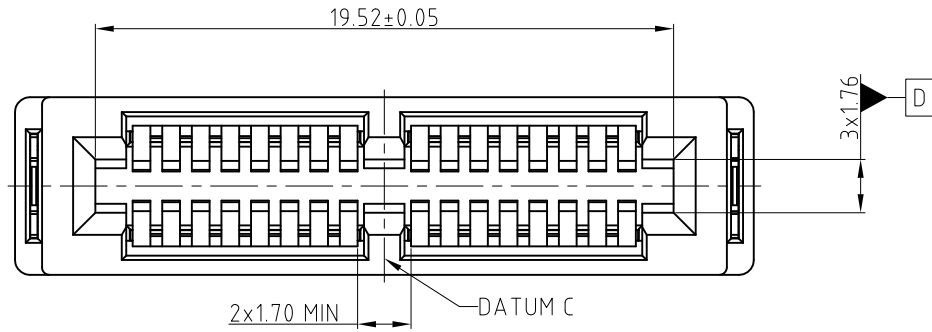


This document is the property of Amphenol Corporation and is delivered on the express condition that it is not to be disclosed, reproduced or used, in whole or in part, for manufacture or sale by anyone other than Amphenol Corporation without its prior consent, & that no right is granted to disclose or to use any information in this document.

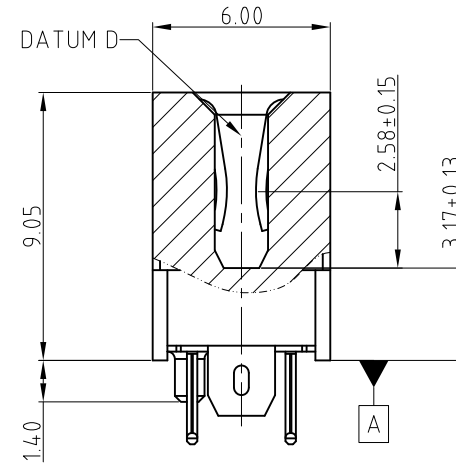
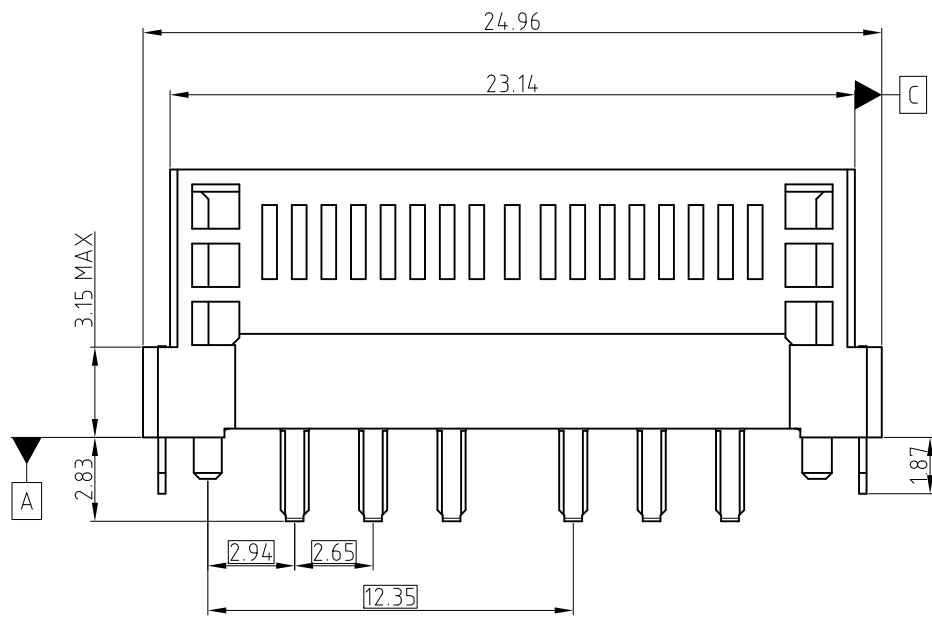
CUSTOMER DRAWING

REVISIONS

SYM	ECN	DESCRIPTION	DATE	APPROVED
1	CDXXXX	PROPOSAL	Nov.26,2019	YH
1	CD1997	OFFICIAL RELEASE	Nov.26,2019	YH

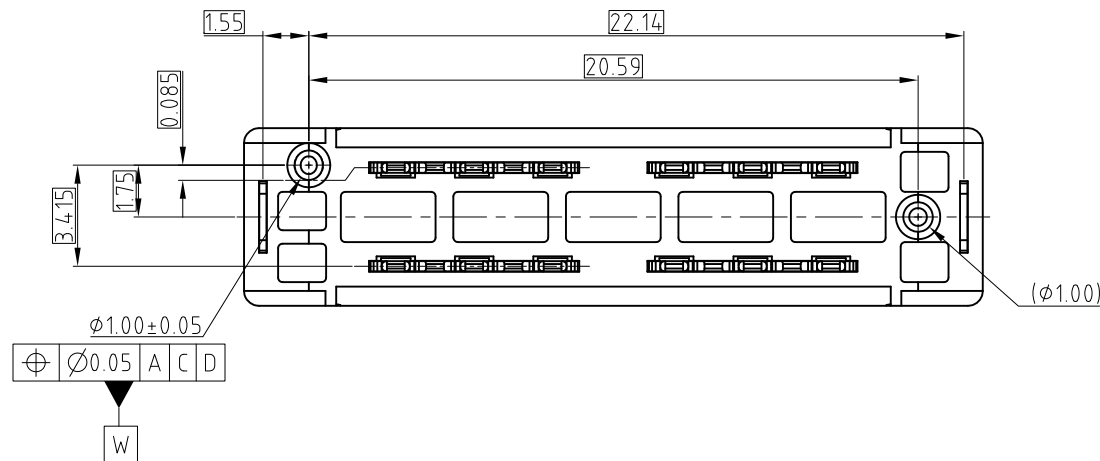


MYLAR (OPTIONAL)



NOTE:

- MATERIAL:
HOUSING: HIGH TEMPERATURE THERMOPLASTIC, BLACK, UL94-V0
CONTACT: COPPER ALLOY
BOARDLOCK: COPPER ALLOY
- FINISHED:
CONTACT: MATING AREA: 0.76 um MIN Au THICKNESS PLATED
OVER 1.27-2.54 um NICKEL UNDERPLATED
SOLDER AREA: 1.27 um MIN TIN OVER 1.27-2.54 um NICKEL UNDERPLATED
BOARDLOCK: 1.27 um MIN TIN OVER 1.27-2.54 um NICKEL UNDERPLATED
- ELECTRICAL PERFORMANCE:
RATED CURRENT: UP TO 55A THROUGH THE HIGH POWER PORT.
INSULATION RESISTANCE: 1000MΩ MIN
- DURABILITY: 200 CYCLES.
- MATERIAL IS FULFILLED RoHS & HALOGEN FREE.
- ORDER P/N: ME10000401P0011



⊕	Ø0.05	A	C	D
---	-------	---	---	---



UNLESS OTHERWISE SPECIFIED TOLERANCES	
U.S.	METRIC
.X +/-	0.50
.XX +/-	0.25
.XXX +/-	0.15
FRACTIONS +/-	5°
ANGLES +/-	

APPROVAL		DATE
DRAWN	Yunx.liu	Nov.26,2019
CHECKED	LY.YI	Nov.26,2019
APPROVED		
DRAWING FILE :		
INTERNAL\ME\CME10000401P0011		
ANGLE OF PROJECTION		

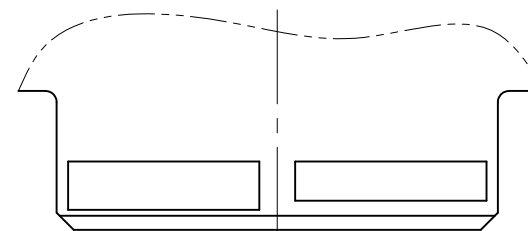
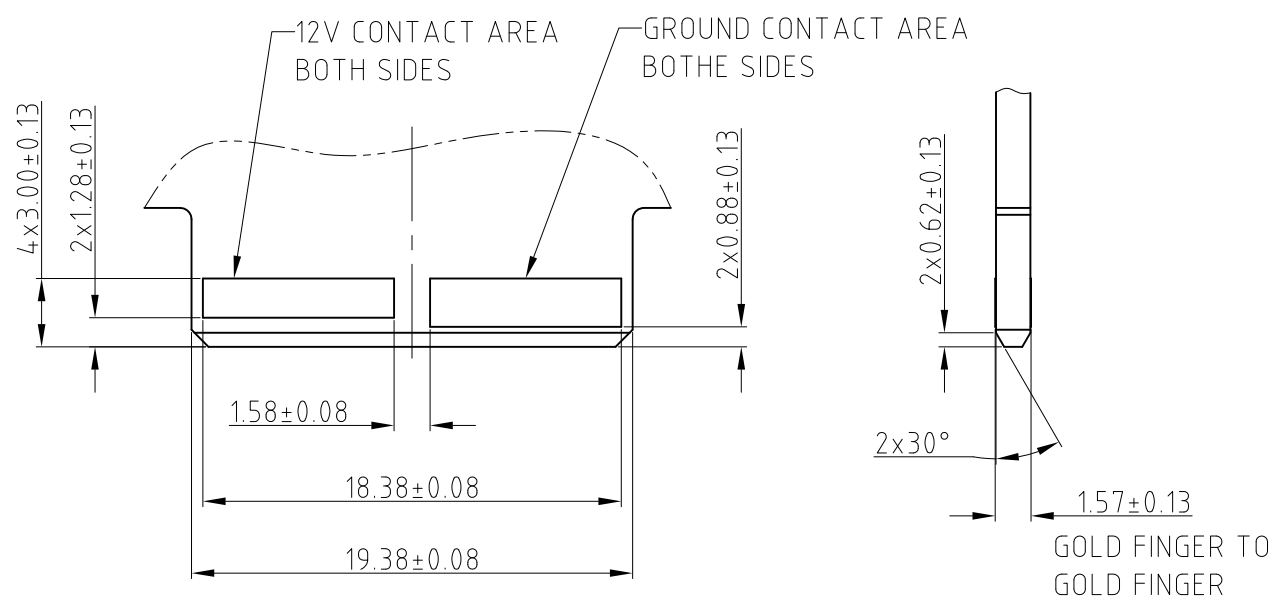
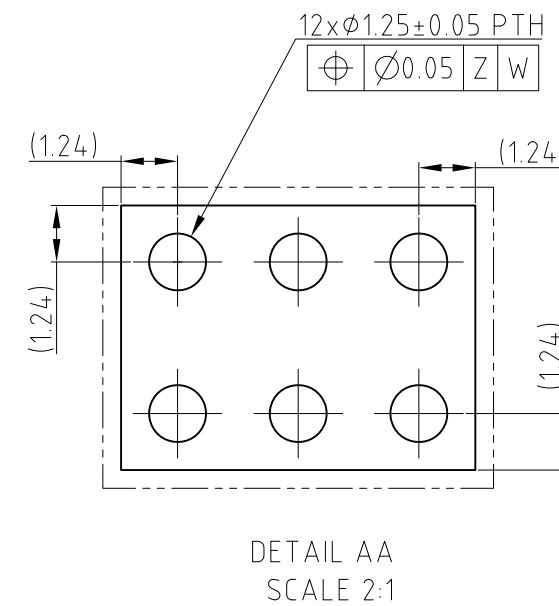
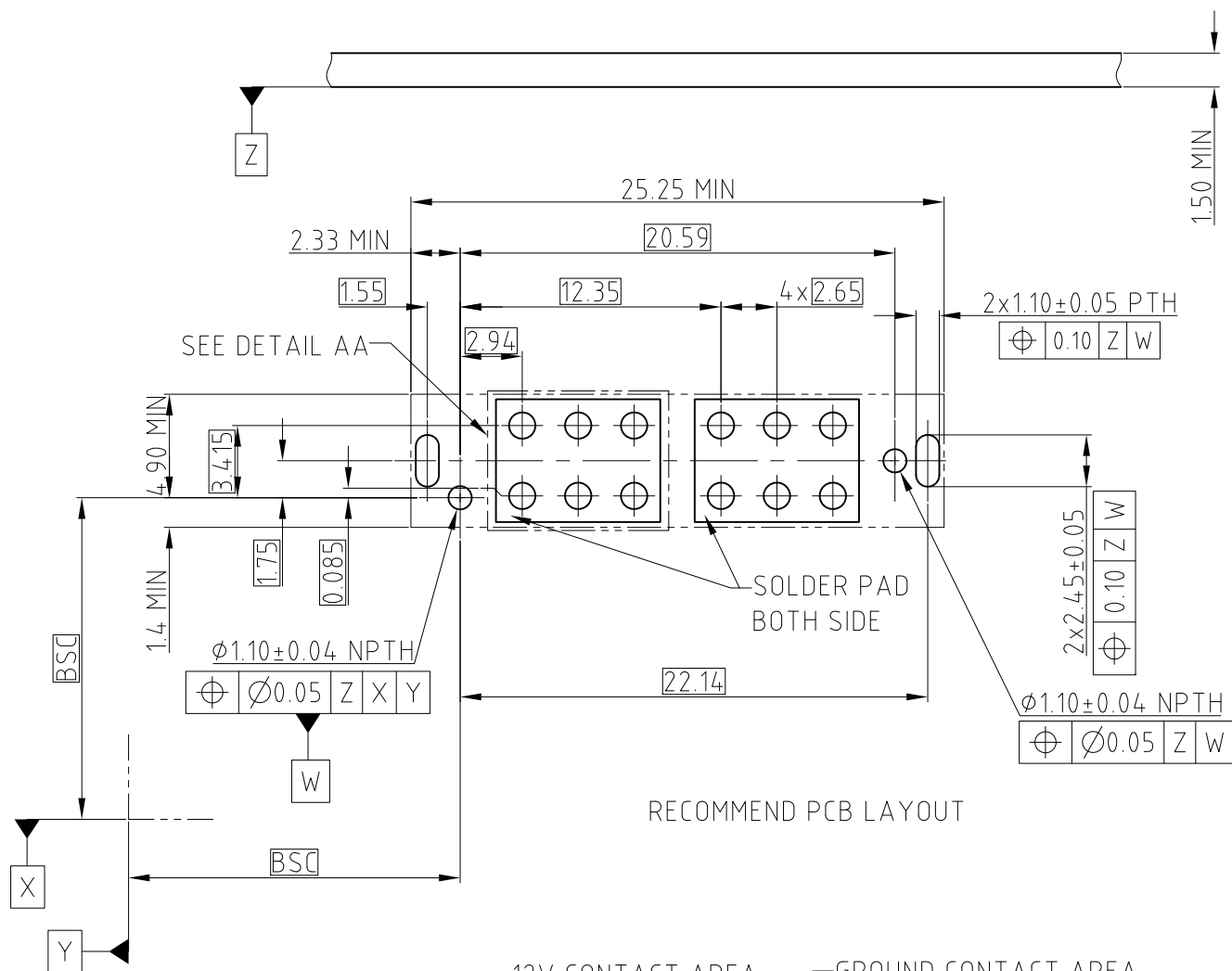
Amphenol		
TITLE		
MINI COOL EDGE 12PIN V/T HIGH POWER CONNECTOR		
SIZE	DRAWING NO.	REV.
A3	C ME10000401P0011	1
SCALE	NONE	SHEET 1 OF 3

This document is the property of Amphenol Corporation and is delivered on the express condition that it is not to be disclosed, reproduced or used, in whole or in part, for manufacture or sale by anyone other than Amphenol Corporation without its prior consent, & that no right is granted to disclose or to use any information in this document.

CUSTOMER DRAWING

REVISIONS

SYM	ECN	DESCRIPTION	DATE	APPROVED
		SEE SHEET 1		

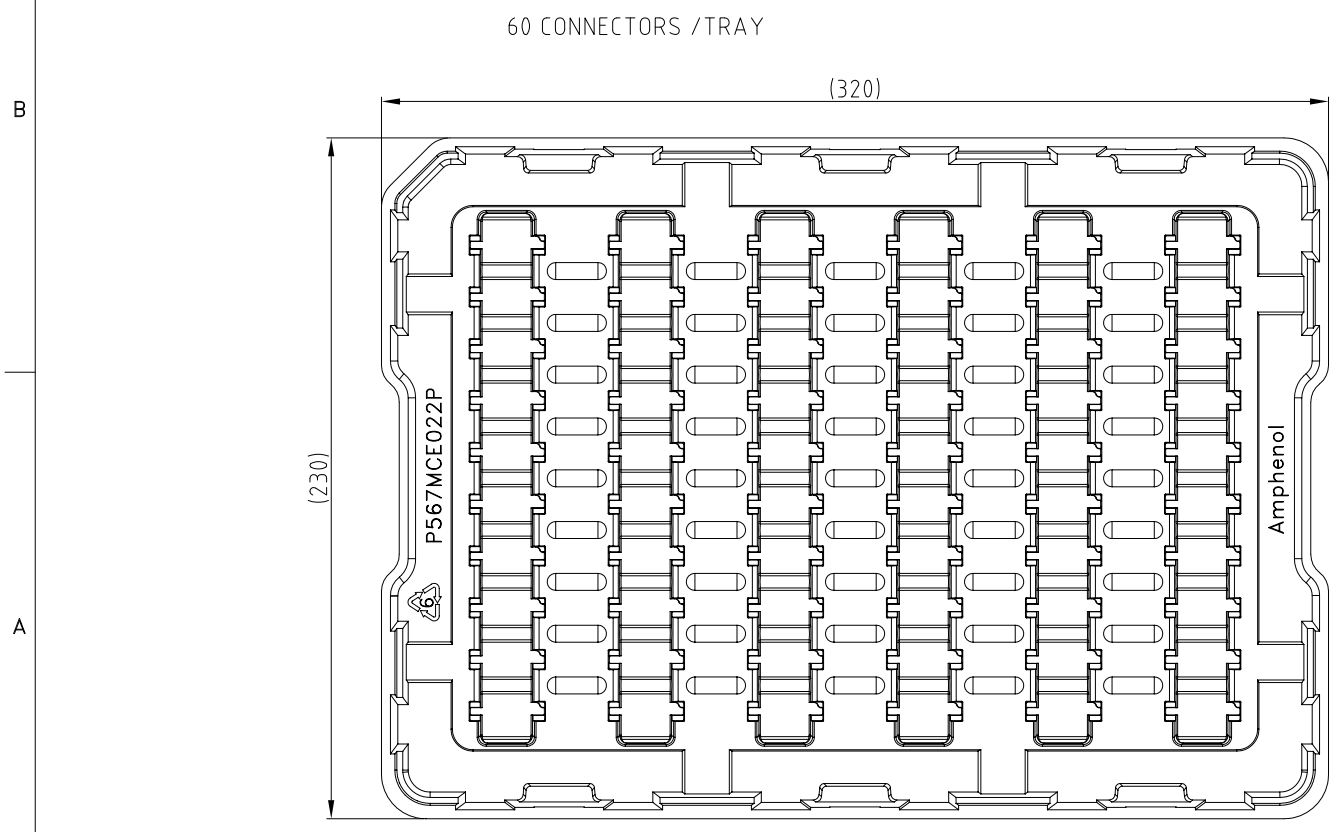
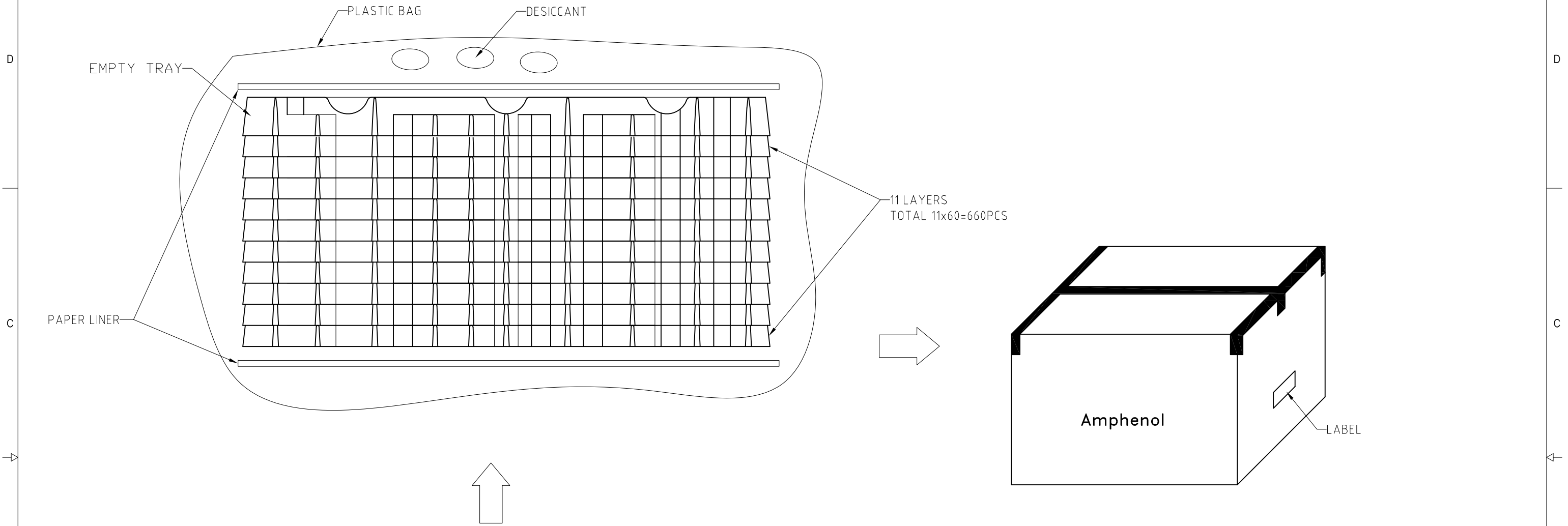


UNLESS OTHERWISE SPECIFIED TOLERANCES		APPROVAL	DATE	Amphenol	
.X	+/-	DRAWN	Yunx.liu		
.XX	+/-	CHECKED	LY.YI	Nov.26,2019	TITLE MINI COOL EDGE 12PIN V/T HIGH POWER CONNECTOR
.XXX	+/-	APPROVED			
FRACTIONS	+/-	DRAWING FILE :		SIZE	DRAWING NO.
ANGLES	+/-	INTERNAL\ME\CME10000401P0011		A3	C ME10000401P0011
FOR MATERIALS AND FINISHES SEE NOTES		ANGLE OF PROJECTION		SCALE	NONE
REMOVE SHARP EDGES				REV. 1	
DIMENSIONS				SHEET 2 OF 3	
—U.S.—	INCHES				
(METRIC)	(mm)				

This document is the property of Amphenol Corporation and is delivered on the express condition that it is not to be disclosed, reproduced or used, in whole or in part, for manufacture or sale by anyone other than Amphenol Corporation without its prior consent, & that no right is granted to disclose or to use any information in this document.

CUSTOMER DRAWING

REVISIONS				
SYM	ECN	DESCRIPTION	DATE	APPROVED
		SEE SHEET 1		



60 CONNECTORS / TRAY

660PCS / CARTON



UNLESS OTHERWISE SPECIFIED TOLERANCES		APPROVAL		DATE		Amphenol	
U.S. METRIC		DRAWN	Yunx.liu	Nov.26,2019			
.X +/-		CHECKED	Ly.yi	Nov.26,2019		TITLE	
.XX +/-		APPROVED				MINI COOL EDGE 12PIN V/T	
.XXX +/-	SEE SHEET 1	DRAWING FILE :				HIGH POWER CONNECTOR	
FRACTIONS +/-		INTERNAL\ME\CME10000401P0011				SIZE	DRAWING NO.
ANGLES +/-		ANGLE OF PROJECTION				A3	C ME10000401P0011
FOR MATERIALS AND FINISHES SEE NOTES		REMOVE SHARP EDGES				SCALE	NONE
DIMENSIONS						SHEET 3 OF 3	
— U.S. —	— INCHES —					REV.	1
(METRIC)	(MM)						