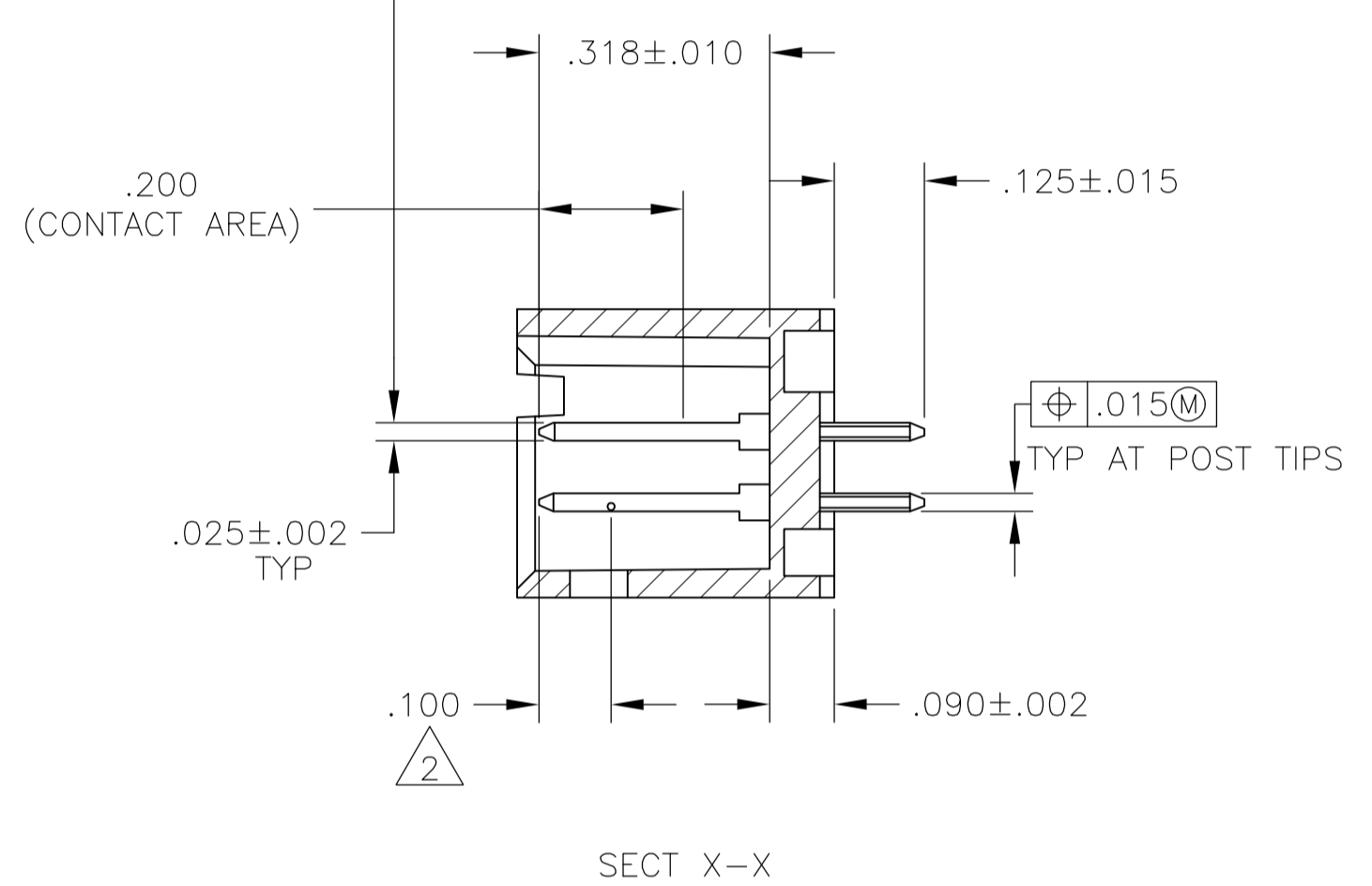
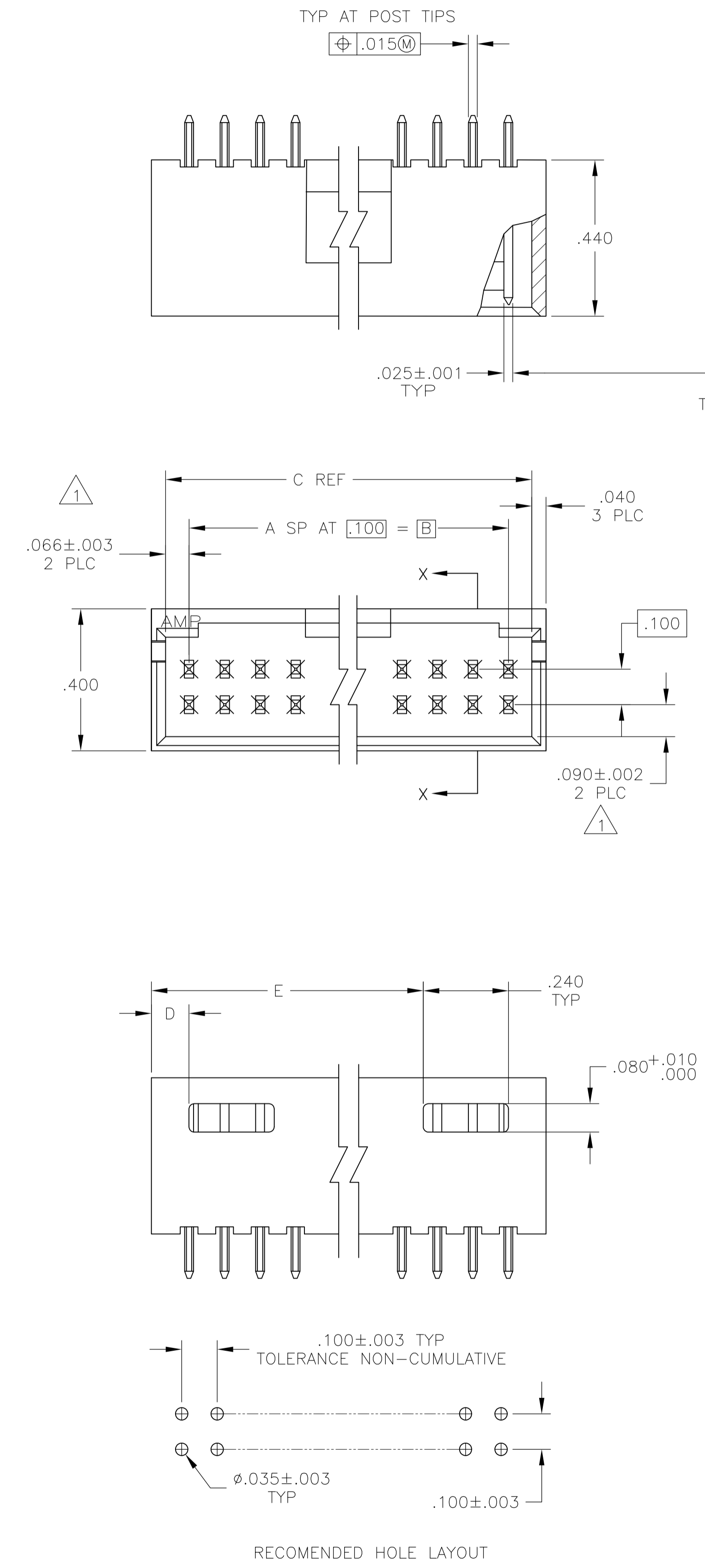


LOC		DIST		REVISIONS			
AD	00	REV	PER	ECO	NO	DATE	BY
L2	REVISED	PER	ECO-11-004587			11MAR11	RK HMR

- 1 THE NOTED DIMENSIONS APPLY AT THE INTERSECTION OF THE POST AND HOUSING
- 2 POINT OF MEASUREMENT FOR PLATING THICKNESS
- 3 FINISH: POSTS:.000015 GOLD IN CONTACT AREA, .000100-.000200 MATTE TIN-LEAD ON SOLDER TAIL, ALL OVER .000050 NICKEL
- 4 FINISH: POSTS:.000015 GOLD IN CONTACT AREA, .000100-.000200 MATTE TIN ON SOLDER TAIL, ALL OVER .000050 NICKEL
- 5 MATERIALS: HOUSING- FLAME RETARDANT THERMOPLASTIC, COLOR-BLACK
POSTS- PHOS BRONZE
- 6 OBSOLETE PARTS: OBSOLETE CIS STREAMLINING PER D.RENAUD/D.SINISI



REV	DESCRIPTION	DATE	BY	CHK	APPV	NO. OF POSN	ASSEMBLY PART NUMBER
8	102618-5					36	8-102618-5
8	102618-4					35	8-102618-4
8	102618-3					34	8-102618-3
8	102618-2					33	8-102618-2
8	102618-1					32	8-102618-1
8	102618-0					31	8-102618-0
7	102618-9					30	7-102618-9
7	102618-8					29	7-102618-8
7	102618-7					28	7-102618-7
7	102618-6					27	7-102618-6
7	102618-5					26	7-102618-5
7	102618-4					25	7-102618-4
7	102618-3					24	7-102618-3
7	102618-2					23	7-102618-2
7	102618-1					22	7-102618-1
7	102618-0					21	7-102618-0
6	102618-9					20	6-102618-9
6	102618-8					19	6-102618-8
6	102618-7					18	6-102618-7
6	102618-6					17	6-102618-6
6	102618-5					16	6-102618-5
6	102618-4					15	6-102618-4
6	102618-3					14	6-102618-3
6	102618-2					13	6-102618-2
6	102618-1					12	6-102618-1
6	102618-0					11	6-102618-0
5	102618-9					10	5-102618-9
5	102618-8					9	5-102618-8
5	102618-7					8	5-102618-7
5	102618-6					7	5-102618-6
5	102618-5					6	5-102618-5
5	102618-4					5	5-102618-4
5	102618-3					4	5-102618-3
5	102618-2					3	5-102618-2
5	102618-1					2	5-102618-1
3	102618-5					36	3-102618-5
3	102618-4					35	3-102618-4
3	102618-3					34	3-102618-3
3	102618-2					33	3-102618-2
3	102618-1					32	3-102618-1
3	102618-0					31	3-102618-0
2	102618-9					30	2-102618-9
2	102618-8					29	2-102618-8
2	102618-7					28	2-102618-7
2	102618-6					27	2-102618-6
2	102618-5					26	2-102618-5
2	102618-4					25	2-102618-4
2	102618-3					24	2-102618-3
2	102618-2					23	2-102618-2
2	102618-1					22	2-102618-1
2	102618-0					21	2-102618-0
1	102618-9					20	1-102618-9
1	102618-8					19	1-102618-8
1	102618-7					18	1-102618-7
1	102618-6					17	1-102618-6
1	102618-5					16	1-102618-5
1	102618-4					15	1-102618-4
1	102618-3					14	1-102618-3
1	102618-2					13	1-102618-2
1	102618-1					12	1-102618-1
1	102618-0					11	1-102618-0
5-102618-9						10	5-102618-9
5-102618-8						9	5-102618-8
5-102618-7						8	5-102618-7
5-102618-6						7	5-102618-6
5-102618-5						6	5-102618-5
5-102618-4						5	5-102618-4
5-102618-3						4	5-102618-3
5-102618-2						3	5-102618-2
5-102618-1						2	5-102618-1
PLATING	E	D	C	B	A		

△ SUP BY 5-102618-9

THIS DRAWING IS A CONTROLLED DOCUMENT.

APPROVED: LA MAYER, 4-9-87

DATE: 4-9-87

NAME: R. FEIDT

PRODUCT SPEC: HDR ASSY, MOD II, SHROUDED, 4 SIDES, DBL ROW, VERTICAL, .100X.100 C/L, WITH .025 SQ POSTS

SIZE: A1

WEIGHT: 100779

RESTRICTED CUSTOMER

SCALE: 4:1

SHEET: 1 OF 1

REV: L2

STE TE Connectivity

Mouser Electronics

Authorized Distributor

Click to View Pricing, Inventory, Delivery & Lifecycle Information:

[TE Connectivity:](#)

[5-102618-8](#)