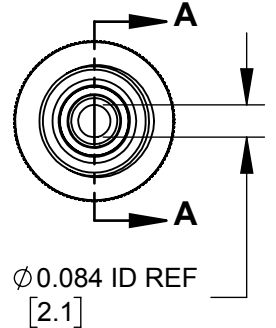
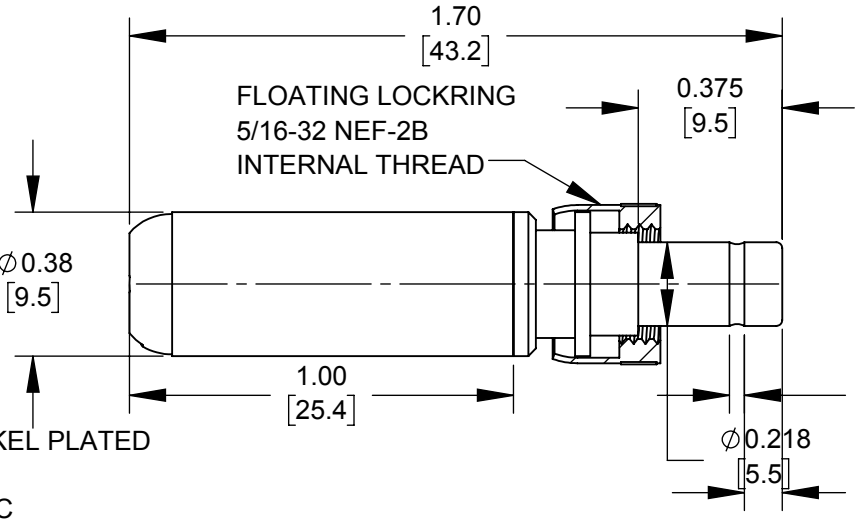
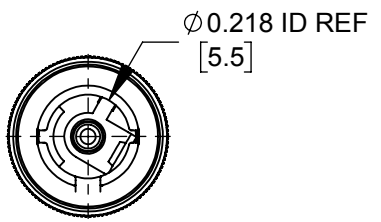
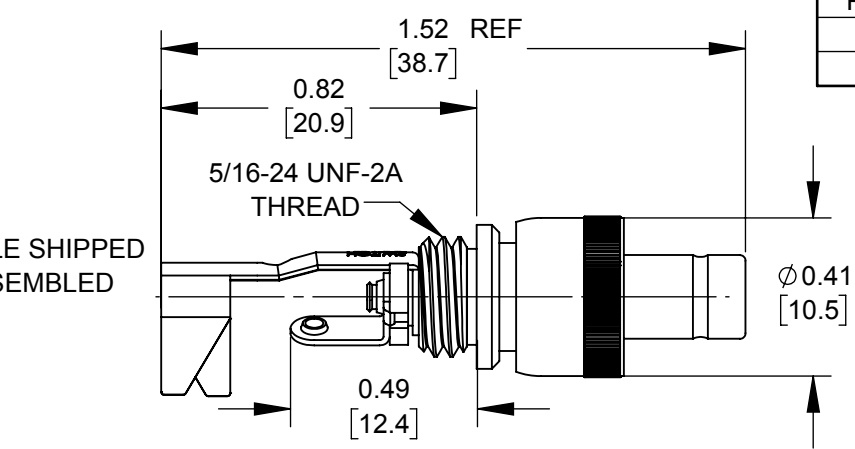


PART NUMBER	HANDLE COLOR
762KZ	BLACK
763KZ	RED



NOTES:
 1. MATERIALS:
 CONDUCTORS & LOCKRING - BRASS, NICKEL PLATED
 TERMINALS - BRASS, TIN PLATED
 INSULATORS & HANDLE - THERMOPLASTIC

2. THIS PRODUCT IS RoHS COMPLIANT

CUSTOMER DRAWING

					UNLESS OTHERWISE SPECIFIED 1. ALL DIMENSIONS IN INCHES [mm] - TWO PLACE DECIMALS ±0.02 [0.5] - THREE PLACE DECIMALS ±0.005 [0.13]
0A	FIRST DRAWN	10/24/19	AM	*	
REV	ECO NUMBER	DATE	BY	APVD	
REVISIONS					

THIS DRAWING DESCRIBES A DESIGN CONSIDERED PROPRIETARY IN NATURE, DEVELOPED AND MANUFACTURED BY SWITCHCRAFT INC. AND IS RELEASED ON A CONFIDENTIAL BASIS FOR IDENTIFICATION PURPOSES ONLY.										
SIZE	*	WIDTH	*	MULT	*	LBS/M	*	TEMPER	*	
FINISH	*					MATERIAL	*			
SPEC No.	*					SPEC No.	*			
FIRST USED ON				SCALE						
*				2:1						
DATE DRAWN	BY	CHKD	APVD							
10/24/19	AM	*	*							
NAME						PART No.		REV		
Ø0.084 [2.1]mm X 0.375 LONG IMPROVED PWR PLG W/LOCKRING, RoHS						762KZ-763KZ		0A		

Mouser Electronics

Authorized Distributor

Click to View Pricing, Inventory, Delivery & Lifecycle Information:

[Switchcraft:](#)

[762KZ](#)