

INTERCONNECTS

SERIES 800, 801, 802, 803 • .100" GRID (.040" DIA. PINS), HEADERS AND SOCKETS • SINGLE AND DOUBLE ROW STRIPS

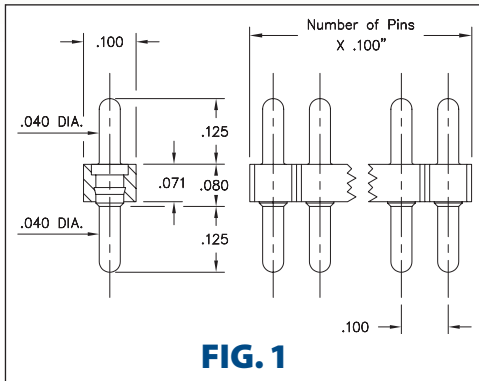


FIG. 1

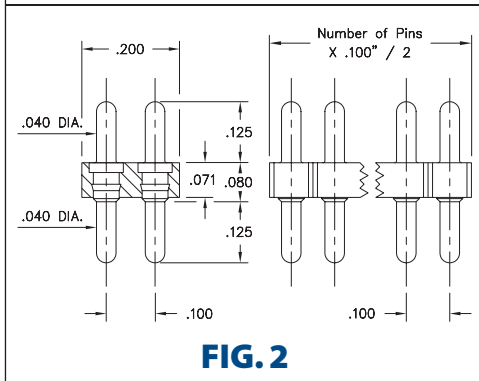


FIG. 2

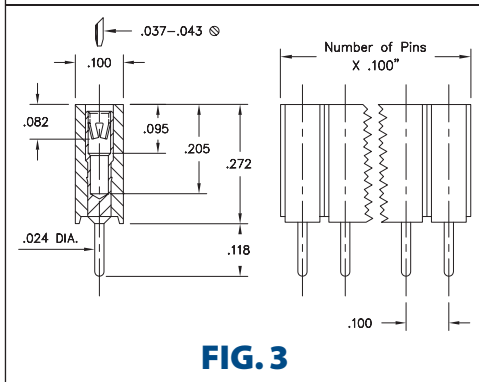


FIG. 3

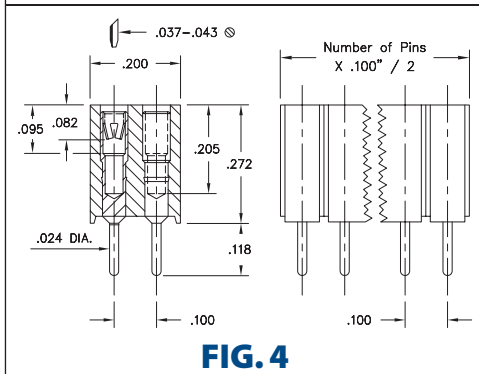
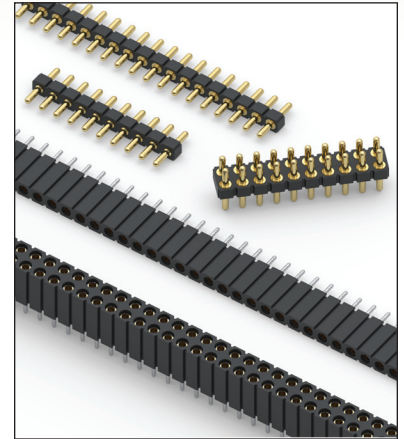


FIG. 4

- Series 800 and 802 single and double row interconnects feature sturdy .040" dia. leads (MM #3077) and low profile (.071" thick) insulator. See page 215 for details
- Series 801 and 803 single and double row sockets use MM #1313 receptacles. See page 181 for details
- Series 801 and 803 receptacles use Hi-Rel, 6-finger BeCu #18 contact rated at 8 amps. Receptacles accept .037"-.043" diameter pins. See page 257 for details
- Insulators are high temperature thermoplastic, suitable for all soldering operations



ORDERING INFORMATION

FIG. 1	Series 800...10-004	Single Row Pin Header		
	800-XX-0-10-004000	Specify number of pins: 01-50		
FIG. 2	Series 802...10-004	Double Row Pin Header		
	802-XX-10-004000	Specify number of pins: 004-100		
XX=Plating Code See Below For Electrical, Mechanical & Environmental Data, See page 264				
SPECIFY PLATING CODE XX=		10	90	40
Pin Plating		10 μ" Au	200 μ" Sn/Pb	200 μ" Sn

FIG. 3	Series 801...10-004	Single Row Socket						
	801-XX-0-10-004000	Specify number of pins: 01-50						
FIG. 4	Series 803...10-004	Double Row Socket						
	803-XX-10-004000	Specify number of pins: 004-100						
XX=Plating Code See Below For Electrical, Mechanical & Environmental Data, See page 264								
SPECIFY PLATING CODE XX=		13	91	93	99	41	43	44
Sleeve (Pin)		10 μ" Au	200 μ" Sn/Pb	200 μ" Sn/Pb	200 μ" Sn/Pb	200 μ" Sn	200 μ" Sn	200 μ" Sn
Contact (Clip)		30 μ" Au	10 μ" Au	30 μ" Au	100 μ" Sn/Pb	10 μ" Au	30 μ" Au	100 μ" Sn



Mouser Electronics

Authorized Distributor

Click to View Pricing, Inventory, Delivery & Lifecycle Information:

Mill-Max:

[800-10-001-10-004000](#) [800-10-006-10-004000](#) [800-10-002-10-004000](#) [800-10-005-10-004000](#) [800-10-014-10-004000](#) [800-10-008-10-004000](#) [800-10-012-10-004000](#) [800-10-018-10-004000](#) [800-10-040-10-004000](#) [800-40-014-10-004000](#) [802-10-008-10-004000](#) [802-10-010-10-004000](#) [802-10-004-10-004000](#)